

Available Finishes/Colors

CI30V
Black Ceramic Glass with Stainless-Steel Frame

KEY FEATURES

Black Ceramic Glass Surface

P&C ceramic cooktops have scratch-free, easy-to-clean smooth surfaces, providing clean and modern looks with a minimalist design that helps accentuate the look of any kitchen.

2 Induction Zones

Faster and Safer, magnetic waves induce heat directly in the pan for quick boiling and intense sears, leaving less heat on the surface.

Precise Control

P&C induction cooktops have touch sensitive front controls with LED indicators that are practical and allow for precise temperature settings and provide an easy-to-clean surface.

9 Power Levels & Power Boost

9 Power levels allow you to adjust the heat output of each element. Use the Power Boost and increase power, saving time to heat up pots or cook large quantities.

Residual Heat Indicators

When the cooking zone is not cool enough to touch safely, the residual heat indicators warn you with a visible red indicator on the cooktop surface.

Automatic Shutoff

If a cooking zone is in use for a certain period of time with no changes to the control setting, the burner will automatically turn off to prevent unsupervised heating.

GENERAL PROPERTIES

2 Zone induction cooktop

Black ceramic glass surface

Stainless-steel frame with bevelled edges

Shallow depth allows for easy install over drawer or ovens

FEATURES

2 Induction cooking zones

9 Power levels with Power Boost

Touch control panel

Count-down timer

Automatic switch-off

Smart-Pause

Residual heat indicators

Child safety lock

COOKTOP PERFORMANCE

1 x 15cm Single Zone: 1400 Watts / Power Boost: 1800 Watts

1 x 17cm Single Zone: 1800 Watts / Power Boost: 2500 Watts

TECHNICAL DETAILS

Product Dimensions (W/H/D)

11^{9/16"} / 17^{8"} / 20^{9/16"}

294mm / 47.5mm / 522mm

Cut-Out Dimensions (W/H/D)

10^{5/8"} / min. 2" / 19^{5/16"}

270mm / min. 50mm / 490mm

ELECTRICAL REQUIREMENTS

208/240 V / 60Hz / 20 Amp / 3600W

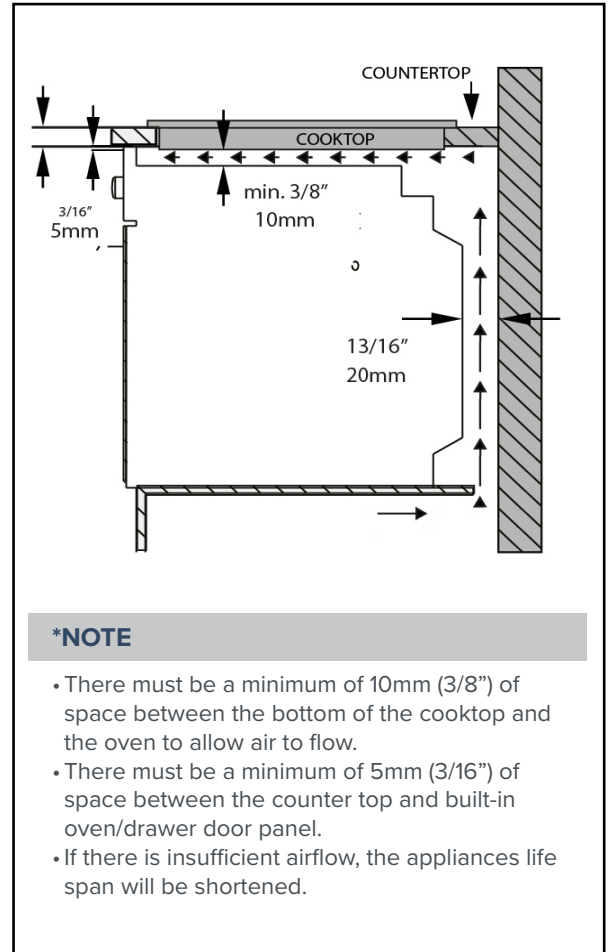
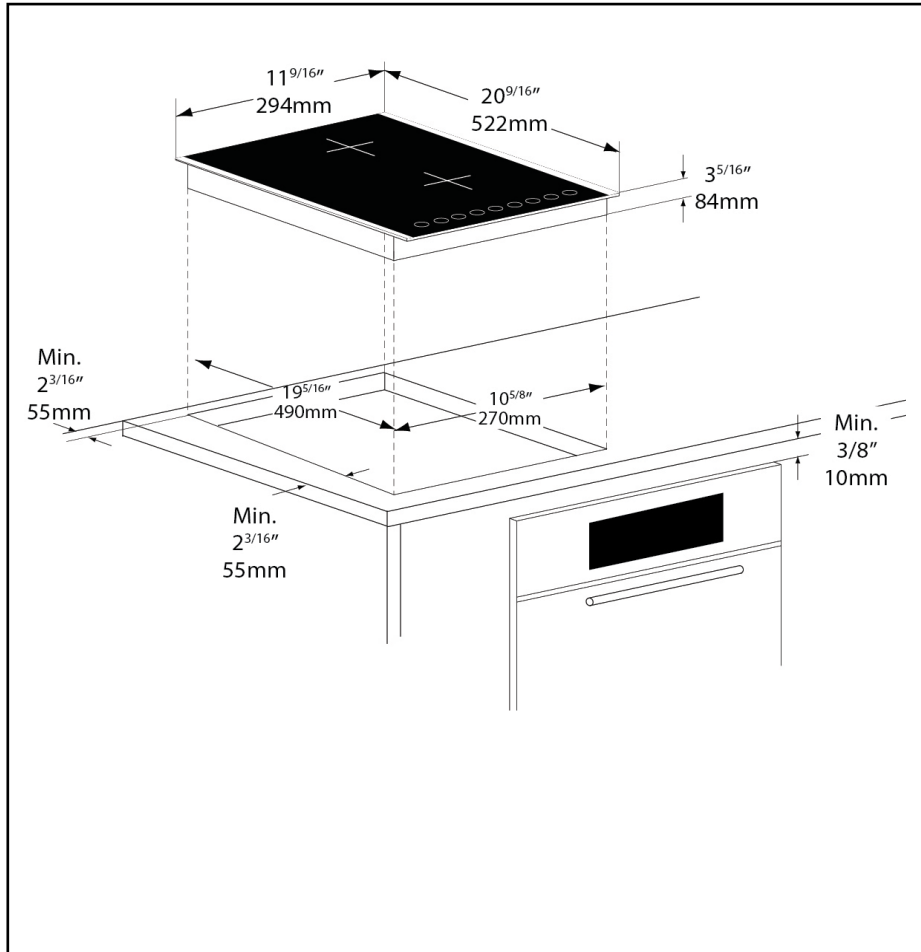
*Supplied with a 5ft long electrical cable and must be hardwired.

PRODUCT DIMENSIONS (INCH/MM)

Width: 11⁹/₁₆" / **Height:** 1⁷/₈" / **Depth:** 20⁹/₁₆"
Width: 294mm / **Height:** 47.5mm / **Depth:** 522mm

CUT-OUT DIMENSIONS (INCH/MM)

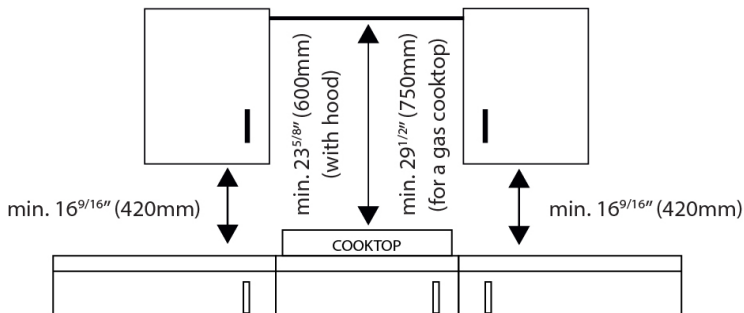
Width: 10⁵/₈" / **Height:** min. 2" / **Depth:** 19⁵/₁₆"
Width: 270mm / **Height:** min. 50mm / **Depth:** 490mm



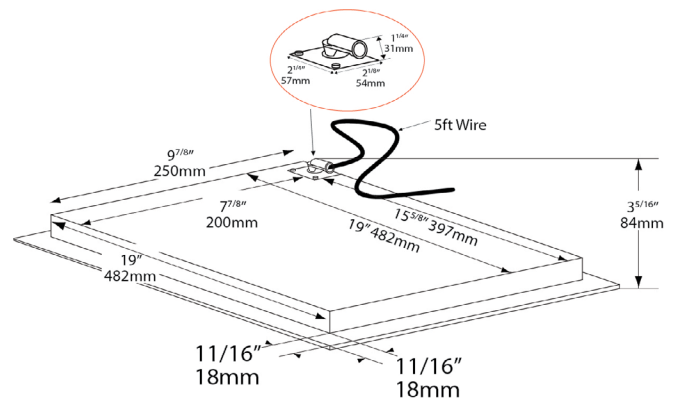
*NOTE

- There must be a minimum of 10mm (3/8") of space between the bottom of the cooktop and the oven to allow air to flow.
- There must be a minimum of 5mm (3/16") of space between the counter top and built-in oven/drawer door panel.
- If there is insufficient airflow, the appliances life span will be shortened.

RECOMMENDED CABINET MINIMUM CLEARANCE



UNDERNEATH COOKTOP DIMENSIONS





WARRANTY INFORMATION

Porter & Charles Appliances are designed and manufactured to the highest standards. Each appliance is covered by a comprehensive 2-year parts and labour warranty. Refer to product warranty policy for complete terms and conditions.

FOR PARTS & SERVICE

Euro-Parts & Service
39822 Belgrave Road, Belgrave, ON. N0G 1E0 1 866 722 2262
www.euro-parts.ca • parts@euro-parts.ca • service@euro-parts.ca

Porter & Charles appliances are imported and distributed in North America by Euro-Line Appliances Inc. For more information, please visit one of our showrooms or www.ela.ca / www.elawest.ca

EURO-LINE APPLIANCES INC.

871 Cranberry Court, Oakville, ON
L6L 6J7 Canada
905.829.3980
1-800.421.6332
info@ela.ca

EURO-LINE APPLIANCES INC.

101-1014 Homer Street, Vancouver, BC
V6B 2W9, Canada
604.235.3980
1-855.ELA.WEST (352.9378)
info@elawest.ca