

28" OVERLAY BUILT-IN FRIDGE



CODE ID

DISTINTO BUILT-IN FRIDGE

FM4BM28FBI



LED lighting



Total No Frost



Noise Level 43 (dB)



Deep-freezing



Active cooling



Integrated Installation



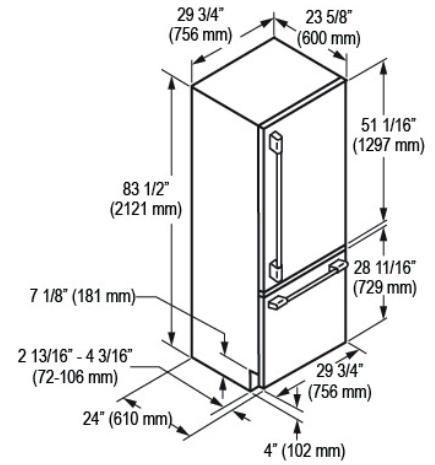
Extended Preservation Mode

SPECIFICATIONS

Contemporary European design
115°/90° opening flush hinge, allowing true integrated install
Large and legible digital display
Soft-close crisper
Soft-close large pantry drawer, adjustable temperature
Sabbath mode
Height adjustable cantilever shelves
Spill-proof glass shelves
LED lighting
Field reversible doors
3D door adjustment, for easy door panel alignment
Ultra quiet 43 dB(A)
Appliance leveling from the front

DISTINTO

28" BUILT-IN FRIDGE



CODE ID	28" BUILT-IN FRIDGE FM4BM28FBI	
Finish	Panel Ready	
PERFORMANCES/CAPACITY		
Cooling system	Dual Evaporator / Frost Free	
Control system	Electronic	
Energy Star Qualified	Yes	
Refrigerant	R600a	
Noise Level dB(A)	43	
Total net volume, cu. ft. (liters)	12.1 (342)	
Refrigerator net volume, cu. ft. (liters)	9.1 (257)	
Freezer net volume, cu. ft. (liters)	3 (85)	
FEATURES		
Fridge Compartment		
Control Display	LED	
Automatic Defrost	Yes	
Interior Lighting	LED - Side walls, ceiling	
Spill-proof Shelves	3	
Crispers	1	
Extended preservation drawer	1	
Door Bins	3 (2+1 gallon rack)	
Compressor	Variable speed with inverter (VCC)	
Fan Assisted Cooling	Yes	
Freezer		
Automatic Defrost	Yes	
Large Freezer Drawer	1	
Metal Interior Freezer Drawerer	1	
DIMENSIONS/WEIGHT		
Width	27 - 11/16"	690 mm
Height	76 - 1/4"	1937 mm
Depth	21 - 5/8"	550 mm
Product Weight	496 lbs	225 kg
RECOMMENDED PANEL DIMENSIONS		
Fridge Panel		
Height	51 - 1/16"	1297 mm
Width	29 - 3/4"	756 mm
Thickness	Min 3/4" Max 1 - 1/4"	Min 19 mm Max 32 mm
Maximum Weight	34.6 lbs	15.7 kg
Freezer Panel		
Height	28 - 11/16"	729 mm
Width	29 - 3/4"	756 mm
Thickness	Min 3/4" Max 1 - 1/4"	Min 19 mm Max 32 mm
Maximum Weight	19.4 lbs	8.8 kg
POWER / RATINGS		
Dedicated Circuit, V/Amps	120 V - 15 A	
Supply voltage, V/Hz	120 V - 60 Hz	
Rated Current, Amps	2	