

BUILT-IN FREEZER 18"

18" OVERLAY BUILT-IN FREEZER



CODE ID

F7IFC1801-R (RIGHT HINGE)

CODE ID

F7IFC1801-L (LEFT HINGE)



RIGHT HINGE



LEFT HINGE



Deep-freezing



Total No Frost



LED lighting



Integrated Installation



Holiday Mode



Ice Maker



Sabbath Mode

Features

Our overlay column freezers are both powerful, elegant and provide commercial grade performance. Custom panels can be installed to provide a completely integrated look with adjacent cabinets and feature a brilliant white aluminum interior with metal bins on full extension stainless glides. All units feature an accessory ice maker, with food preservation being the priority. Combining elegant design and commercial quality, ensures optimal food preservation performance. A dedicated compressor and evaporator provide consistent and precise temperatures throughout.

SPECIFICATIONS

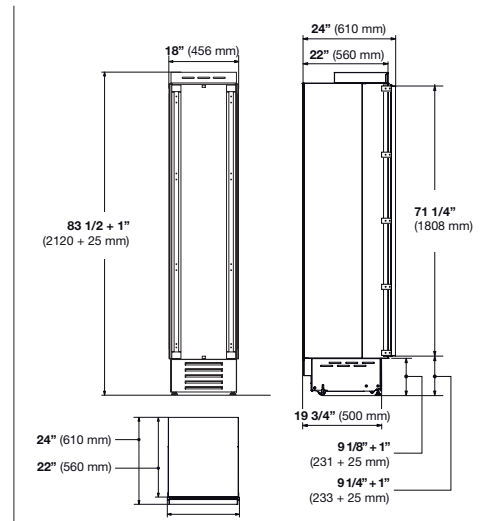
Panel Ready Exterior
Total No Frost
Height adjustable glass shelves
Metal freezer bins on stainless steel glides
Icemaker with ice tray
Luminous white interior
Multilevel LED lighting

OPTIONAL ACCESSORIES

PROFESSIONAL
Fridge Handle Kit

REFRIGERATION

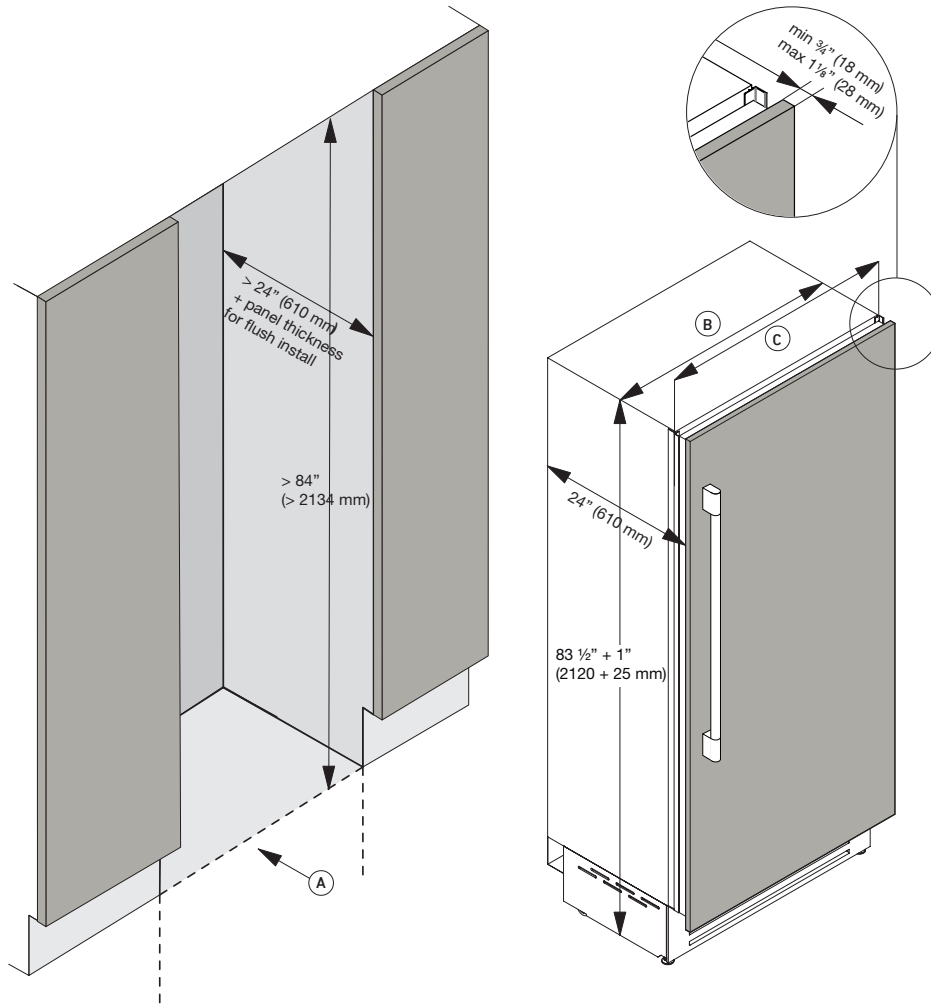
BUILT-IN FREEZER COLUMN



CODE ID		18" OVERLAY BUILT-IN FREEZER F7IFC18O1-L (LEFT HINGE) F7IFC18O1-R (RIGHT HINGE)	
Finish	Panel Ready Exterior		
PERFORMANCES/CAPACITY			
Annual Energy Usage	480 kWh/yr		
Interior capacity (cbft)	8.22		
FEATURES			
Shelves	2		
Adjustable Door Shelves	2		
Freezer Drawers	2		
LED lighting	•		
Ice Maker	•		
Ice Maker production capacity	2.2 lbs / 24 hrs		
No Frost	•		
DIMENSIONS/WEIGHT			
Width in	17 - 7/8"	456 mm	
Height in	83 - 1/2"	2120 mm	
Depth without handle in	24"	610 mm	
Minimum niche height in	84 - 1/2"	2145 mm	
Door clearance in	40 - 3/4"	1036 mm	
Door opening angle	100°		
Net Weight	282 lbs	128 kg	
POWER / RATINGS (115 V, 60 HZ)			
Watts / Amps	327W - 2.4A		
Power Cable	Nema 5-15P		
INSTRUCTIONS FOR USE			
Use & Care Manual / Installation Manual	English / French / Spanish		

BUILT-IN FREEZER 18"

NICHE SPECIFICATIONS AND DIMENSIONS



TECHNICAL DATA

(A) Niche Width	18" (457 mm)
(B) Unit Width	17" 1/4 (437 mm)
(C) Unit Width with lateral frames	18" (457 mm)

ELECTRICAL AND WATER CONNECTIONS

