



Dutch Design. Global Ingenuity.

Distinctive Gas and Induction
Cooktops for Virtually Any Countertop



Tulip Cooking



Countertop cooking with uncompromising quality and style.

Welcome to Tulip Cooking. Here you'll discover a full spectrum of exceptional gas and induction cooktop systems, made for seamless integration into virtually any countertop.

With a signature mix of dramatic style, impeccable craftsmanship, and innovative technology, our products bring creativity to the discerning kitchen—helping home chefs express their passion for cooking in the most personalized way possible.

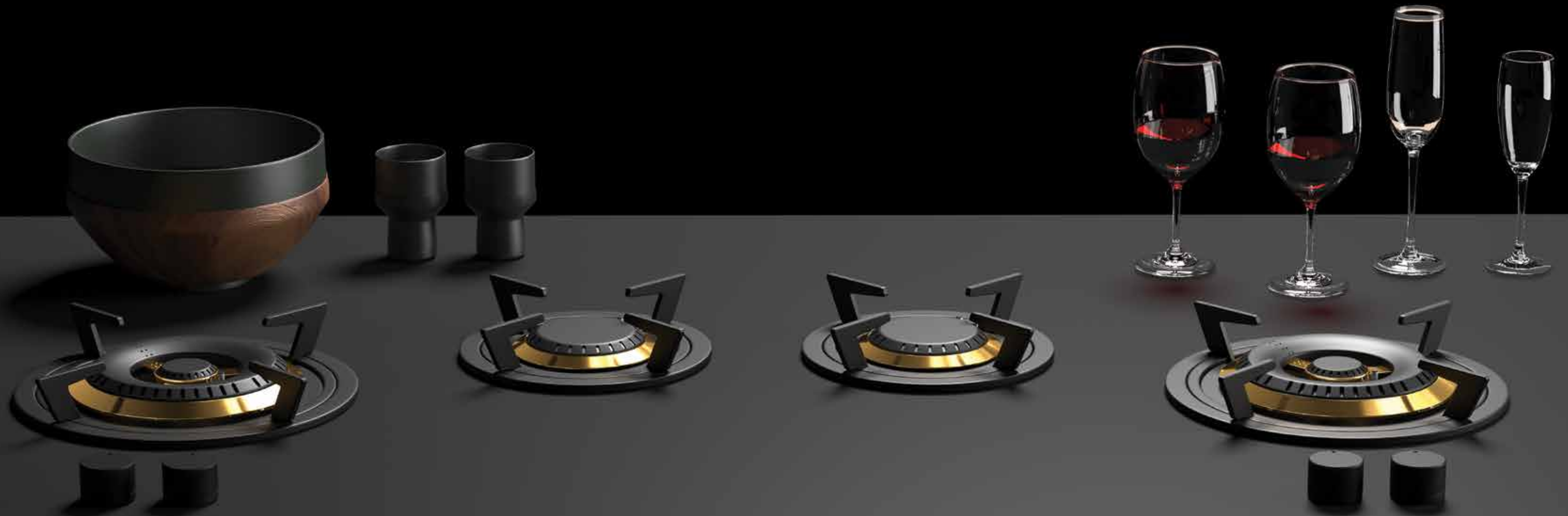
Prachtig en ingenieus.

This is Dutch for “beautiful and ingenious,” the twin hallmarks of Tulip Cooking. Our cooktop systems are designed and handcrafted in The Netherlands, a place of natural splendor and artisan imagination.

Whether gas or induction, Tulip Cooking incorporates the refined yet spirited aesthetic that exemplifies contemporary Dutch design. Each individual burner unit is meticulously assembled by hand in The Netherlands, in accordance with the most exacting quality standards.



Add a striking contemporary touch to any countertop—and a stylish flair to cooking.





At the leading edge of cooktop technology.

Cooking is both a science and an art, and Tulip Cooking is committed to staying at the forefront. Our cooktops showcase the brightest innovations in the field—from the world's only modular induction cooktop with flexible burner placement, to gas burners with optimal flame control and fuel efficiency.

Each unit incorporates the finest materials available. Our gas burners, for example, feature silicone rings to seal out moisture, and double-enameled, stainless steel pan supports for superior durability.

TULIP COOKING GAS COOKTOPS

Individualized design elevates the kitchen.

Not only are our gas cooktops suitable for virtually any countertop material*, their beautiful and expressive style can be custom-tailored to your tastes. It's time to personalize your cooking passion.

- Gas cooktops are available in up to 20 different configurations
- Control knobs available in black, red, or stainless steel
- Burner trim available in your choice of timeless brass or sleek black
- Full customization available



*Except wood, Corian®, and similar solid surfaces



TULIP COOKING GAS COOKTOPS

Built around the needs of home chefs.

Beyond their individualized style, our gas cooktops are crafted to make life for home chefs simple and convenient, so they can focus on what matters most: pursuing their love of cooking.

- State-of-the-art controls offering superior flame control and greater fuel efficiency
- Wide spacing between burners allows for simultaneous use of multiple large pots
- Designed to the highest safety standards
- Installs and cleans easily
- All components are covered under a limited five-year warranty

TULIP COOKING INDUCTION COOKTOPS

An elegantly modern addition to any countertop.

Tulip Cooking induction cooktops allow home chefs to infuse any countertop material with the ultimate in minimalist design. When it comes to configuring your induction cooktop, the only limits are your own imagination.

- Striking, gloss-black cooktop surface complements any kitchen
- Can be installed in combination with Tulip Cooking gas burners—a perfect pairing
- The world's only modular induction cooktop with flexible burner placement
- Burners available in two sizes: medium and large
- Limitless configurations and layout possibilities for your countertop





TULIP COOKING INDUCTION COOKTOPS

A revolution in kitchen technology.

Induction cooking represents the latest in cooking innovation: the magnetized direct heating of cast-iron or similar metal cookware through a ceramic-surface cooktop. Our induction cooktops offer faster cooking, better energy efficiency, and enhanced safety.

- Powerful embedded burners deliver optimal heating efficiency
- Incorporates a state-of-the-art, solid-state control unit
- Greater safety: ceramic cooktop surface never gets hot to the touch
- Installs easily and cleans with a simple wipe of the surface
- All components are covered under a limited five-year warranty



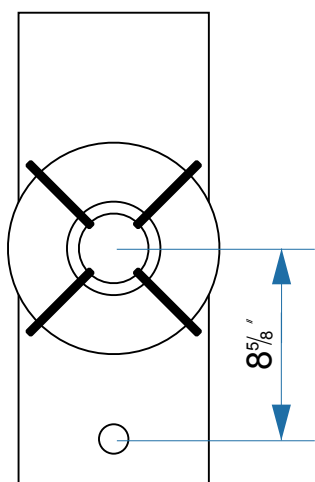
Specifications

Gas Burner Models and Specifications	18
Gas Burner Components	28
Countertop Requirements	29
Energy Requirements	29
Installation	29
Terms and Conditions	29
Product Warranty	29
Construction Measurements	30
Induction Cooktop Specifications	31

AMERICAN



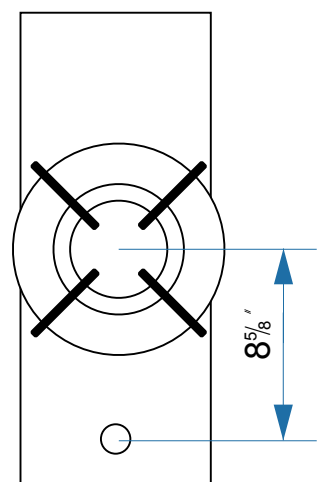
NUMBER OF BURNERS	1
POWER	6,500 BTU/h
MINIMUM CABINET WIDTH	12–15 inches
MEASUREMENTS OF UNIT (LxWxH)	20 × 8 ⁵ / ₈ × 3 ¹ / ₂ inches
TOTAL HEIGHT	3 ¹ / ₂ inches
MINIMUM COUNTER DEPTH	24 inches
COUNTERTOP THICKNESS	1/8 – 1 ³ / ₈ inches
BURNER TRIM FINISH	Brass or Black



ALBANY



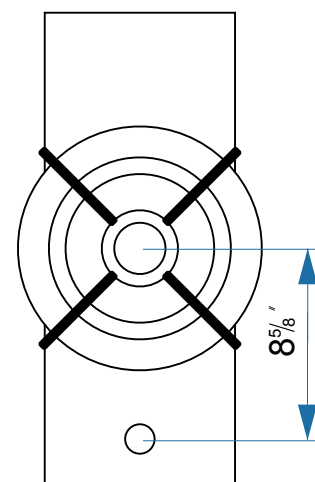
NUMBER OF BURNERS	1
POWER	12,000 BTU/h
MINIMUM CABINET WIDTH	12–15 inches
MEASUREMENTS OF UNIT (LxWxH)	20 × 8 ⁵ / ₈ × 3 ¹ / ₂ inches
TOTAL HEIGHT	3 ¹ / ₂ inches
MINIMUM COUNTER DEPTH	24 inches
COUNTERTOP THICKNESS	1/8 – 1 ³ / ₈ inches
BURNER TRIM FINISH	Brass or Black



ALLEGHENY



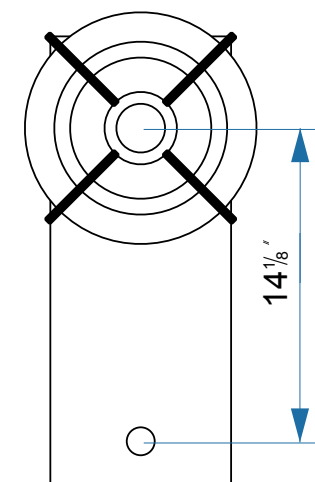
NUMBER OF BURNERS	1
POWER	18,000/650 BTU/h
MINIMUM CABINET WIDTH	12–15 inches
MEASUREMENTS OF UNIT (LxWxH)	20 × 8 ⁵ / ₈ × 3 ¹ / ₂ inches
TOTAL HEIGHT	3 ¹ / ₂ inches
MINIMUM COUNTER DEPTH	24 inches
COUNTERTOP THICKNESS	1/8 – 1 ³ / ₈ inches
BURNER TRIM FINISH	Brass or Black



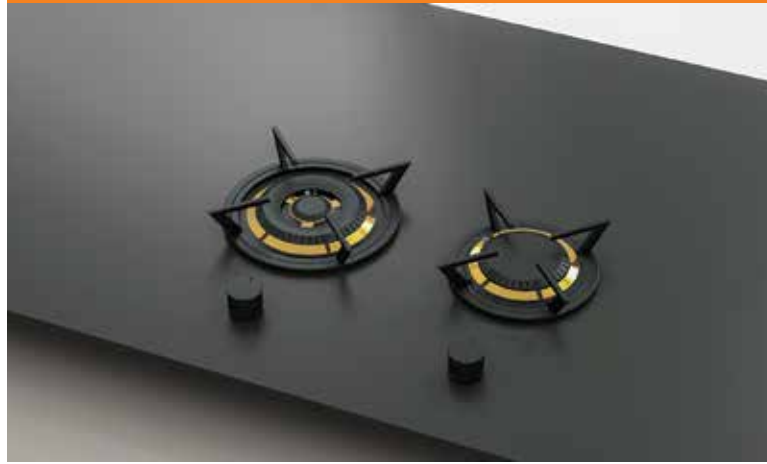
ASHLEY



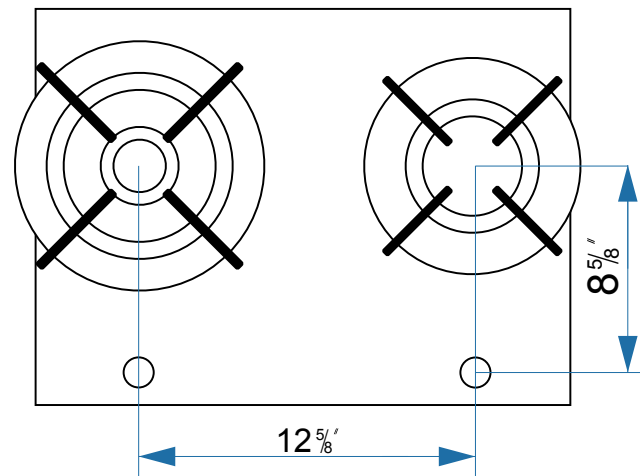
NUMBER OF BURNERS	1
POWER	18,000/650 BTU/h
MINIMUM CABINET WIDTH	12–15 inches
MEASUREMENTS OF UNIT (LxWxH)	20 × 8 ⁵ / ₈ × 3 ¹ / ₂ inches
TOTAL HEIGHT	3 ¹ / ₂ inches
MINIMUM COUNTER DEPTH	24 inches
COUNTERTOP THICKNESS	1/8 – 1 ³ / ₈ inches
BURNER TRIM FINISH	Brass or Black



BACK



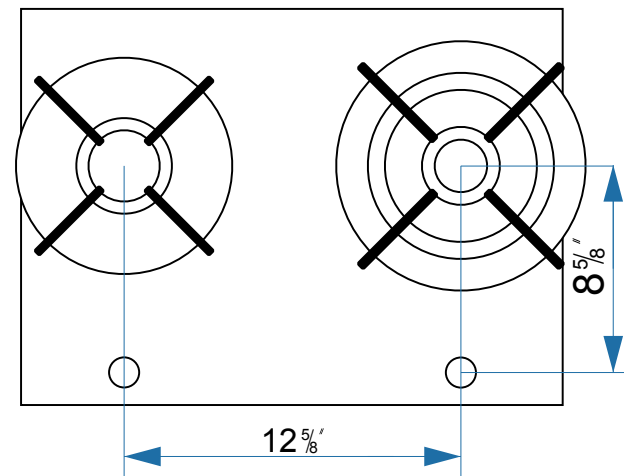
NUMBER OF BURNERS	2
POWER	30,650 BTU/h
MINIMUM CABINET WIDTH	24 inches
MEASUREMENTS OF UNIT (LxWxH)	16 x 21 x 3½ inches
TOTAL HEIGHT	3½ inches
MINIMUM COUNTER DEPTH	24 inches
COUNTERTOP THICKNESS	⅛ – 1⅜ inches
BURNER TRIM FINISH	Brass or Black



BAKER



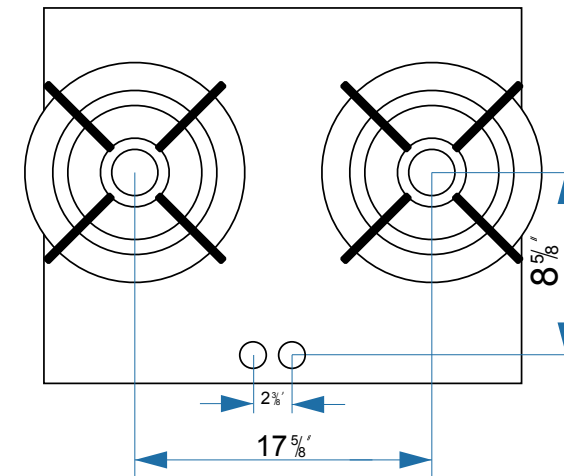
NUMBER OF BURNERS	2
POWER	25,150 BTU/h
MINIMUM CABINET WIDTH	24 inches
MEASUREMENTS OF UNIT (LxWxH)	16 x 21 x 3½ inches
TOTAL HEIGHT	3½ inches
MINIMUM COUNTER DEPTH	24 inches
COUNTERTOP THICKNESS	⅛ – 1⅜ inches
BURNER TRIM FINISH	Brass or Black



BARRINGTON



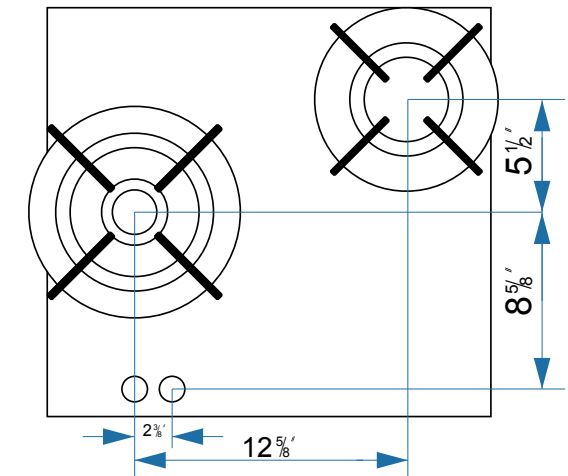
NUMBER OF BURNERS	2
POWER	37,300 BTU/h
MINIMUM CABINET WIDTH	34 inches
MEASUREMENTS OF UNIT (LxWxH)	16 x 25⅝ x 3½ inches
TOTAL HEIGHT	3½ inches
MINIMUM COUNTER DEPTH	24 inches
COUNTERTOP THICKNESS	⅛ – 1⅜ inches
BURNER TRIM FINISH	Brass or Black



BOUNDARY WATERS



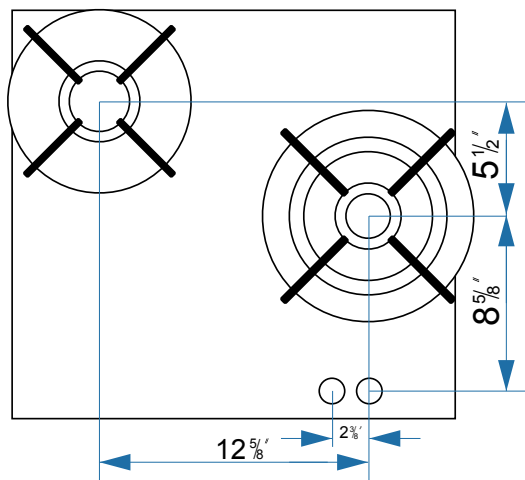
NUMBER OF BURNERS	2
POWER	30,650 BTU/h
MINIMUM CABINET WIDTH	24 inches
MEASUREMENTS OF UNIT (LxWxH)	20 x 21 x 3½ inches
TOTAL HEIGHT	3½ inches
MINIMUM COUNTER DEPTH	24 inches
COUNTERTOP THICKNESS	⅛ – 1⅜ inches
BURNER TRIM FINISH	Brass or Black



BRAZOS



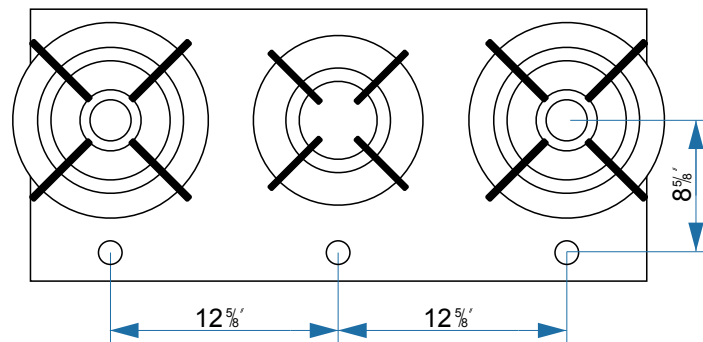
NUMBER OF BURNERS	2
POWER	25,150 BTU/h
MINIMUM CABINET WIDTH	24 inches
MEASUREMENTS OF UNIT (LxWxH)	20 x 21 x 3½ inches
TOTAL HEIGHT	3½ inches
MINIMUM COUNTER DEPTH	24 inches
COUNTERTOP THICKNESS	⅛ – 1⅜ inches
BURNER TRIM FINISH	Brass or Black



CHURCHILL



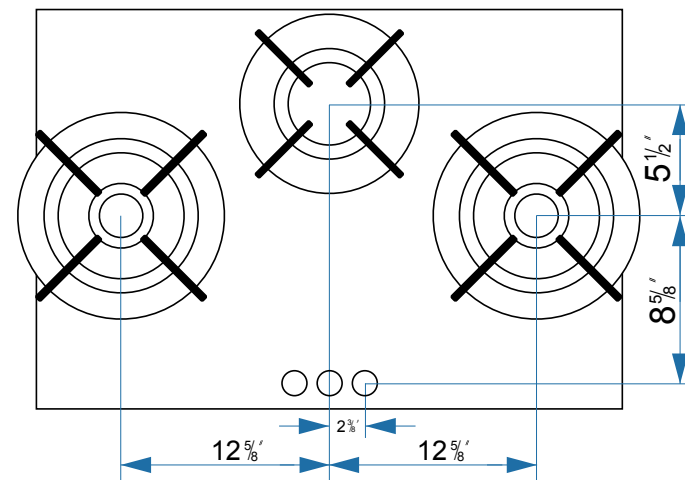
NUMBER OF BURNERS	3
POWER	49,300 BTU/h
MINIMUM CABINET WIDTH	36 inches
MEASUREMENTS OF UNIT (LxWxH)	16 x 33½ x 3½ inches
TOTAL HEIGHT	3½ inches
MINIMUM COUNTER DEPTH	24 inches
COUNTERTOP THICKNESS	⅛ – 1⅜ inches
BURNER TRIM FINISH	Brass or Black



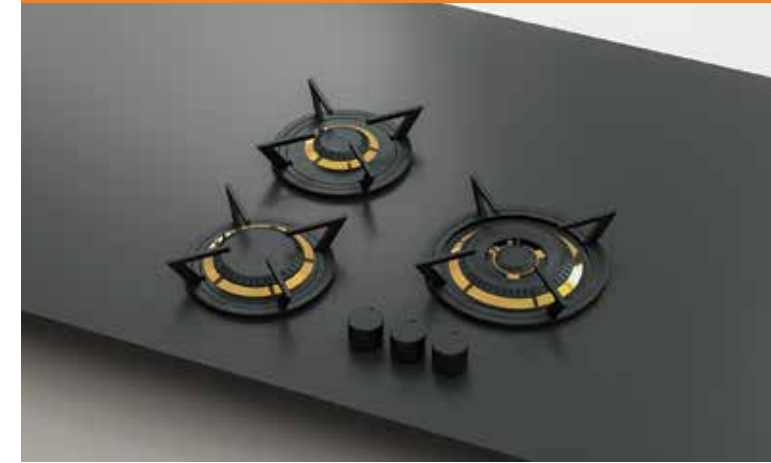
COLORADO



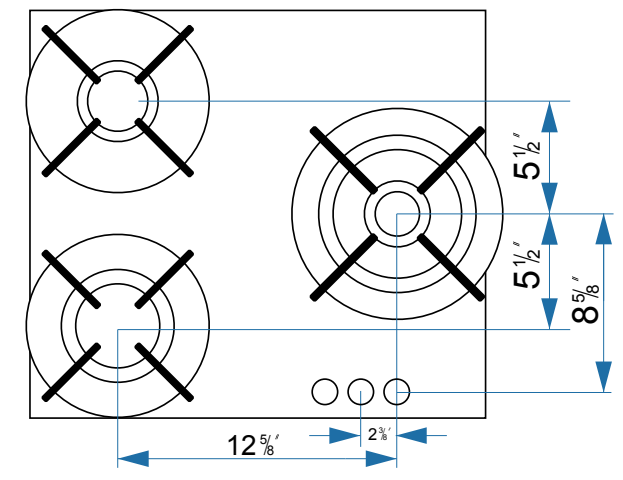
NUMBER OF BURNERS	3
POWER	43,800 BTU/h
MINIMUM CABINET WIDTH	36 inches
MEASUREMENTS OF UNIT (LxWxH)	16 x 33½ x 3½ inches
TOTAL HEIGHT	3½ inches
MINIMUM COUNTER DEPTH	24 inches
COUNTERTOP THICKNESS	⅛ – 1⅜ inches
BURNER TRIM FINISH	Brass or Black



CONNECTICUT



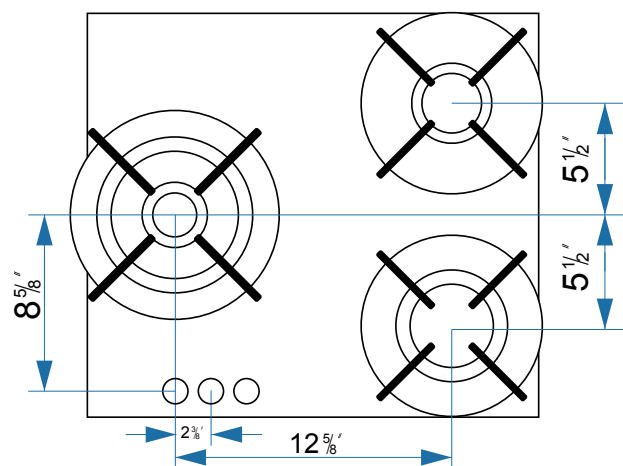
NUMBER OF BURNERS	3
POWER	37,150 BTU/h
MINIMUM CABINET WIDTH	24 inches
MEASUREMENTS OF UNIT (LxWxH)	20 x 21 x 3½ inches
TOTAL HEIGHT	3½ inches
MINIMUM COUNTER DEPTH	24 inches
COUNTERTOP THICKNESS	⅛ – 1⅜ inches
BURNER TRIM FINISH	Brass or Black



COLUMBIA



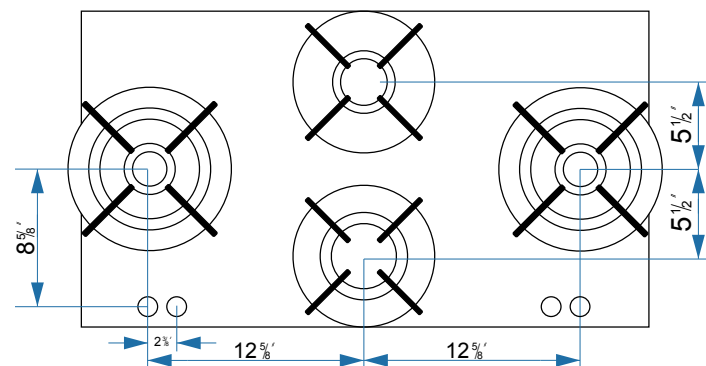
NUMBER OF BURNERS	3
POWER	37,150 BTU/h
MINIMUM CABINET WIDTH	24 inches
MEASUREMENTS OF UNIT (LxWxH)	20 x 21 x 3½ inches
TOTAL HEIGHT	3½ inches
MINIMUM COUNTER DEPTH	24 inches
COUNTERTOP THICKNESS	⅛ – 1⅜ inches
BURNER TRIM FINISH	Brass or Black



DELAWARE



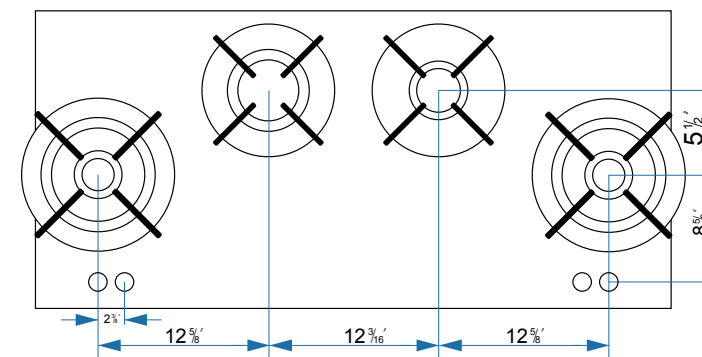
NUMBER OF BURNERS	4
POWER	55,800 BTU/h
MINIMUM CABINET WIDTH	36 inches
MEASUREMENTS OF UNIT (LxWxH)	20 x 33½ x 3½ inches
TOTAL HEIGHT	3½ inches
MINIMUM COUNTER DEPTH	24 inches
COUNTERTOP THICKNESS	⅛ – 1⅜ inches
BURNER TRIM FINISH	Brass or Black



DELTA



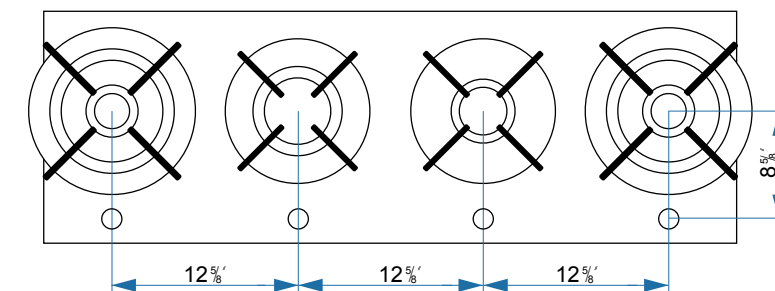
NUMBER OF BURNERS	4
POWER	55,800 BTU/h
MINIMUM CABINET WIDTH	48 inches
MEASUREMENTS OF UNIT (LxWxH)	20 x 45½ x 3½ inches
TOTAL HEIGHT	3½ inches
MINIMUM COUNTER DEPTH	24 inches
COUNTERTOP THICKNESS	⅛ – 1⅜ inches
BURNER TRIM FINISH	Brass or Black



DETROIT



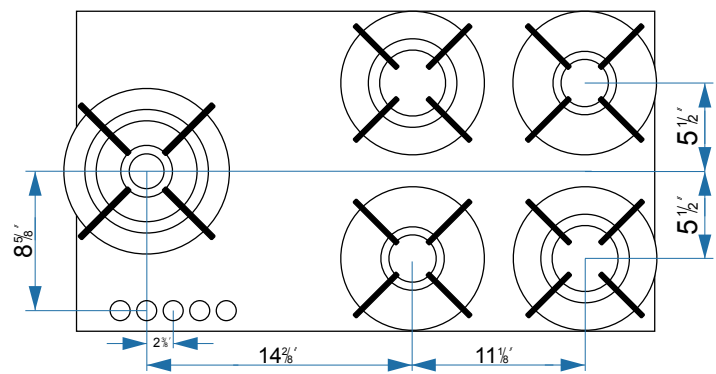
NUMBER OF BURNERS	4
POWER	55,800 BTU/h
MINIMUM CABINET WIDTH	48 inches
MEASUREMENTS OF UNIT (LxWxH)	16 x 45½ x 3½ inches
TOTAL HEIGHT	3½ inches
MINIMUM COUNTER DEPTH	24 inches
COUNTERTOP THICKNESS	⅛ – 1⅜ inches
BURNER TRIM FINISH	Brass or Black



EASTMAIN



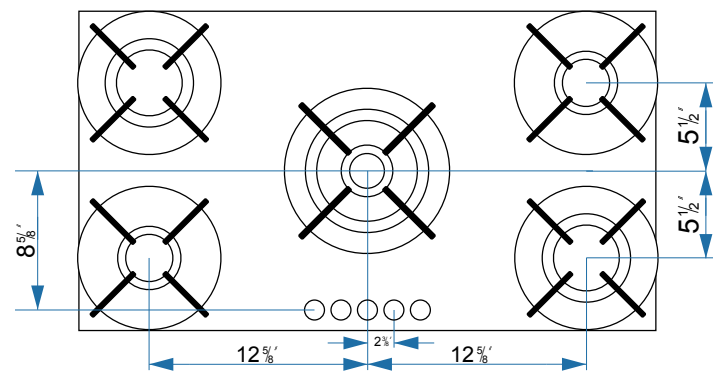
NUMBER OF BURNERS	5
POWER	55,650 BTU/h
MINIMUM CABINET WIDTH	36 inches
MEASUREMENTS OF UNIT (LxWxH)	20 x 33½ x 3½ inches
TOTAL HEIGHT	3½ inches
MINIMUM COUNTER DEPTH	24 inches
COUNTERTOP THICKNESS	⅛ – 1⅜ inches
BURNER TRIM FINISH	Brass or Black



EDISTO



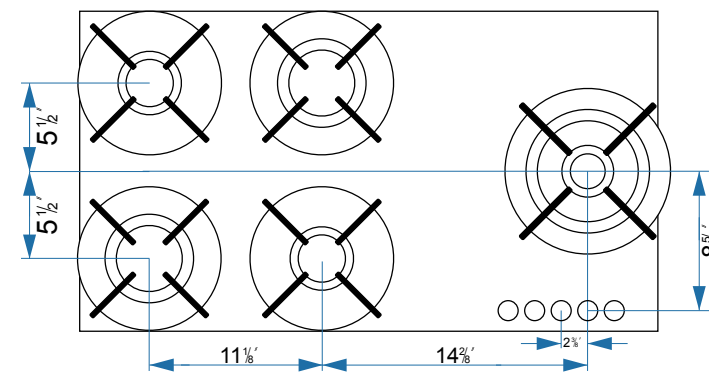
NUMBER OF BURNERS	5
POWER	55,650 BTU/h
MINIMUM CABINET WIDTH	36 inches
MEASUREMENTS OF UNIT (LxWxH)	20 x 33½ x 3½ inches
TOTAL HEIGHT	3½ inches
MINIMUM COUNTER DEPTH	24 inches
COUNTERTOP THICKNESS	⅛ – 1⅜ inches
BURNER TRIM FINISH	Brass or Black



EAST



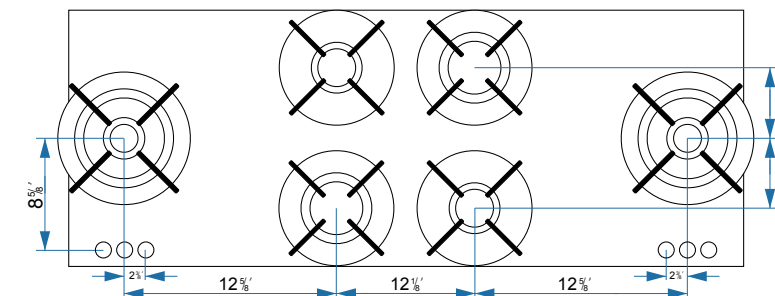
NUMBER OF BURNERS	5
POWER	55,650 BTU/h
MINIMUM CABINET WIDTH	36 inches
MEASUREMENTS OF UNIT (LxWxH)	20 x 33½ x 3½ inches
TOTAL HEIGHT	3½ inches
MINIMUM COUNTER DEPTH	24 inches
COUNTERTOP THICKNESS	⅛ – 1⅜ inches
BURNER TRIM FINISH	Brass or Black



FRASER



NUMBER OF BURNERS	6
POWER	74,300 BTU/h
MINIMUM CABINET WIDTH	48 inches
MEASUREMENTS OF UNIT (LxWxH)	20 x 45½ x 3½ inches
TOTAL HEIGHT	3½ inches
MINIMUM COUNTER DEPTH	24 inches
COUNTERTOP THICKNESS	⅛ – 1⅜ inches
BURNER TRIM FINISH	Brass or Black



GAS BURNER COMPONENTS

6,500 BTU

12,000 BTU

18,000 / 650 BTU



Wok Ring



Small Pan Support



- 1 Burner Cap
- 2 Burner Trim
- 3 Pan Support
- 4 Heat Shield
- 5 Silicone Seal
- 6 Burner NG or LPG
- 7 Assembled Unit

COUNTERTOP REQUIREMENTS

TULIP COOKING GAS

The following materials are suitable for Tulip Cooking Gas Burners:

- Natural stone such as granite and marble
- Stainless Steel
- Concrete
- Ceramic
- Glass
- Fenix NTM
- Quartz Composite
- Compact Board

The following materials are *not* suitable for Tulip Cooking Gas Burners:

- Solid Surface such as Corian
- HPL—High Pressure Laminate
- Wood

TULIP COOKING INDUCTION

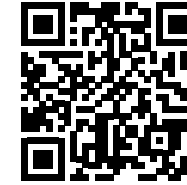
Any countertop material is suitable for installation.

ENERGY REQUIREMENTS

Gas Burners: Natural Gas or LPG—Propane
110 Volts

Induction Burners: 220 Volts

INSTALLATION



For installation instructions (gas or induction), scan QR code or visit tulipcooking.com/install

TERMS AND CONDITIONS



For terms and conditions, scan QR code or visit tulipcooking.com/terms

PRODUCT WARRANTY

FULL TWO-YEAR WARRANTY

Warranty covers all costs, including labor, to repair or replace parts proven to be defective in materials or workmanship.

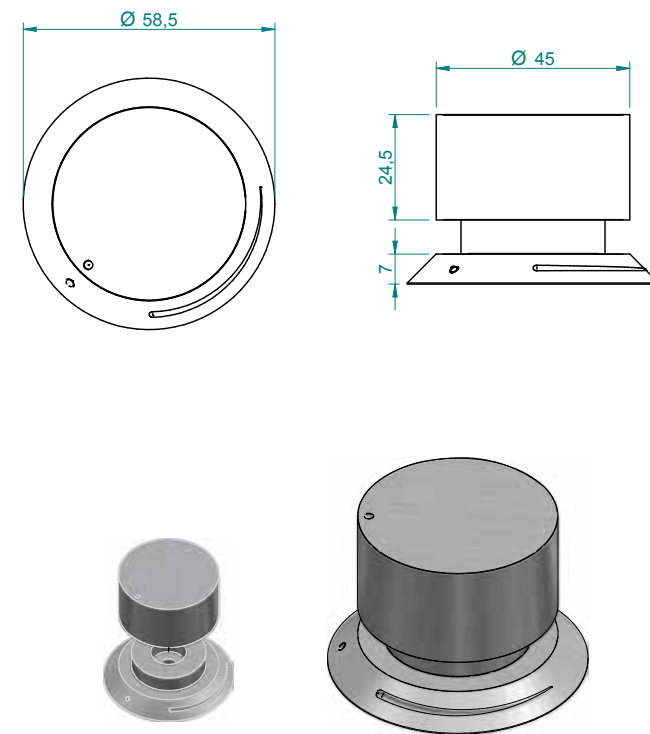
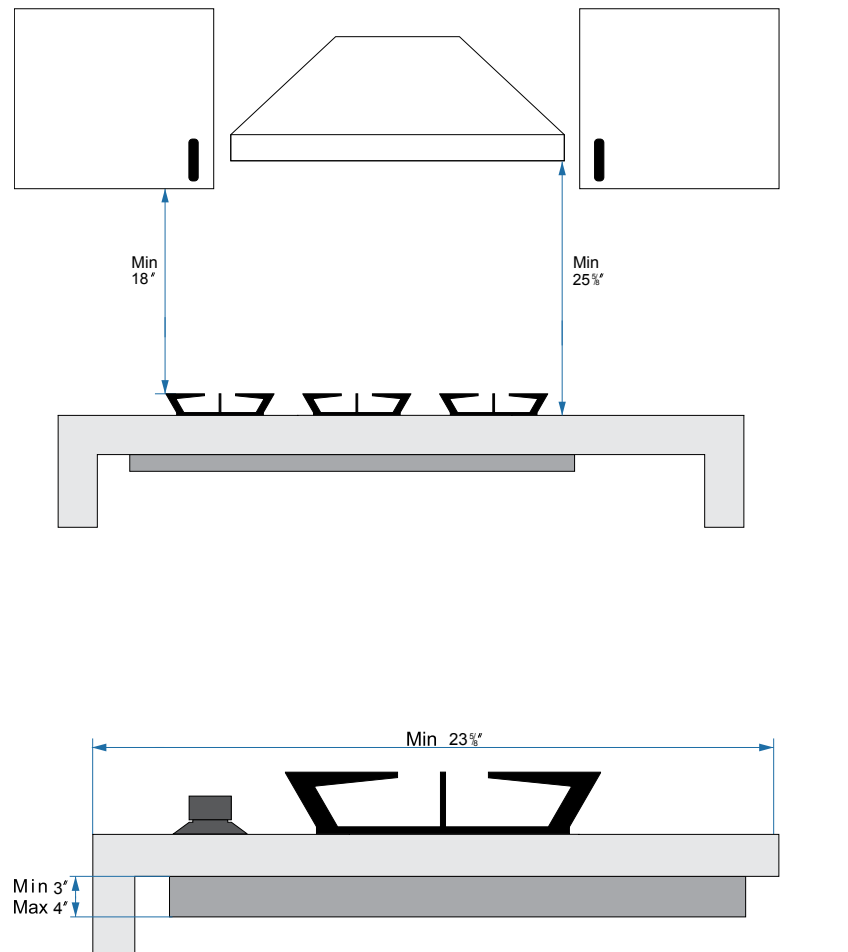
LIMITED FIVE-YEAR WARRANTY

Warranty covers costs to repair or replace parts proven to be defective in materials or workmanship; customer is responsible for labor charges.

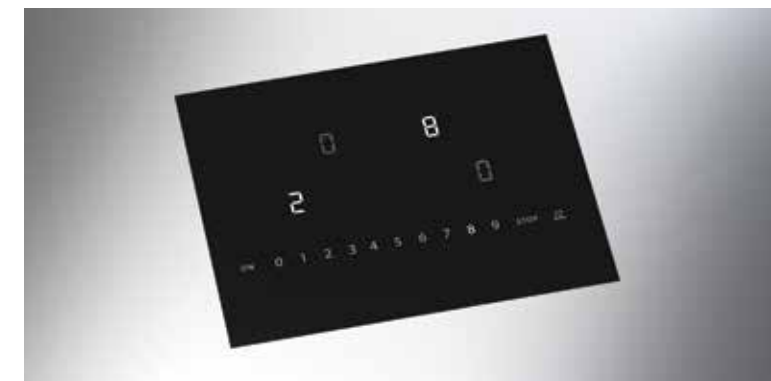


Scan QR code for details or visit tulipcooking.com/warranty

CONSTRUCTION MEASUREMENTS



INDUCTION COOKTOP SPECIFICATIONS



100% MODULAR

The only limit is your imagination.

Tulip Cooking induction cooktops are designed for easy installation and may be placed in any configuration on a countertop.

STATE-OF-THE-ART TECHNOLOGY

- 100% flexible placement
- Touchpad solid-state control panel monitors and controls cooking temperature
- Installs flush with the countertop
- Low-energy usage combined with high-energy output
- Easy-to-clean glass surface

MEDIUM BURNER

2,100 Watts
Measures 10⁵/₈"

LARGE BURNER

3,000 Watts
Measures 11³/₄"

CONTROL PANEL

Measures 8³/₄" × 5¹/₂"

ELECTRICAL REQUIREMENTS

220 Volts

NOTES





Tulip Cooking

www.tulipcooking.com

USA

Tulip Cooking
209 River Road Extension
Cos Cob, CT 06807
203-900-1124

info@tulipcooking.com

Canada

Better Distribution
111 Oakdale Road
North York, ON M3N 1W2
905-264-9414

sales@betterdistribution.ca