
INSTRUCTIONS

GB

MODE D'EMPLOI

FR

MANUAL DE INSTRUCCIONES

ES

**COFFEE AND CAPPUCCINO MAKER
MACHINE À CAFÉ ET À CAPPUCCINO
CAFETERA PARA CAFÉ Y CAPUCHINO**

CONTENTS

INTRODUCTION	7
Symbols used in these instructions	7
Letters in brackets	7
Troubleshooting and repairs	7
IMPORTANT SAFEGUARDS	7
Designated use.....	8
Instructions	8
DESCRIPTION	8
Description of the appliance	8
Description of milk container and accessories	8
Description of control panel	8
PRELIMINARY CHECKS	8
Controls after transport	8
Installing the appliance.....	8
Connecting the appliance	9
AUTOMATIC CUP TRAY LIGHT	9
BUILT-IN INSTALLATION	10
USING THE APPLIANCE FOR THE FIRST TIME	12
TURNING ON AND HEATING UP	12
MAKING COFFEE USING COFFEE BEANS	12
CHANGING THE QUANTITY OF COFFEE IN THE CUP	13
AJUSTING THE COFFEE MILL	14
MAKING ESPRESSO COFFEE WITH PRE-GROUND COFFEE (INSTEAD OF BEANS)	14
DELIVERING HOT WATER	14
CHANGING THE QUANTITY OF HOT WATER	14
MAKING CAPUCCINO (FROTHED MILK AND COFFEE) ..	14
MAKING FROTHED MILK (WITHOUT COFFEE)	15
CHANGING THE QUANTITY OF COFFEE AND MILK FOR CAPPUCCINO	15
CLEANING AND MAINTENANCE	16
Cleaning the coffee maker.....	16
Cleaning the coffee grounds container	16
Cleaning the drip tray.....	16
Cleaning the water tank.....	16
Cleaning the spouts	16
Cleaning the pre-ground coffee funnel	16
Cleaning the inside of the coffee maker	16
Cleaning the infuser	16
Cleaning the milk container	17
CHANGING AND SETTING MENU PARAMETERS	17
Setting the clock	18
Setting auto-start time	18
Descaling	18

Changing coffee temperature	19
Changing the length of time the appliance remains on	19
Setting water hardness	19
Resetting default values (reset)	19
Washing procedure	19
CHANGING THE LANGUAGE	19
TURNING THE APPLIANCE OFF	19
TECHNICAL SPECIFICATION	20
DISPOSING OF THE APPLIANCE	20
DISPLAYED MESSAGES	21
TROUBLESHOOTING	22
RECIPES	23

INTRODUCTION

Thank you for choosing the automatic coffee and cappuccino maker. We hope you enjoy using your new appliance. Take a few minutes to read these instructions. This will avoid all risks and damage to the machine.

Symbols used in these instructions

Important warnings are identified by these symbols. These warnings must absolutely be respected.

Failure to observe the instructions could result in electric shock, serious injury, burns, fire or damage to the appliance.



Danger!

Failure to observe the warning could result in possibly life threatening injury from electric shock.



Important!

Failure to observe the warning could result in injury or damage to the appliance.



Danger of burns!

Failure to observe the warning could result in scalds or burns.



N.B.:

This symbol identifies important advice or information for the user.

Letters in brackets

The letters in brackets refer to the legend in the Description of the Appliance on page 3.

Troubleshooting and repairs

In the event of problems, first try and resolve them following the information given in the sections "Displayed messages" and "Troubleshooting". If this does not resolve the problem or you require further information, you should consult Customer Services by calling the number given on the "Customer Service" sheet.

If your country is not among those listed on the sheet, call the number given in the guarantee. If repairs are required, contact Customer Services only. The addresses are given in the guarantee certificate provided with the machine.

IMPORTANT SAFEGUARDS

When using electrical appliances, basic safety precautions should always be followed including the following:

READ ALL INSTRUCTIONS

- Make sure the voltage of your electrical system corresponds to the voltage shown on the bottom of the machine.
- Do not touch hot surfaces. Use handles or knobs.
- To protect against electrical shock, do not immerse cord or plug in water or other liquid.
- Close supervision is necessary when any appliance is used by or near children.
- Unplug from outlet when not in use and before cleaning. Allow to cool before putting on or taking off parts.
- Do not operate any appliance with a damaged cord or plug, or after the appliance malfunctions or has been damaged in any manner. Return appliance to the nearest authorized service facility for examination, repair or adjustment.
- The use of accessory attachments not recommended by the appliance manufacturer may cause injuries.
- Do not let cord hang over edge of table or counter, or touch hot surfaces.
- Do not place on or near a hot gas or electric burner, or in a heated oven.
- Extreme caution must be used when moving an appliance containing hot oil or other hot liquids.
- To disconnect, turn any control to "off", then remove plug from wall outlet.
- Do not use appliance for other than intended use.
- The appliance must be properly installed before operation to ensure that no electrical components are accessible. Ensure that power is not supplied to the appliance while installation work, repairs or maintenance is performed.
- Be certain your appliance is properly installed and grounded by a qualified technician. To guarantee the electrical safety of this appliance, continuity must exist between the appliance and effective grounding system. It is imperative that this basic safety requirement be met. If there is any doubt, have the electrical

system of the house checked by a qualified electrician. The manufacturer can not be held responsible for damages caused by the lack, or inadequacy, of an effective grounding system.

- Do not use an extension cord to connect the appliance to electricity. Extension cord doesn't guarantee the required safety of the appliance (danger of overheating).
- Installation work and repairs must be only performed by a trained technician in accordance with national and local safety regulations. Repairs and other work by unauthorized persons could be dangerous and may void the warranty.
- Only use original spare parts. Only then can the manufacturer guarantee the safety of this machine.
- Never open the outer casing of the appliance. Tampering with electrical connections or components and mechanical parts is dangerous and may cause machine damage.
- If the machine is installed in combination with other appliances, a protective base should be installed between the appliance and the unit.
- Do not install or use outdoors even if installed in the display cabinet.
- Only fill the water tank with cold, fresh tap water. Warm or hot water, or any other liquids may damage the machine.
- The water should be changed daily to prevent bacteria or mold growth.
- Do not use mineral water. Mineral water leads to heavy calcium buildup in the machine that can damage the unit.
- Do not fill anything but coffee beans into the beans container. Do not fill ground coffee in the beans container, it will damage the grinding unit.
- Sugar can damage the appliance! Caramelized or otherwise pre-treated coffee beans or other sugar containing beverages must not be put in the machine.
- Never place a cup with an alcohol-coffee mixture underneath the coffee dispenser. Plastic parts of the unit could catch fire!
- The hot water and steam dispensed could cause scalding. These functions must be used carefully. Never hold any parts of the body under the steam

nozzle or the hot water dispenser. The machine must never be used to clean objects.

- Never use a steam cleaner to clean the appliance. Pressurized steam could damage electrical components and cause a short circuit.
- The appliances must be descaled regularly with the supplied descaling tablets. In areas with very hard water the machine may need to be descaled more often. The manufacturer cannot be held responsible for damages resulting from insufficient descaling.
- Never make coffee, hot water or steam when the appliance is extracted. Always make sure the appliance is inactive before extracting it. Failure to observe this precaution could lead to damage to the appliance! The only exception is adjusting the coffee mill which must be done with the machine out (see the section "Adjusting the coffee mill").

SAVE THESE INSTRUCTIONS

THIS APPLIANCE IS FOR HOUSEHOLD USE ONLY

Designated use

This appliance is designed and made to prepare coffee and heat drinks. All other use is considered improper.

This appliance is not suitable for commercial use.

The manufacturer is not liable for damage deriving from improper use of the appliance. This appliance can be installed over a built-in oven if the latter is fitted with a cooling fan at the rear (maximum oven power: 3 kW).

Instructions

Read these instructions carefully before using the appliance.

- Keep these instructions. If the appliance is passed to other persons, they must also be provided with these instructions.
- Failure to follow these instructions may result in burns or damage to the appliance.

The manufacturer is not liable for damage deriving from failure to respect these instructions.

DESCRIPTION

Description of the appliance

(page 3 - A)

- A1. Cup tray
- A2. Service door
- A3. Coffee guide
- A4. Coffee grounds container

- A5. Infuser
- A6. Lights
- A7. Control panel
- A8. Hot water and steam nozzle
- A9. Water tank
- A10. Coffee spout (adjustable height)
- A11. Drip tray
- A12. Bean container lid
- A13. Container for coffee beans
- A14. Grinding adjustment knob
- A15. Pre-ground coffee funnel door
- A16. Compartment for measure
- A17. Pre-ground coffee funnel
- A18. Power cable
- A19. Main switch
- A20. Tray
- A21. IEC connector

Description of milk container and accessories








(page 3 - B)


- B1. Frothed milk regulator
- B2. Milk container handle
- B3. CLEAN button
- B4. Milk intake tube
- B5. Frothed milk spout
- B6. Milk frother
- B7. Hot water spout
- B8. Measure


Description of control panel

(page 3 - C)

A number of buttons on the panel have a double function. This is indicated in brackets in the description.

- C1. Display: guides the user in using the appliance.
- C2. MENU button to activate or deactivate menu parameter setting mode
- C3.  button to select pre-ground coffee
(When in the MENU: NEXT button to display the next menu parameter).
- C4. Rinse button  to perform a brief rinse to heat the infuser.
(When you access the MENU: "CHANGE" button to modify menu parameters).
- C5.  button to deliver hot water.
(When you access the MENU: OK button to confirm menu parameters).
- C6.  knob to turn the appliance on and off.
- C7.  button to select the coffee taste
- C8.  button to deliver one or two cups of short coffee
- C9.  button to deliver one or two cups of standard coffee

C10.  button to deliver one or two cups of long coffee

C11.  knob to deliver cappuccino or frothed milk

PRELIMINARY CHECKS

Controls after transport

After removing the packaging, make sure the product is complete and undamaged and that all accessories are present.

Do not use the appliance if it is visibly damaged.

Contact Customer Services.

Installing the appliance



Important! When installing the appliance, respect the following safety warnings:

- Installation must be performed by a qualified professional in compliance with legislation in force in the country of installation (see section: BUILT-IN INSTALLATION).
- The packing elements (plastic bags, polystyrene foam, etc.) should be kept out of reach of children as they are a safety hazard.
- Do not install the appliance in rooms where the temperature may drop to 0°C / 32°F or lower (the water in the appliance could freeze and cause damage).
- You should customise the water hardness as soon as possible following the instructions in the "SETTING WATER HARDNESS" section.

Connecting the appliance



Danger! Check that the mains power supply voltage corresponds to the value indicated on the appliance rating plate. Connect the appliance to an efficiently earthed and correctly installed socket with a minimum current rating of 10A only.

If the power socket does not match the plug on the appliance, have the socket replaced with a suitable type by a qualified professional.

To comply with safety directives, an omnipolar switch with a minimum contact distance of 3 mm / 0.12 in must be installed.

Do not use multiple sockets or extensions.

To learn to use the appliance correctly, the first time you use it follow the detailed instructions in the following sections.



Important! Safety cutout devices must be included in the mains power supply in compliance with the installation regulations in the country concerned.

AUTOMATIC CUP TRAY LIGHT

When the appliance is turned on, the lights (A6) automatically

light up the spout and cup tray.

The lights stay on until the appliance is turned off.

While coffee, steam or hot water is being delivered, the cooling fan comes on.

At the end of the function, the cooling fan remains on to avoid condensation forming inside the cabinet. After several minutes, the fan goes off automatically.



N.B.: The appliance also completes this cycle if switched off by turning the knob (C6) to the right or left.



Important! Do not look at the lights directly or using an optical instrument.

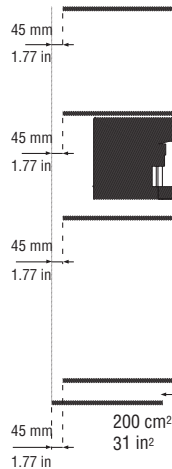
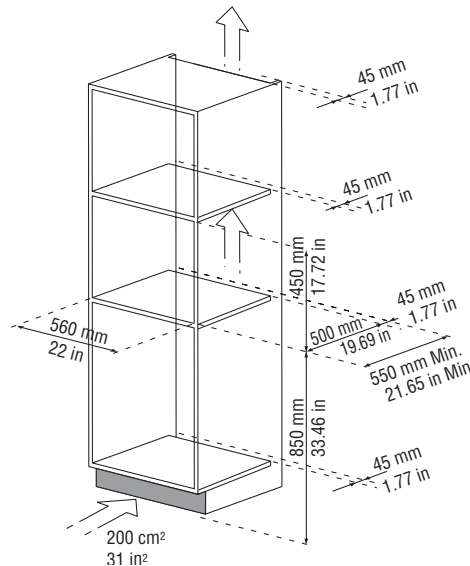
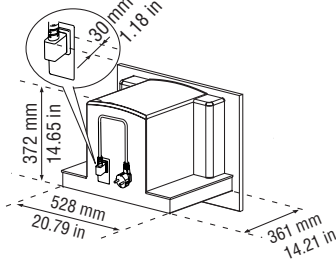
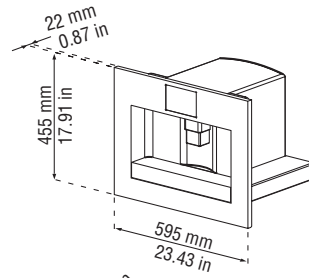
BUILT-IN INSTALLATION

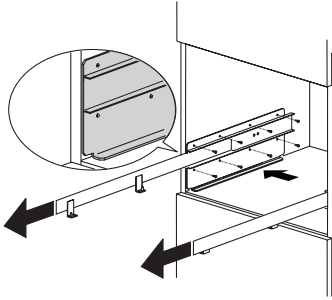
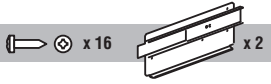
Verify the minimum measurements required for correct installation of the appliance.

The coffee maker must be installed in a column and the column must be firmly fixed to the wall with commercially available brackets.

Important:

- Important: all installation or maintenance operations must be performed with the appliance disconnected from the mains electricity supply.
- Kitchen furniture in direct contact with the appliance must be heat resistant (65°C / 149 F° min).
- To guarantee correct ventilation, leave a gap at the bottom of the cabinet (see measurements in figure).



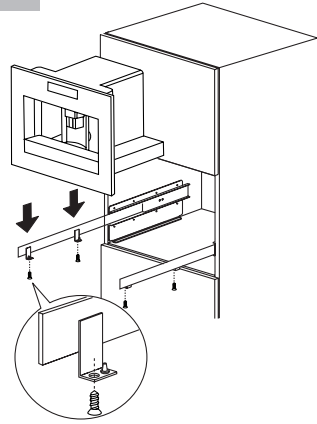


Position the rails on the sides of the cabinet as shown in the figure.

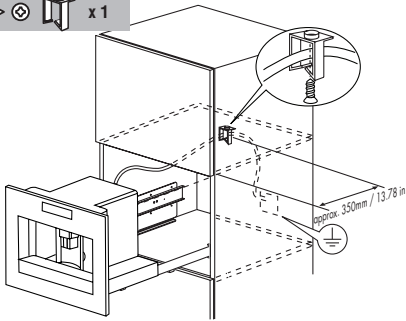
Fix with the screws, then extract them completely.

If the coffee maker is installed over a warmer drawer (500 W max.), use the top surface of this as a reference to position the rails.

In this case, there will be no surface to rest the rails on.



Position the appliance on the rails, making sure the pins are correctly inserted in the housings, then fix it with the screws supplied.



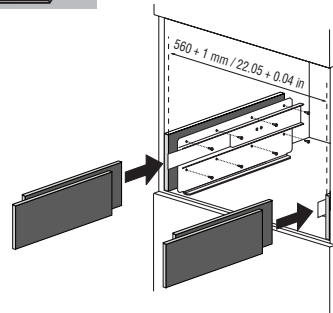
Fix the power cable with the clip to avoid it tangling when the appliance is inserted or extracted.

The power cable must be long enough to allow the appliance to be extracted from the cabinet to fill the coffee beans container.

The appliance must be earthed in compliance with legislation.

Electrical connections must be performed by a qualified electrician in compliance with the manufacturer's instructions and legislation in force in the country of installation.

The electrical socket must be accessible.



If necessary, correct alignment of the appliance by positioning the spacers supplied under or at the sides of the support.

USING THE APPLIANCE FOR THE FIRST TIME

- Coffee has been used to factory test the appliance and it is therefore completely normal for there to be traces of coffee in the mill.

The machine is, however, guaranteed to be new.

- You should customise water hardness as soon as possible following the instructions in the “Setting water hardness” section.

1. Connect the appliance to the mains electricity supply and press the main switch (A19).

You must select the required language:

2. To set English, wait for the appliance to display “PRESS OK TO INSTALL ENGLISH”. While the message is displayed, hold the OK button (C5) (fig. 1) down for at least 3 seconds until “ENGLISH INSTALLED” is displayed. If you set the wrong language by mistake, follow the instructions in the section “Changing the language” to choose the right language. Follow the instructions indicated by the appliance:

3. After 5 seconds, the appliance displays “FILL TANK”. To fill the water tank, remove (fig. 2), rinse and fill with fresh water.

Replace the tank and push as far as it will go.

4. Place a cup under the hot water spout (fig. 3). (If the hot water spout is not inserted, the appliance displays “INSERT WATER SPOUT”. Attach it as shown in figure 4.

The appliance now displays: “HOT WATER PRESS OK”.

Press the OK button (C5) (fig. 1) and after a few seconds a little water comes out of the spout.

(Delivery stops automatically).

5. The machine now displays “TURNING OFF... PLEASE WAIT” and goes off.
6. Extract the appliance by pulling it out using the handles (fig. 5). Open the lid and fill the container with coffee beans, then close the lid and push the appliance in.



Important! To prevent malfunction, never introduce pre-ground coffee, freeze dried coffee, caramelised beans or anything else which could damage the appliance.

The coffee maker is now ready for normal use.



N.B.: When using the appliance for the first time, you need to make 4-5 cups of coffee and 4-5 cappuccinos before the appliance starts to give satisfactory results.



N.B.: Each time you turn the coffee maker on by the main switch (A19), it performs a SELF-DIAGNOSIS cycle and then goes off. To turn it on again, turn the ⌚ knob (C6) to the

right or left.

TURNING ON AND HEATING UP

Each time the appliance is turned on, it performs an automatic preheat and rinse cycle which cannot be interrupted.

The appliance is ready for use only after completion of this cycle.



Danger of burns! During rinsing, a little hot water flows from the coffee spouts. Avoid contact with splashes of water.

To turn the appliance on, turn the ⌚ knob (C6) to the right or left (fig. 6). “HEATING UP... PLEASE WAIT” is displayed.

After heating, the message “RINSING” is displayed. As well as heating the boiler, the appliance also heats the internal circuits by circulating hot water.

The appliance is at temperature when the message “READY STANDARD TASTE” is displayed.

MAKING COFFEE USING COFFEE BEANS

1. The appliance is preset to make coffee with a standard taste.

You can also choose coffee with an extra-mild, mild, strong or extra-strong taste.

To choose the required taste, press the ☉ button (C7) (fig. 7). The required coffee taste is displayed.

2. Place 1 cup under the spouts to make 1 coffee (fig. 8) or 2 cups for 2 coffees (fig. 9).

Lower the spouts as near as possible to the cup for a creamier coffee (fig. 10).

3. Press the ☕ button (C8) to make a short coffee (fig. 11), the ☕ button (C9) for a standard coffee and the ☕ button (C10) for a long coffee. To make 2 coffees, press the button twice (within 2 seconds).

To change the quantity of coffee the appliance delivers automatically into the cup, proceed as described in the following section.

(The appliance now grinds the beans and starts delivering the coffee into the cup. Once the set amount of coffee has been delivered, the machine stops delivery automatically and expels the exhausted coffee grounds into the grounds container.

4. After a few seconds, the ready message is displayed again and you can make another coffee.
5. To turn the appliance off, turn the ⌚ knob (C6) to the right or left.

(Before going off, the appliance performs an automatic rinse cycle (a little hot water flows from the spouts and is collected in the drip tray beneath).

Take care to avoid scalds).

NOTE 1: If the coffee is delivered a drop at a time or not at all, turn the grinding adjustment knob (fig. 12) one click clockwise (see "Adjusting the coffee mill").

Proceed one click at a time until coffee delivery is satisfactory.

NOTE 2: If the coffee is delivered too fast and the cream is not satisfactory, turn the grinding adjustment knob (fig. 12) one click anticlockwise (see "Adjusting the coffee mill").

Avoid turning the grinding adjustment knob excessively otherwise when you select 2 cups, the coffee may be delivered a drop at a time.

NOTE 3: Tips for a hotter coffee:

- When you turn the appliance on, if you want to make a short coffee (less than 60 cl / 20.29 oz), rinse the cups with hot water to preheat the cups.

If more than 2/3 minutes have passed since the last coffee was made, before requesting another coffee, you must preheat the infuser by pressing the ☉ button (C4) (fig. 13).

Deliver the water into the underlying drip tray or alternatively use this water to fill (and then empty) the cup to be used for the coffee, so as to preheat it.

- Unless preheated, do not use excessively thick cups as they will absorb too much heat.
- Preheat the cups by rinsing them with hot water.

NOTE 4: While the appliance is making coffee, delivery can be interrupted at any moment by pressing the previously selected button, ☰ (C8), ☱ (C9) or ☲ (C10).

NOTE 5: As soon as delivery is finished, to increase the quantity of coffee in the cup, just hold down the previously selected coffee button, ☰ (C8), ☱ (C9) or ☲ (C10), until the required amount is reached (this must be done within 3 seconds after completion of delivery).

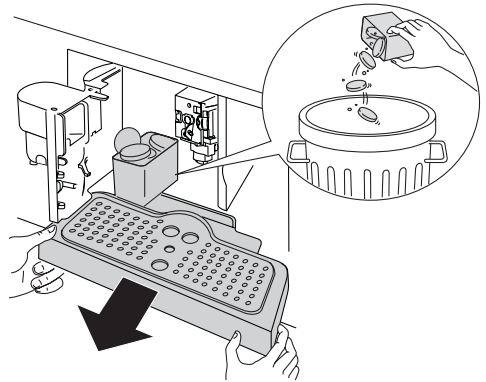
NOTE 6: When the appliance displays "FILL TANK", fill the tank with water or the appliance will not deliver coffee.

(It is normal for there to be a little water left in the tank when the message is displayed).

NOTE 7: After about 14 single (or 7 double) coffees, the appliance displays "EMPTY GROUNDS CONTAINER", indicating that the grounds container is full and must be emptied and cleaned. Until the grounds container has been cleaned, the appliance continues to display the message and coffee cannot be made.

Even if not full, the empty waste coffee container message is displayed 72 hours after the first coffee has been delivered. For the 72 hours to be calculated correctly, the machine must never be turned off with the main switch in the 0 position.

To clean, open the service door on the front of the appliance by pulling the handle (fig. 14), extract the drip tray (fig. 15), empty and clean.



When cleaning, **always extract the drip tray completely** to avoid it falling when the grounds container is removed.

Empty the grounds container and clean thoroughly to remove all residues left on the bottom.



Important! when removing the drip tray, the grounds container **MUST** be emptied, even if it is not completely full. If this is not done, when you make the next coffees, the grounds container may fill up more than expected and clog the machine.

NOTE 8: Never extract the water tank while the machine is delivering coffee.

If it is removed, it will not be possible to make the coffee and the appliance will display "GROUND TOO FINE ADJUST MILL AND INSERT WATER SPOUT AND PRESS OK".

To use the appliance again, insert the hot water spout (fig. 4) if not already in position, then press the OK button (C5) and deliver water from the spout for a few seconds.

CHANGING THE QUANTITY OF COFFEE IN THE CUP

The appliance is set by default to automatically make the following types of coffee:

- short coffee when the ☰ button (C8) is pressed;
- standard coffee when the ☱ button (C9) is pressed;
- long coffee when the ☲ button (C10) is pressed.

To change these quantities, proceed as follows:

- hold down the button corresponding to the quantity you want to change, ☰ (C8), or ☱ (C9) or ☲ (C10), for at least 3 seconds then release until the message "PROGRAM QUANTITY" is displayed and coffee delivery commences;
- when the coffee in the cup reaches the required level, press the same button again to memorise the new amount.

The appliance is now reprogrammed with the new settings and displays: "READY".

ADJUSTING THE COFFEE MILL

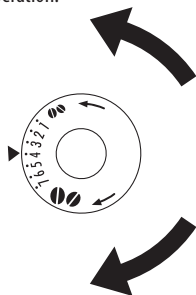
The coffee mill is preset in the factory to make coffee correctly and should not require adjusting initially.

However, if after making the first few coffees you find that delivery is either too fast or too slow (a drop at a time), this can be corrected by adjusting the grinding adjustment knob (fig. 12).

Turn one click clockwise (one number) for more rapid coffee delivery (not a drop at a time).

Turn one click anticlockwise for slower coffee delivery and a creamier coffee. These adjustments will only be evident after at least 2 cups of coffee have been delivered.

The grinding adjustment knob must only be turned when the coffee mill is in operation.



For slower delivery and creamier coffee, turn one click anticlockwise (finer pre-ground coffee).

For faster delivery (not a drop at a time), turn one click clockwise (coarser pre-ground coffee).

(Coffee has been used to factory test the appliance and it is therefore completely normal for there to be traces of coffee in the mill. It is, however, guaranteed to be new.)

MAKING ESPRESSO COFFEE WITH PRE-GROUND COFFEE (INSTEAD OF BEANS)

- Press the ☞ button (C3) (fig. 16) to select the pre-ground coffee function. This disables the coffee mill function.

The appliance now displays the message: “READY PRE-GROUND”.

- Extract the machine by pulling it outwards using the handles.
- Lift the central lid, place one measure of pre-ground coffee in the funnel (fig. 17), push the appliance in then proceed as described in the section “Making coffee using coffee beans”.

N.B.: You can make just one coffee at a time by pressing the ☞ (C8), ☞ (C9) or ☞ (C10) button once only.

- After using the machine with pre-ground coffee, to go back to making coffee using beans, deactivate the pre-ground coffee function by pressing the ☛ button (C7) again to

enable the coffee mill.

NOTE 1: Never introduce pre-ground coffee when the machine is off or it could spread through the inside of the appliance.

NOTE 2: Never add more than 1 level measure, otherwise either the appliance will not make the coffee and the pre-ground coffee will be dispersed inside the appliance, dirtying it, or the coffee will be delivered a drop at a time.

NOTE 3: Use the measure provided to add the right amount of coffee.

NOTE 4: Introduce only pre-ground coffee for espresso coffee machines into the funnel. Never fill with coffee beans, freeze dried coffee or other substance that could damage the appliance.

NOTE 5: If more than one measure of pre-ground coffee is used and the funnel clogs, push the coffee down with a knife (fig. 18) then remove and clean the infuser and machine as described in the “Cleaning the infuser” section.

DELIVERING HOT WATER

- Always make sure the appliance is ready.
- Make sure the hot water spout is in place (fig. 4);
- Position a container under the spout (fig. 3).
- Press the ☞ button (C5) (fig. 1).

The message “HOT WATER” is displayed and hot water flows out of the hot water spout into the container.

(You should not deliver hot water for more than 2 minutes at a time).

To interrupt the flow, press the ☞ button (C5).

Once the set quantity of hot water has been reached, delivery stops automatically.

CHANGING THE QUANTITY OF HOT WATER

The appliance is set by default to automatically deliver about 200 ml / 6.76 oz of hot water.

To change these quantities, proceed as follows:

- Attach the hot water spout (fig. 4).
- Position a container under the spout (fig. 3).
- Hold the ☞ button (C5) down for at least 2 seconds then release it. The message “HOT WATER PROGRAM QUANTITY” is displayed and hot water flows out of the hot water spout.
- When the hot water in the cup reaches the required level, press the ☞ button (C5) to memorise the new amount. (You should not deliver hot water for more than 2 minutes at a time).

MAKING CAPPUCCINO (FROTHED MILK AND COFFEE)

- Select the taste of the coffee you want to use to make the cappuccino by pressing the ☛ button (C7).

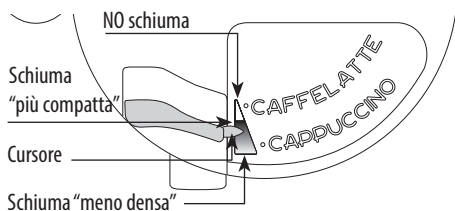
- Remove the lid of the milk container.
- Fill the container with about 100 grams / 0.22 lb of milk for each cappuccino to be prepared (fig. 19). Never exceed the MAX level (corresponding to about 750 ml / 25.36 oz) marked on the jug.

You should ideally use skimmed or semi-skimmed milk at refrigerator temperature (about 5°C).

- Make sure the intake tube is correctly inserted in the rubber washer (fig. 20) then replace the milk container lid.
- Position the frothed milk regulator (B1) between the words CAPPUCCINO and CAFFELATTE printed on the milk container lid.

The quality of froth can be adjusted by moving the frothed milk regulator towards the word CAFFELATTE for a denser froth.

Moving it towards the word CAPPUCCINO obtains a less dense froth.



- Remove the hot water spout (fig 21) and attach the milk container to the nozzle (fig. 22).
- Position the milk tube as shown in fig. 23 and then place a sufficiently large cup under the coffee and milk spouts.
- Turn the ☺ knob (C11) to the right. "CAPPUCCINO..." is displayed and after a few seconds, frothed milk flows out of the milk spout into the cup below. (Delivery stops automatically).
- The appliance then grinds the beans, delivers the coffee and displays the "ready" message again.
- The cappuccino is now ready. Sweeten to taste and, if desired, sprinkle the froth with a little cocoa powder.

NOTE 1: While making cappuccino, the flow of frothed milk or coffee can be interrupted by turning the ☺ knob (C11) to the right.

NOTE 2: If the milk in the container finishes while delivering frothed milk, remove the container and add milk.

Then re-attach it and turn the ☺ knob (C11) to the right to request cappuccino again.

NOTE 3: To ensure the complete cleanliness and hygiene of the milk frother, always clean the circuits in the milk container lid after making cappuccino

- Place a recipient under the milk spout;
- Press the CLEAN button on the lid and hold down for at

least 3 seconds (fig. 25). The appliance displays "CLEANING".

After cleaning, remove the milk container and place in the refrigerator.

The milk should not be left out of the refrigerator for more than 15 minutes.

NOTE 4: To change the quantity of coffee or frothed milk the appliance delivers automatically into the cup, proceed as described in the section "Changing the quantity of coffee and milk for cappuccino".

MAKING FROTHED MILK (WITHOUT COFFEE)

- Remove the lid of the milk container.
- Fill the container with the quantity of milk you want to prepare (fig. 19).
- Replace the lid on the milk container.
- Attach the milk container to the appliance (fig. 22).
- Place a sufficiently large cup under the spout (fig. 23).
- Turn the ☺ knob (C11) to the left. "FROTHED MILK" is displayed and after a few seconds, frothed milk flows out of the milk spout into the cup below.
- After delivery, clean the tubes inside the milk container by pressing the CLEAN button as described in the previous section (note 3).

CHANGING THE QUANTITY OF COFFEE AND MILK FOR CAPPUCCINO

The appliance is set by default to automatically deliver a standard cappuccino.

To change these quantities, proceed as follows:

- Fill the container with milk up to the maximum level indicated on the container.
- Turn the ☺ knob (C11) to the right and keep it turned for at least 3 seconds until "MILK FOR CAPPUCCINO PROGRAM QUANTITY" is displayed. Release the knob. The appliance starts delivering milk.
- Once the required quantity of milk has been delivered, turn the ☺ knob (C11) to the right again. Milk delivery stops. (You should not deliver frothed milk for more than 3 minutes at a time.)
- After a few seconds, the appliance delivers coffee into the cup and displays "COFFEE FOR CAPPUCC. PROGRAM QUANTITY".
- Once the required quantity of coffee has been delivered, turn the ☺ knob (C11) to the right again. Coffee delivery stops.

The appliance is now re-programmed with the new settings and displays: READY.

CLEANING AND MAINTENANCE

Before performing any cleaning operations, leave the machine to cool down completely and unplug from the mains power supply.

Never immerse the coffee maker in water. It is an electrical appliance.

Do not use solvents or abrasive detergents to clean the coffee maker. A soft damp cloth will suffice. Never wash any of the components of the coffee maker in the dishwasher.

Cleaning the coffee maker

The following parts of the machine must be cleaned regularly:

- Coffee grounds container (A4).
- Drip tray (A11).
- Water tank (A9).
- Coffee spouts (A10).
- Pre-ground coffee funnel (A17).
- Inside of the machine, accessible after opening the service door (A2).
- Infuser (A5).

Cleaning the coffee grounds container

When "EMPTY GROUNDS CONTAINER" is displayed, the grounds container must be emptied and cleaned.

Until the grounds container has been cleaned, the appliance continues to display the message and coffee cannot be made.

To clean:

- Open the service door (A2) on the front of the appliance (fig. 14), extract the drip tray (A11) (fig. 15), empty and clean.
- Empty the grounds container and clean thoroughly to remove all residues left on the bottom.



Important! When removing the drip tray, the grounds container must be emptied, even if it is not completely full. If this is not done, when you make the next coffees, the grounds container may fill up more than expected and clog the machine.

Cleaning the drip tray



Important! If the drip tray is not emptied regularly, the water could overflow from the edge and seep inside or around the coffee maker. This could damage the appliance and cabinet.

The drip tray is fitted with a level indicator (red) showing the level of water it contains (fig. 31).

Before the indicator protrudes from the cup tray, the drip tray must be emptied and cleaned.

To remove the tray:

1. Open the service door (A2) (fig. 14).
2. Remove the drip tray (A11) and the grounds container (A4) (fig. 15).
3. Empty the drip tray and grounds container and wash them.
4. Replace the drip tray complete with grounds container.
5. Close the service door.

Cleaning the water tank

1. Clean the water tank (A9) regularly (about once a month) with a damp cloth and a little mild washing up liquid.
2. Clean to remove all washing up liquid residues, then rinse the water tank thoroughly.

Cleaning the spouts

1. Clean the coffee spout nozzles (A10) periodically using a sponge or cloth (fig. 27).
2. Check regularly that the holes in the coffee spout are not blocked.
If necessary, remove coffee deposits with a toothpick (fig. 26).

Cleaning the pre-ground coffee funnel

- Check regularly (about once a month) that the pre-ground coffee funnel (A17) is not blocked.
If necessary, remove coffee deposits with a knife (fig. 18).



Danger! Before performing any cleaning operations, the machine must be turned off by pressing the main switch (A19) and unplugged from the mains power supply. Never immerse the coffee maker in water.

Cleaning the inside of the coffee maker

1. Check regularly (about once a week) that the inside of the appliance is not dirty.
If necessary, remove coffee deposits with a knife and a sponge.
2. Remove the residues with a vacuum cleaner (fig. 30).

Cleaning the infuser

The infuser (A5) must be cleaned at least once a month.



Important! The infuser (A5) must not be removed when the appliance is on.

Do not attempt to use force to remove the infuser as this could damage the coffee maker.

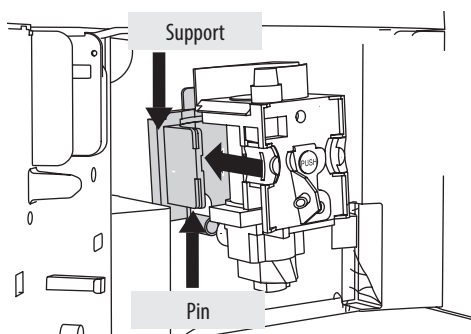
1. Make sure the machine is correctly turned off (see "Turning the appliance off").

- Open the service door (A2) (fig. 14).
- Remove the drip tray (A11) and grounds container (fig. 15).
- Press the two red release buttons inwards and at the same time pull the infuser outwards (fig. 28).

! **Important!** Do not use washing up liquid to clean the infuser.

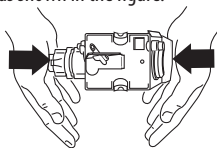
It would remove the lubricant applied to the inside of the piston, causing the infuser to seize up and become unusable.

- Soak the infuser in water for about 5 minutes, then rinse under the tap.
- After cleaning, replace the infuser (A5) by sliding it onto the internal support and pin at the bottom;

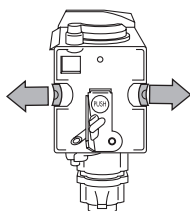


then push the PUSH symbol fully in until it clicks into place.

i **N.B.:** If the infuser is difficult to insert, you must first adapt it to the right dimensions by pressing it forcefully from the bottom and top as shown in the figure.



- Once inserted, make sure the two red buttons have snapped out.
- Replace the drip tray (A11) and grounds container.
- Close the service door (A2).

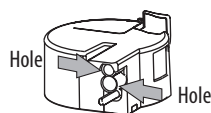
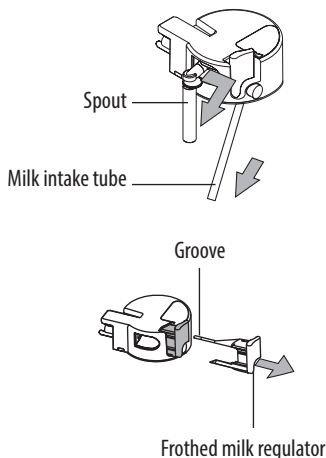


Cleaning the milk container




Important! Always clean the tubes inside the milk container (B) when you prepare milk. If there is still milk in the container, do not leave it out of the refrigerator for longer than strictly necessary. Clean the container each time you prepare milk as described in Note 3 in the section "Making cappuccino".

- Turn the milk container lid clockwise then remove it.
- Remove the milk spout and intake tube.



- Remove the frothed milk regulator by pulling it outwards.
- Wash all the components thoroughly with hot water and mild washing-up liquid. Make sure there are no milk residues left inside the holes and the groove on the fine end of the frothed milk regulator.
- Check that the intake tube and spout are not clogged with milk residues.
- Replace the frothed milk regulator, milk spout and intake tube.
- Replace the milk container lid.

CHANGING AND SETTING MENU PARAMETERS

After turning the  knob (C6) to the right or left and waiting for the appliance to be ready, you can use the internal menu to modify the following parameters and functions:

- CLOCK
- ON 7:30
- AUTO-START NO

- DESCALE NO
- TEMPERATURE MEDIUM
- OFF AFTER 1 HOUR
- WATER HARDNESS 4
- DEFAULT VALUES NO

Setting the clock


To set the clock, proceed as follows:

- Press the MENU button (C2) (the light over the button comes on) then press the NEXT button (C3) repeatedly until the appliance displays: "CLOCK... 00:00".
- Press the CHANGE button (C4) to set the clock.
(If you hold the CHANGE button (C4) down, the time is changed rapidly).
- Press the OK button (C5) to confirm.
- Press the MENU button (C2) to exit programming mode or NEXT (C3) to change other parameters.

Setting auto-start time

This function programmes the time the machine will come on automatically to be ready for use.

- Make sure the clock on the appliance is set as described in the previous section.
- Press the MENU button (C2) (the light over the button comes on) then press the NEXT button (C3) repeatedly until the appliance displays: "START TIME... 00:00".
- Press the CHANGE button (C4) to set the auto-start time.
(If you hold the CHANGE button (C4) down, the time is changed rapidly).
- Press the OK button to confirm the value;
- Press the NEXT button (C3) once and the appliance displays the message: "AUTO-START NO".
Press the CHANGE button (C4) to modify the function (the machine displays "AUTO-START YES").
- Press the OK button (C5) to activate auto-start;

NOTE: when the machine is off and an auto-start time has been set, the  symbol appears alongside the time on the unit display.

- Press the MENU button (C2) to exit programming mode or NEXT (C3) to change other parameters.

Descaling



Important! Before descaling, make sure the water softener filter has been removed.



Important! Descaler contains acids which may irritate the skin and eyes. It is vital to respect the manufacturer's safety warnings given on the descaler pack and the warnings

relating to the procedure to follow in the event of contact with the skin and eyes.



N:B:: Use the descaler recommended by the manufacturer only. Use of other descalers invalidates the guarantee. Failure to descale the appliance as described also invalidates the guarantee.

Over time, constant heating up of the water used to make the coffee leads to limescale building up in the inner circuits of the appliance.

When "DESCALE" is displayed, the machine requires descaling. Proceed as follows:

- press the MENU button (C2) (the light over the button comes on) then press the NEXT (C3) button repeatedly until the appliance displays "DESCALE NO";
- press the CHANGE button (C4) and the appliance displays "DESCALE YES"
- press the OK button (C5) to start the descale programme;
- empty the water tank, pour the contents of the descaler bottle into the tank respecting the instructions given on the descaler pack, then add water.

When descaling subsequently, use descaler of the same type and brand as supplied (available from the manufacturer's authorised Customer Services) or a descaler recommended by Customer Services. Always follow the instructions on the pack.

- attach the hot water spout to the nozzle;
- place a container with a minimum capacity of 2 litres / 67.63 oz under the hot water spout (fig. 3);
- press the OK button (C5). Descaler flows out of the hot water spout into the container below.
"APPLIANCE IN DESCALING" is displayed;
- the descale programme automatically performs a series of deliveries and pauses to remove limescale deposits from inside the machine.
- After about 30 minutes, the appliance displays "RINSING FILL TANK".

The appliance must now be rinsed through to eliminate residues of descaling solution from inside the appliance. Proceed as follows:

- Empty the water tank, rinse and fill with clean water.
- Replace the tank;
- Empty the full container and put back under the hot water spout;
- Press the OK button (C5). Hot water flows out of the spout into the container below and the appliance displays "RINSING";
- When the water tank is empty, the appliance displays the message "RINSING COMPLETE... PRESS OK";

- Press the OK button (C5) and refill the water tank with clean water.
- The descale programme is now terminated and the appliance is ready to make coffee again.

NOTE: If descaling is interrupted before completion, the machine still displays the descaling message and the process must be begun again from the beginning.

Empty the water tank, rinse with clean water and deliver a cup of hot water.



Important! FAILURE TO DESCALE THE APPLIANCE REGULARLY INVALIDATES THE GUARANTEE.

Changing coffee temperature

To change coffee temperature, proceed as follows:

- press the MENU button (C2) (the light over the button comes on) then press the NEXT button (C3) repeatedly until the appliance displays “TEMPERATURE HIGH...”;
- press the CHANGE button (C4) until the appliance displays the required coffee temperature;
- press the OK button (C5) to confirm the temperature selected;
- Press the MENU button (C2) to exit programming mode or NEXT (C3) to change other parameters.

Changing the length of time the appliance remains on

The appliance is set by default to go off automatically 30 minutes after the last coffee has been made.

To change this interval (max. 120 min), proceed as follows:

- Press the MENU button (C2) (the light over the button comes on) then press the NEXT button (C3) repeatedly until the appliance displays “OFF AFTER...”
- Press the CHANGE button (C4) to change the number of hours the appliance remains on.
- Press the OK button (C5) to confirm.
- Press the MENU button (C2) to exit programming mode or NEXT (C3) to change other parameters.

Setting water hardness

The descale message is displayed after the appliance has been operated for a factory set period of time calculated on the basis of the maximum quantity of limescale which may be contained in the water used.

The operating period can be extended if required, making descaling less frequent by programming the machine on the basis of the real lime content in the water used.

Proceed as follows:

- remove the “Total Hardness Test” strip (attached to page 2)

from its packaging then dip it fully in the water for a few seconds,

Then remove and wait about 30 seconds (until it changes colour and forms red squares).

- switch the machine on by turning the ① knob (C6) to the right or left (fig. 6);
- press the MENU button (C2) then press the NEXT button (C3) repeatedly until the appliance displays “WATER HARDNESS 4”;
- press the CHANGE button (C4) repeatedly until the number coincides with the number of red squares on the test strip (for example, if there are 3 red squares on the test strip, press the button until “WATER HARDNESS 3” is displayed).
- press the OK button (C5) to confirm.

The coffee maker is now programmed to provide the descale warning when necessary based on the actual hardness of the water.

Resetting default values (reset)

If you change the original values, the default values can be reset as follows:

- Press the MENU button (C2) then press the NEXT button (C3) repeatedly until the appliance displays “RESET TO DEFAULT NO”;
- press the CHANGE button (C4) and the appliance displays “RESET TO DEFAULT YES”;
- press the OK button (C5) to reset the default values;
- The appliance is now reset to the default settings and the “READY” message is displayed.

Washing procedure

This function is available to customer services personnel only.

CHANGING THE LANGUAGE

To change the language, press the CHANGE button (C4) for at least 5 seconds until the appliance displays the installation message in various languages.

Select the required language as described in the section “Using the appliance for the first time”.

TURNING THE APPLIANCE OFF

Each time the appliance is turned off, it performs an automatic rinse cycle which cannot be interrupted.



Danger of burns! During rinsing, a little hot water flows from the coffee spouts. Avoid contact with splashes of water.

To turn the appliance off, turn the ① knob (C6).

The appliance performs the rinse cycle then goes off.



N.B.: If the appliance is not used for an extended period, place the main switch (A19) on the back of the appliance in the 0 position.

TECHNICAL SPECIFICATION

Voltage: 220-240 V~ 50/60 Hz max. 10A

Absorbed power: 1350W

Pressure: 15 bars

Water tank capacity: 1.7 litres / 57.48 oz

Size LxHxD: 595 x 455 x 412 mm / 23.43 x 17.91 x 16.22 in

Weight: 26 kg / 57.32 lb



The appliance complies with the following EC directives:

- Low Voltage Directive 2006/95/EC and subsequent amendments;
- EMC Directive 2004/108/EC and subsequent amendments
- EC Regulation 1275/2008 for standby

Materials and accessories coming into contact with food conform to European regulation (EC) no. 1935/2004.

DISPOSING OF THE APPLIANCE



In compliance with European directive 2002/96/EC, the appliance must not be disposed of with household waste, but taken to an authorised waste separation

and recycling centre.


DISPLAYED MESSAGES

DISPLAYED MESSAGE	POSSIBLE CAUSE	REMEDY
FILL TANK	The water tank is empty or positioned incorrectly.	Fill the tank with water and/or insert it correctly, pushing it as far as it will go.
GROUND TOO FINE ADJUST MILL Insert water spout and press OK (C5)	The grinding is too fine and the coffee is delivered too slowly. The machine cannot make coffee as there is air in the hydraulic circuit.	Turn the grinding adjustment knob one click clockwise towards "7". Insert the hot water spout, press the OK button (C5) and deliver water from the spout for a few seconds.
INSERT WATER SPOUT	The hot water spout is not inserted or is inserted incorrectly.	Insert the hot water spout as far as it will go.
INSERT GROUNDS CONTAINER	The grounds container (A4) is too full or more than 3 days have passed since you last made coffee (this guarantees correct hygiene of the machine).	Empty the grounds container and clean, then replace. Important: when removing the drip tray, the grounds container MUST be emptied, even if it is not completely full. If this is not done, when you make the next coffees, the grounds container may fill up more than expected and clog the machine.
INSERT GROUNDS CONTAINER	After cleaning, the grounds container has not been replaced.	Open the service door and insert the grounds container.
INSERT MILK CONTAINER	The milk container is not inserted.	Insert the milk container as far as it will go.
ADD PRE-GROUND COFFEE	With the pre-ground function selected, pre-ground coffee has not been poured into the funnel. The funnel (A17) is blocked.	Extract the appliance and place pre-ground coffee in the funnel. Empty the funnel with the help of a knife, as described in the section "Cleaning the pre-ground coffee funnel".
DESCALE!	The machine must be descaled.	The descaling procedure described in the "Descaling" section needs to be performed as soon as possible.
LESS COFFEE	Too much coffee has been used	Select a milder taste or reduce the quantity of pre-ground coffee, then make the coffee again
FILL BEANS CONTAINER	The coffee beans have run out.	Fill beans container
INSERT INFUSER ASSEMBLY	The infuser has not been replaced after cleaning.	Insert the infuser as described in the section "Cleaning the infuser".
CLOSE DOOR	The service door is open	Close the service door.
GENERAL ALARM!	The inside of the appliance is very dirty.	Clean the inside of the appliance thoroughly, as described in the section "Cleaning and maintenance". If the message is still displayed after cleaning, contact a customer services.

TROUBLESHOOTING

Below is a list of some of the possible malfunctions.

If the problem cannot be resolved as described, contact Customer Services.

PROBLEM	POSSIBLE CAUSE	REMEDY
The coffee is not hot.	The cups were not preheated. The infuser has cooled down because 2/3 minutes have elapsed since the last coffee was made.	Heat the cups by rinsing them in hot water or leaving them to rest for at least 20 minutes on the cup warmer tray. Before making coffee, heat the infuser by pressing the  button (C4).
The coffee is not creamy enough .	The coffee is ground too coarsely. Wrong type of coffee	Turn the grinding adjustment knob one click anticlockwise towards "1" while the coffee mill is in operation. Use a type of coffee for espresso coffee makers.
The coffee is delivered too slowly or a drop at a time.	The coffee is ground too finely.	Turn the grinding adjustment knob one click clockwise towards the 7 while the coffee mill is in operation. Continue one click at a time until coffee delivery is satisfactory. The effect is only visible after delivering two coffees.
The coffee is delivered too quickly.	The coffee is ground too coarsely.	Turn the grinding adjustment knob one click anticlockwise towards "1" while the coffee mill is in operation. Avoid turning the grinding adjustment knob excessively otherwise when you select 2 cups, the coffee may be delivered a drop at a time. The effect is only visible after delivering two coffees.
Coffee does not come out of one of the spouts.	The spouts are blocked.	Clean the spouts with a toothpick (fig. 26).
The coffee does not come out of the spouts, but from around the service door (A2).	The holes in the spouts are clogged with dry coffee dust. The coffee guide (A3) inside the service door is blocked and cannot swing.	If necessary, remove coffee deposits with a toothpick, sponge or stiff bristled kitchen brush. Thoroughly clean the coffee guide (A3), particularly near the hinges.
Water comes out of the spouts instead of coffee.	The pre-ground coffee may be blocked in the funnel (A17).	Clean the funnel (A17) with a wooden or plastic fork, clean the inside of the appliance.
The milk does not come out of the milk spout (B5).	The intake tube is not inserted or is inserted incorrectly.	Insert the intake tube (B4) in the rubber washer in the milk container lid (fig. 20).
The milk is not well frothed.	The milk container lid is dirty. The frothed milk regulator is not positioned correctly.	Clean the milk container lid as described in the section "Cleaning the milk container". Adjust following the instructions in the section "Making cappuccino".

PROBLEM	POSSIBLE CAUSE	REMEDY
The milk contains bubbles or squirts out of the milk spout.	<p>The milk is not cold enough or is not semi-skimmed.</p> <p>The frothed milk regulator is incorrectly adjusted.</p> <p>The milk container lid is dirty.</p>	<p>You should ideally use skimmed or semi-skimmed milk at refrigerator temperature (about 5°C / 41°F). If the result is still disappointing, try another brand of milk.</p> <p>Move the frothed milk regulator slightly towards the word "CAFFELATTE" (see section "Making cappuccino").</p> <p>Clean the milk container lid as described in the section "Cleaning the milk container".</p>

RECIPES

Coffee punch

Ingredients (serves 6):

½ l / 16.91 oz of hot coffee

½ l / 16.91 oz of white Port

½ l / 16.91 oz of rum

100 g / 0.22 lb of candied brown sugar

Method: Pour the coffee into a pot, add the rum and the Port and heat until it reaches boiling point. Gradually add the candied sugar, tasting now and then until sufficiently sweet. When the sugar has dissolved serve in traditional, short stemmed glasses.

Emperor's coffee

Ingredients (serves 3):

3 espresso coffees

3 egg yolks

3 teaspoons of sugar

3 dl / 10.14 oz of milk

2 small glasses of brandy

Method: Beat the egg yolks with the sugar and the brandy.

Add hot milk and hot coffee.

RECIPE TIP: lightly whip the milk and add slowly at the very last ingredient. Best served accompanied by a chocolate cake.

Danish coffee

Ingredients:

6 eggs

grated rind of one lemon

100 g / 0.22 lb of sugar

¾ l / 25.36 oz strong, cold coffee

1 large glass of brandy

Method: Beat the eggs and the lemon rind, and then add the sugar a little at a time until the eggs become light and airy. Slowly add the coffee and the brandy, stirring constantly. Serve in chilled teacups or "Ballon" glasses.

Irish coffee

Ingredients (serves 3):

2 spoons of sugar

1 spoon of water

9 teaspoons of whipping cream

6 spoon of Irish Whisky

4 cups of hot coffee

Method: Boil the water and the sugar for approximately one minute then add to the Whiskey and the hot coffee. Mix and pour into stem glasses. Carefully pour the cream onto the coffee (3 teaspoons per glass).

RECIPE TIP: lightly whip the cream so that it stays on top of the coffee. Grand Marnier or Calvados can also be added.

Coffee sorbet

Ingredients (serves 4):

200 g / 0.44 lb of granulated sugar

2 dl / 6.76 oz of espresso coffee

Method: Combine ½ l / 16.91 oz of water and the sugar to make a syrup and simmer for a few minutes; allow it to cool then mix in the coffee. Filter as soon as a smooth mixture is obtained then place in the freezer to set, mixing often until of a grainy consistency.

Iced coffee

Ingredients:

4 espresso coffees

4 teaspoons of sugar

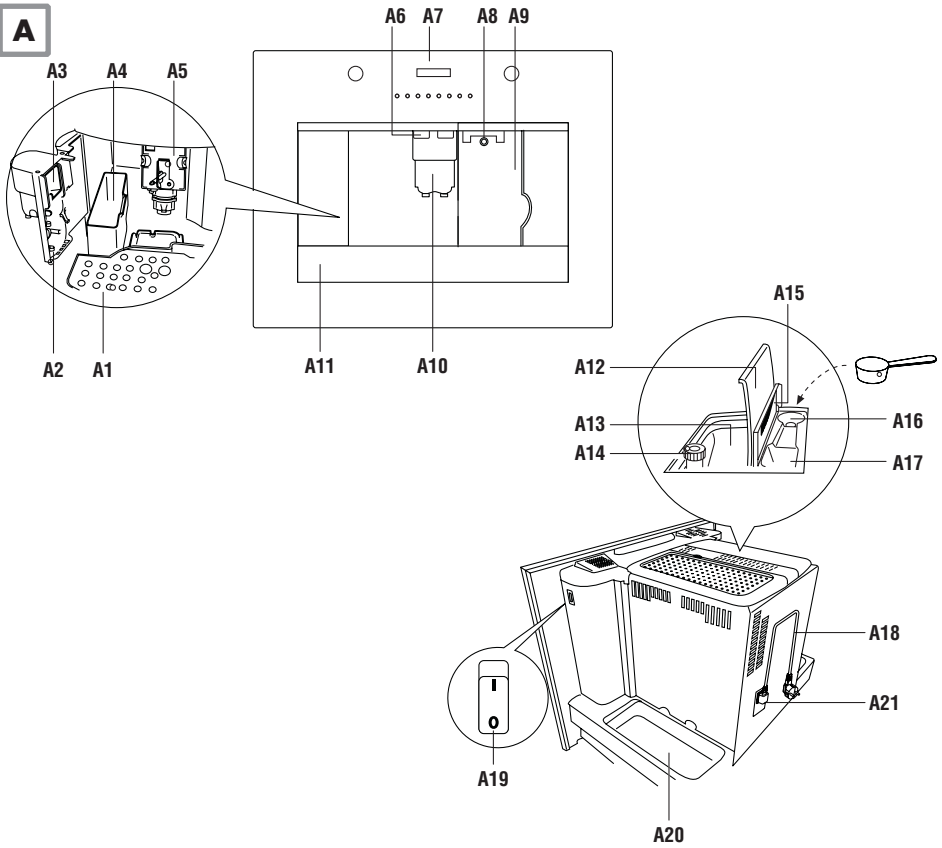
12 ice cubes

Method: Crush the ice and add to the pre-sugared coffee.

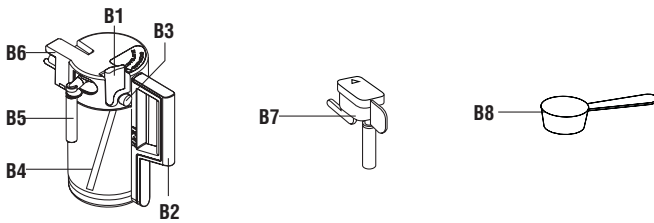
Shake in a shaker until a frothy, creamy mixture is obtained.

RECIPE TIPS: blend on a low blender setting and serve in a flute or glass tumbler.

A



B



C

