

# 36"

## CULINARIAN SERIES



### RANGE-TOP



Power Burner



12" Griddle  
12" BBQ Grill



Cast Iron Wok Grate  
Accessory



## CGRT366

### 36" RANGE-TOP FEATURES

- \* ALL BURNERS ARE RATED AT 23,000 Btu / hr to deliver intense commercial kitchen heat to sauté food and all burners are capable of turning down to give 145° F simmer.
- \* Commercial Quality Broiler Grates With Cast Iron Grease Gutters.
- \* Quality Cast Iron Grates and Burners Porcelain Coated.
- \* HYBRID RADIANTS With Ceramic Rods Encased in Stainless Steel Sheet Metal.
- \* 18,000 BTU Thermo-Griddle-Plate™- 3/8" thick 12" Width Stainless steel thermostatically controlled .
- \* EZ-Glides™ - Full extension removable drip trays mounted on ball bearing rails.
- \* Stay-Cool™ - Die cast, chrome plated metal knobs with Black Trims (cabernet red optional) Auto-ignition/re-ignition on all burners.  
Stainless steel BBQ grill and griddle covers come standard.

### AVAILABLE ACCESSORIES

- Conversion kits.
- Birch wood chopping blocks.
- Cabernet Red knobs.
- P36SHS - 18" stainless steel wall mount high shelf.
- P36SLB - 9" stainless steel wall mount low back .
- CWR Cast Iron Wok ring.
- PSVH36L - 36" Performance Series vent hood w/ 1200 CFM blower + lights.
- PSVH36HL - 36" Performance Series vent hood w/ 1200 CFM blower + heat lamps + lights.
- Duct covers.

### SHIPPING WEIGHT

220 LBS

### ELECTRICAL RATINGS

VOLTAGE	CURRENT/POWER	FREQUENCY
120 VAC	15 AMP	60 HZ

### GAS RATINGS

	NATURAL GAS	PROPANE
Manifold pressure:	5.0" W.C.	10" W.C.
Gas Line Pipe:	1/2" Min.	

\* Capital Exclusive Features





**Power-Flo OpenTop Burner**  
23,000 btus/hr

**Simmer**  
turning down to give 145° F

**Optional Cabernet**  
red knobs

**HYBRID RADIANTS**  
Ceramic Rods & Stainless Steel

**Broiler Grates**  
Commercial Quality Cast Iron

## WARRANTY

ONE (1) Year full parts and labor covers entire product. (Light bulbs covered for 60 days after installation)

FIVE (5) Years limited part replacement warranty. Covers part replacement, as noted below, due to malfunction during normal operation.

Ranges\*, Range Tops\*, & Ovens\*: All Burners, Heating Elements, Grates\*, Griddle Plates, & Oven Racks

Barbeques: Gas Valves & all burners (excluding infrared burners)

\*Excludes Porcelain Enamel Coating for ovens and grates. Porcelain enamel is prone to wear over time and use.

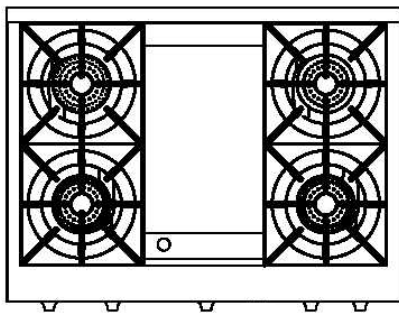
LIFETIME warranty (non-transferable) on stainless steel sheet metal body parts against rust. (Excludes damage and normal heat discoloration). Does not include barbeque grates.

## OTHER

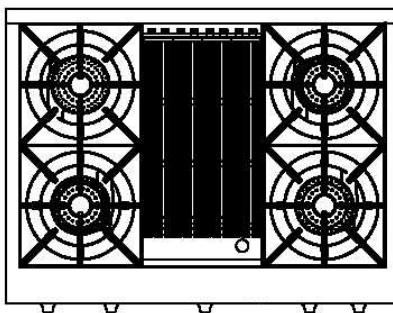
0" clearance base cabinet installation

Field convertible to LP or NG depending on gas type

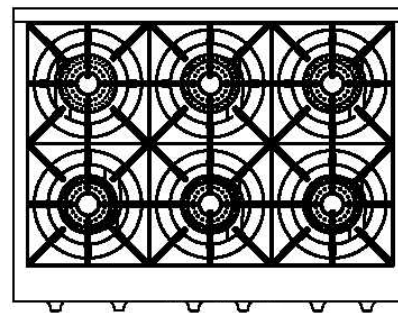
## 36" RANGE-TOP



CGRT362G2 – 36"  
Four burner gas w/12"-Thermo-Griddle



CGRT362B2 – 36"  
Four burner gas w/12" BBQ Grill



CGRT366 – 36"  
Six burner gas



Capital Cooking Equipment Inc.  
1085 Bixby Drive  
City of Industry, CA 91745-1704

Phone: 323-722-7900  
Toll Free: 888-383-8800  
E-mail: sales@capital-cooking.com

Made in the U.S.A.  
Visit our web site:  
www.capital-cooking.com

# CUT-OUT DIMENSIONS

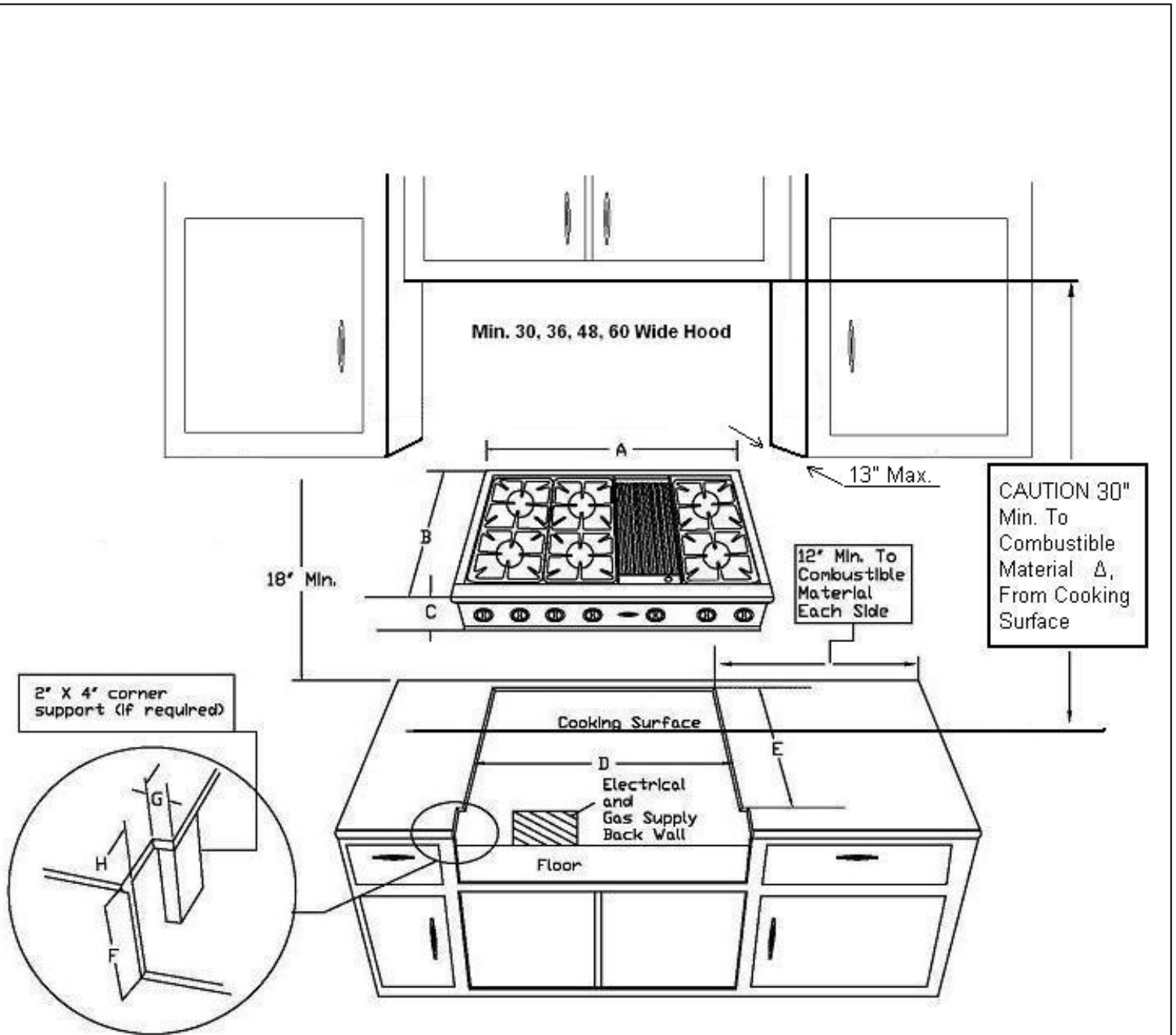


FIG 1

MODELS	A	B	C	D	E	F	G	H
CGRT30 Models	29-7/8	26-5/8	8-5/16	28-15/16	23-1/8	7-1/2	1/2	2-1/2
CGRT36 Models	35-7/8	26-5/8	8-5/16	34-15/16	23-1/8	7-1/2	1/2	2-1/2
CGRT48 Models	47-7/8	26-5/8	8-5/16	46-15/16	23-1/8	7-1/2	1/2	2-1/2
CGRT60 Models	59-7/8	26-5/8	8-5/16	58-15/16	23-1/8	7-1/2	1/2	2-1/2



# RANGETOP & BACK GUARD DIMENSIONS

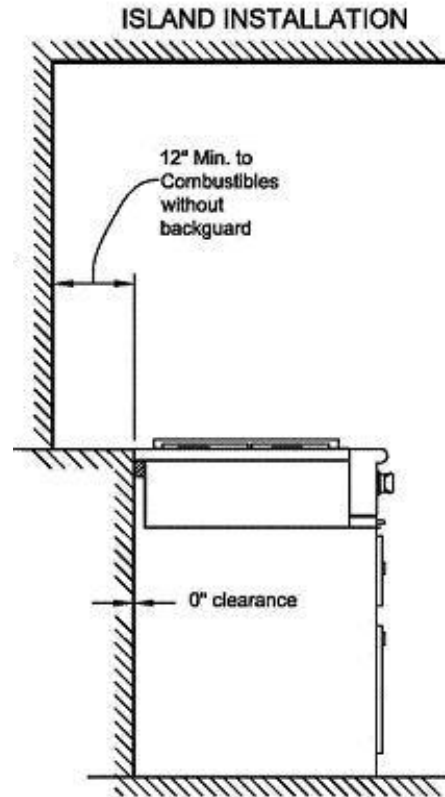
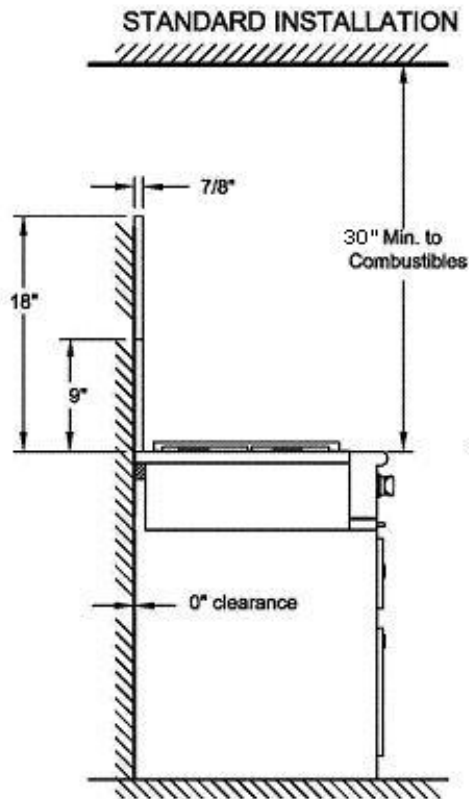


FIG 4  
RANGE TOP

