

GLIDE-36-1

36" BUILT-IN RANGE HOOD



Our sleek and stylish range hoods incorporate advanced features and functionalities designed to exhaust airborne grease, fumes, heat, steam and cooking odors quickly and easily. By removing excess heat and humidity from your kitchen, you create a much more comfortable environment and keep your walls and cabinets clean.



PRODUCT FEATURES

- 36" (90cm) stainless steel built-in glide-out range hood
- LED lighting (3,200 Lumens)
- 2 speed adjustment
- 2 x dishwasher safe honey comb filters
- Electronic switch controls
- Quiet (7 sones/56dB) 300 CFM motor
- Top vent for exterior ventilation

TECHNICAL SPECIFICATIONS

- Power Supply: 110-120 V, 60 Hz
- Rated Input Power: 122W
- Lighting Power: 2 x 1W
- Motor Power: 120W
- PORTER&CHARLES Range Hoods are supplied with a Canadian cord and plug.
- Electrical cord located 3^{1/8"} (79mm) from the top right corner of the unit at the rear.

DIMENSIONS

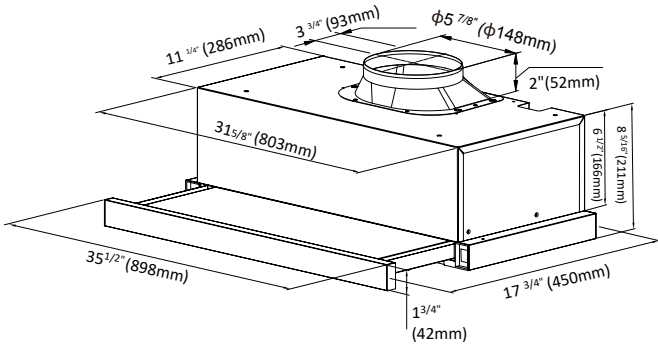
- D: 11^{1/4"} (17^{3/4"} - Opened) x W: 35^{1/2"} x H: 8^{5/16"}
- D: 286mm (450mm - Opened) x W: 898mm x H: 211mm

GLIDE-36-1 SPECIFICATIONS



INSTALLATION DIAGRAM FOR DUCTLESS/RECIRCULATION

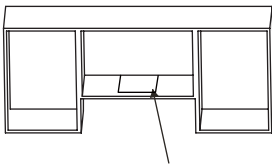
PRODUCT DIMENSIONS



CABINET PREPARATION FOR HOOD SUPPORT

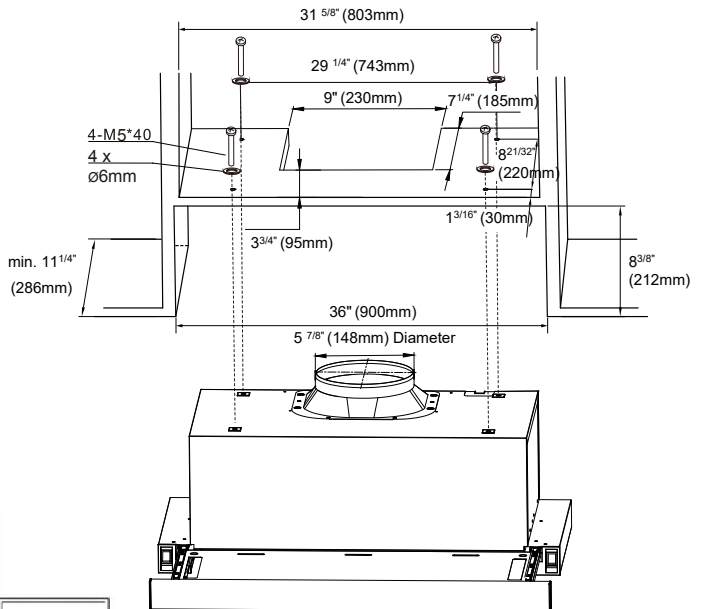
Hood Clearance

The range hood should be mounted at a minimum of 24" from an electric or induction cooktop, and a minimum distance of 30" above a gas cooktop for safety and optimum performance.



*Placement of ductwork and electrical cut out in cabinet

PLACEMENT OF DUCTWORK & ELECTRICAL CUT OUT IN CABINET



RECOMMENDED CABINET MINIMUM CLEARANCE

