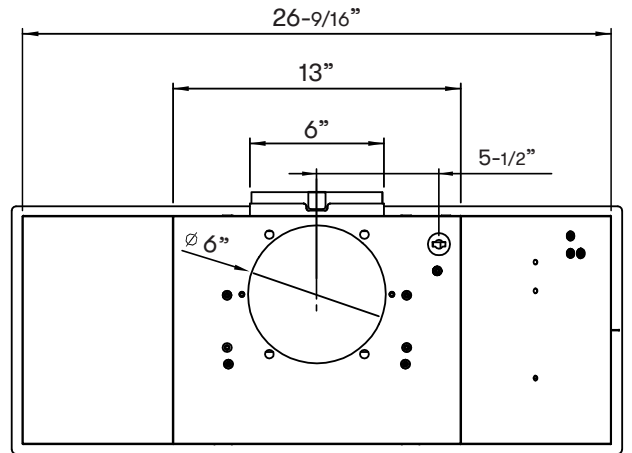
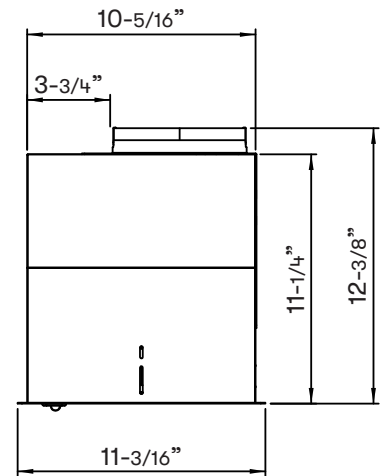


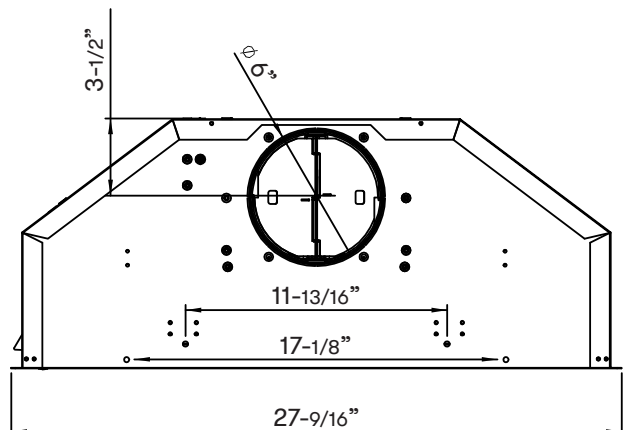
Cabinet Bottom Cut-Out Size (W x D): 26-7/8" x 10-5/8"



TOP



SIDE



BACK

MODEL

Stainless Steel	AK8100BS
Size	28" (27-9/16")

BLOWER PERFORMANCE

Blower CFM (Min. - Max.)	200 - 600
Sones (Min. - Max.)	1.4 - 6

FEATURES

Controls	Mechanical Slide
Speed Levels	3
Auto Delay-Off	No
Lighting	LumiLight LED, 6W x2
Dual-Level Lighting	Yes
Filters	Hybrid Baffle x2
Recirculating Option	Yes

DUCT SPECIFICATIONS

Vertical Internal Blower	6" Round
Horizontal Internal Blower	6" Round
AC POWER	120V, 60Hz at Max. 3A

OPTIONAL ACCESSORIES

30" Liner (17-1/2" - 20-1/2" Depth)	AK0800AS
36" Liner (17-1/2" - 20-1/2" Depth)	AK0836AS
Recirculating Kit	ZRC-0080
Make-Up Air Kit	MUA006A

MOUNTING HEIGHT RANGE*

Electric Cooking Surface	20" - 36"
Gas Cooking Surface	24" - 36"

WARRANTY	10 years parts, 1 year labor
-----------------	------------------------------

*Mounting height refers to distance between top of a 36" tall cooking surface and bottom of hood.