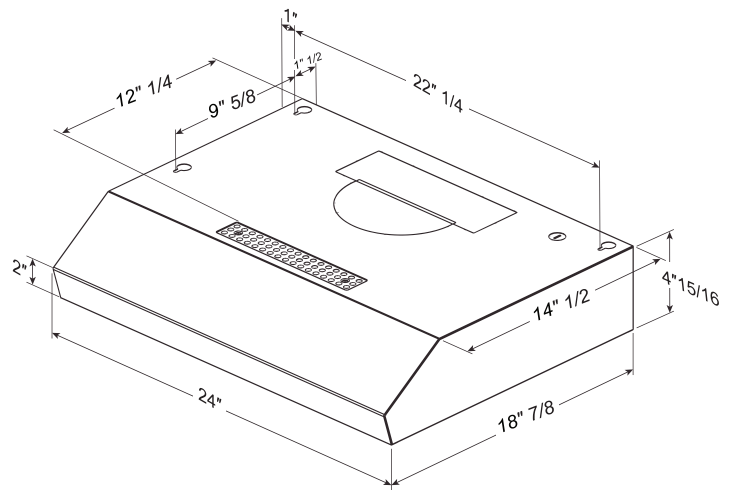




ELICA'S EXCLUSIVE
 PLUS FEATURES

GUBBIO is the perfect option for a functional kitchen with reduced spaces. With a powerful aspiration of 250 CFM, three speeds and LED lights, this undercabinet Hood is ideal for builder projects.



MOUNTING
 HEIGHT
 RANGE



SPECIFICATIONS

| | |
|--------------------------------|---|
| Width: | 24" UNIT |
| Model: | EGB224SS |
| Dimensions: | 24 (61 cm) x 18 7/8" (48 cm) x 4 15/16" (12.5 cm) |
| Blower Type(internal): | Internal S15, 3 speeds |
| Blower Performance: | 250 CFM |
| Speed 1 | 100 |
| Speed 2 | 160 |
| Speed 3 | 250 CFM |
| Speed 4 | - |
| Noise (sones): Woking Speed | 2.5 WS Horizontal 2.5 WS Vertical 3 1/4" x 10" 3 WS Vertical 7" |
| Finish: | Stainless Steel 2B P4 |
| Controls: | Slider control |
| Illumination: | 2 LED, 2.1 Watts |
| Filter Type: | 2 Aluminum mesh |
| Duct transition: | Top or rear Rectangular duct 3 1/4" x 10" |
| Installation Type: | Ducted |
| Electrical: | 120 V, 60 Hz |
| KITS: | |
| Recirculating kit | KITO2726 |
| No return valve 7" | KITO2723 |
| Duct Transition 7" | KITO2722 |
| CONSUMABLE PARTS: | |
| Replacement Light Bulb (1) | LMP0117673 |

*The product images shown are for illustration purposes only and may not be an exact representation of the product.

PLUS FEATURES



LED LIGHT - LED lighting is undoubtedly the smartest solution in terms of energy saving. Expected life time of over 20,000 hours, represents the most remarkable advantage of LED light bulbs.