

CORE

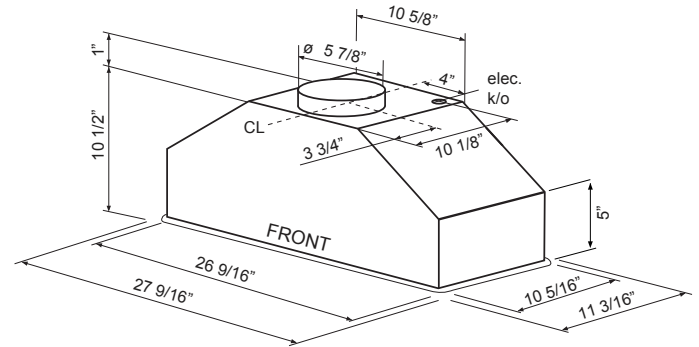
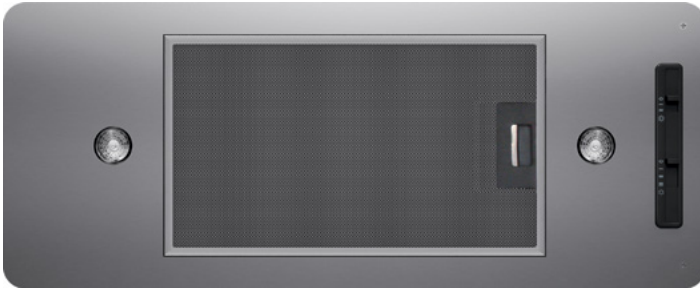
TWISTER

INSERT

The 3-speed Twister with halogen lighting hides the ventilation you need beneath your custom, built-in canopy. An optional liner extends and beautifies the hood and protects your cabinetry.

**ZEPHYR**

ZEPHYRONLINE.COM



Cabinet Bottom Cut-Out Size (W x D): 26 3/4" x 10 1/2"



<b>MODEL</b>	
Stainless Steel	AK8000BS
<b>Size</b>	28" (27-9/16")
<b>Blower CFM (Min. - Max.)</b>	210 - 400
<b>Sones (Min. - Max.)</b>	2 - 5
<b>FEATURES</b>	
<b>Controls</b>	Mechanical Slide
<b>Speed Levels</b>	3
<b>Lighting</b>	Halogen, 35W x2
<b>Dual-Level Lighting</b>	Yes
<b>Filters</b>	Aluminum Mesh x1
<b>Recirculating Option</b>	Yes
<b>DUCT SPECIFICATIONS</b>	
<b>Vertical Internal Blower</b>	6" Round
<b>Horizontal Internal Blower</b>	NA
<b>AC POWER</b>	120V, 60Hz at Max. 2.7A

<b>OPTIONAL ACCESSORIES</b>	
<b>30" Liner (17-1/2" - 20-1/2" Depth)</b>	AK0800AS
<b>36" Liner (17-1/2" - 20-1/2" Depth)</b>	AK0836AS
<b>Recirculating Kit</b>	ZRC-0100
<b>Bloom™ GU10 LED</b>	Z0B0040

<b>MOUNTING HEIGHT RANGE**</b>	24" - 36"
--------------------------------	-----------

<b>WARRANTY</b>	10 years parts, 1 year labor
-----------------	------------------------------

\*Mounting height refers to distance between top of a 36" tall cooking surface and bottom of hood.