

# HIGH-LIGHT

## ISLAND RANGE HOOD



A BEAUTIFUL NEW CEILING MOUNTED HOOD WITH ADVANCED FEATURES. THE HIGHLIGHT HOOD FEATURES A WHITE MATTE OR STAINLESS STEEL PANEL THAT FITS INTO THE CEILING WHILE EXTRACTING ANY IMPURITIES WITH ITS PERIMETER ASPIRATION. A LED LIGHT BAR ILLUMINATES YOUR TASK SPACE WHILE IMPROVING ENERGY EFFICIENCY.

**New!**



### AVAILABLE MODELS

| model #     | size / color       | CFM*   |
|-------------|--------------------|--------|
| HILTI36WHNB | 36 White Matte     | choose |
| HILTI36SSNB | 36 Stainless Steel | choose |

| * choose a blower | CFM  | sones     |
|-------------------|------|-----------|
| IB300 (Internal)  | 300  | 1.0 - 3.0 |
| IB400 (Internal)  | 400  | 1.0 - 4.0 |
| IB600 (Internal)  | 600  | 1.0 - 7.0 |
| RB900 (Remote)    | 900  |           |
| RB1200 (Remote)   | 1200 |           |
| AXP250 (In-Line)  | 735  |           |

### KEY FEATURES



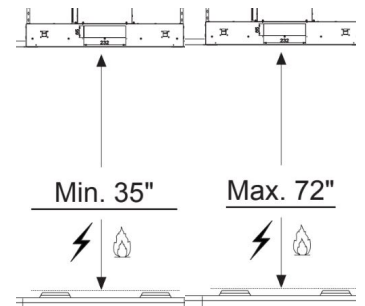
**Perimetric Filter System**  
The inside panel increases efficiency and decreases noise levels



**Remote Control (included)**  
Control all features of the hood from the convenience of a wireless remote control



**Pro Motor**  
The motor in this hood is surrounded in metal with all metal impellers for top performance



**Installation Flexibility**  
Mounting flexibility above the cooktop 35" - 72" height off the stove

# HIGH-LIGHT

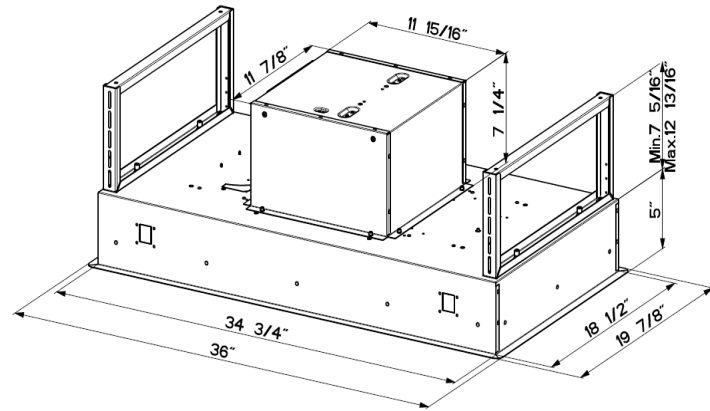
## ISLAND RANGE HOOD



### DIMENSIONS

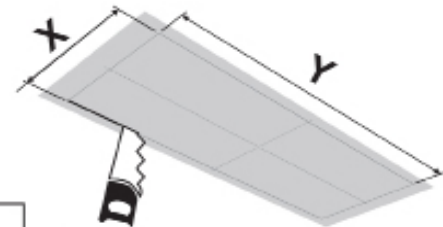
|   |  |
|---|--|
| min / max ceiling height                | 5' 11" - 9' (up to 72" above the stove)  |
| convertible to ductless / recirculating | yes - kit sold separately                |
| hood width   depth (36")                | 35 7/16" w   18 1/2" d                   |
| controls                                | 4 Speed LED Digital Touch Control        |
| lighting                                | LED Light Bar                            |
| ducting                                 | 6" round -4 Way side Vent / 10" top only |
| grease filters                          | dishwasher safe mesh                     |
| Perimetric Filter/ SilentKit            | yes                                      |
| 24 hour anti-pollution mode             | yes                                      |
| 10 minute intensive speed               | yes                                      |
| 30 minute auto shut off                 | yes                                      |
| filter wash alarm                       | yes                                      |
| ADA compliant                           | yes (with included remote control)       |
| AC power                                | 400 watts / 3.2 amps                     |

### Overall Dimensions



### Ceiling Cut Out

See image with dimensions for ceiling cutout.



| Hood | X         | Y        |
|------|-----------|----------|
| 36"  | 18 11/16" | 34 9/16" |

### PERFORMANCE (IB600)

| SPEED | 1   | 2   | 3   | BOOST |
|-------|-----|-----|-----|-------|
| CFM   | 150 | 300 | 450 | 560   |
| Sones | 3.9 | 5   | 6.0 | 7.3   |

### ACCESSORIES

#### # FILTER1- Charcoal Filter Kit

High quality charcoal filter for use when recirculating the air back into the kitchen. Filters out odor and should be replaced every 6 months

#### # FILTER1LL - Long Lasting Charcoal Filter Kit

New washable charcoal filter can be recharged and washed up to 8 times. For use when recirculating the air back into the kitchen. Filters out odor and can last up to 4 years

#### # FLANGE10- 10" Plate for External Blower (For use with all remote blowers)

A 10" plate for connecting the remote blower to 10" round ducting. This is required for AXP250 & non-Faber remote blowers.

#### # MUDAMPER6 / MUDAMPER8 / MUDAMPER10 - Universal Make-Up Air Damper

Satisfies make-up air requirements, this kit uses an air switch to activate the make-up air damper to open and bring fresh air into the home when the hood fan is on. It then closes tightly when the hood is off. The CFM level is not reduced with this accessory.

