

REF30FCIPRR

30" BUILT-IN FREEZER COLUMN
PANEL READY RIGHT SWING DOOR



Conveniently preserve food for an extended time in dry air conditions, avoid freezer burn and frost build-up.

Enjoy ample and flexible food storage thanks to Bertazzoni's columns design featuring the most usable interior depth in the category.

Serve premium ice and choose the actual ice cube size with the digitally-controlled and filtered automatic ice maker

Access all temperature settings through the intuitive digital touch-control interface, with fast-freeze and bottle chill options.

Maintain the correct temperature in the freezer when opening the door for reloading, thanks to the unique lateral side-to-side airflow circulation.

Create a truly flush front alignment with the adjacent cabinets and minimal clearance with the exclusive "lift & swing" door hinge.

Customize virtually any column combination suited for your kitchen layout. Single, double, triple and more configurations are possible.

Create a harmonized look throughout the kitchen selecting the handle style that matches your complete Bertazzoni appliances suite. Panel ready models provide the option to mount your own cabinet hardware.

Designed and manufactured with pride in Italy.

Have peace of mind with a standard full 2 years parts & labor warranty and 5 years warranty for the entire sealed system.

PRODUCT FEATURES

| | |
|-------------------------|---|
| Size | H: 84" W: 30" D: 24 1/4" |
| Refrigerator type | Built-in freezer column |
| Door finish | Panel ready |
| Interior finish | White aluminum |
| User interface | Digital touch control interface inside |
| Lighting | LED lights interior illumination |
| Shelves | 2 |
| Drawer freezer | 3 |
| Door storage | 2 |
| Ice maker | Automatic ice maker |
| Ice production capacity | 2.2 lbs/ 24 hrs |
| Modes | Shopping, Vacation, Bottle cooler, Ice maker, Water filter, Super ice, Sabbath mode |
| Open door alarm | Yes |
| Included accessories | Ice tray |

INTERIOR CAPACITY

| | |
|--------------|-------------|
| Total volume | 16.84 cu.ft |
|--------------|-------------|

TECHNICAL SPECIFICATIONS

| | |
|---------------------------------|---|
| Electrical supply | 115 V 60 HZ - 327 W 3 Amp |
| Power connection | NEMA 5-15P with 79" power cord |
| DOE Compliant | Yes |
| Energy consumption | 598.0 kWh/yr |
| Water connection | Rear of product |
| Water filter | Yes - external |
| Water supply pressure | Min 0.05 MPa (0.5Bar) Max 0.5 MPa (5Bar) |
| Certification | cUL |
| Warranty | 2 years parts & labor Sealed system: 5 years labor |
| Packaging dimensions and weight | W 31 8/16" H 89" D 31 2/16" 396.83 lbs |

OPTIONAL ACCESSORIES

| | |
|----------|-------------------------------------|
| 901560 | 42" Bridge toekick |
| Z330001 | Replacement water filter accessory |
| 901561 | 48" Bridge toekick |
| HERHKCOL | Handle kit for columns Heritage |
| MASHKCOL | Handle kit for columns Master |
| PROHKCOL | Handle kit for columns Professional |

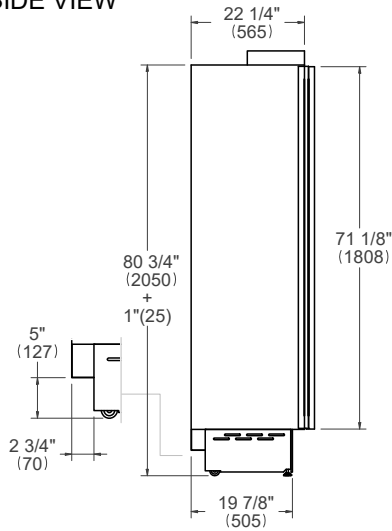
REF30FCIPRR

30" BUILT-IN FREEZER COLUMN
PANEL READY RIGHT SWING DOOR

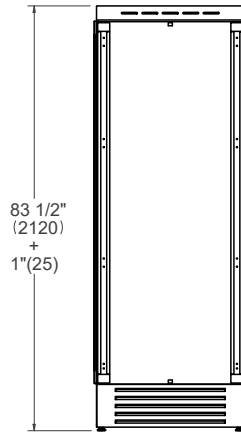


PRODUCT DIMENSIONS

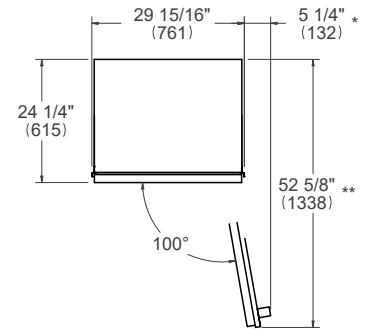
SIDE VIEW



FRONT VIEW



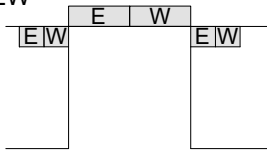
TOP VIEW



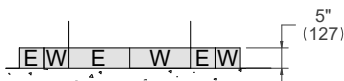
* Maximum Overall Handle Dimension
** Width of 3/4" (19mm) Door Panel

ELECTRICAL & WATER CONNECTION

TOP VIEW



FRONT VIEW



E A properly-grounded, horizontally-mounted electrical receptacle should be installed according to this drawing.

W To connect to the water supply system, a 3/4" NPT waterline with accessible shut-off valve must be supplied.

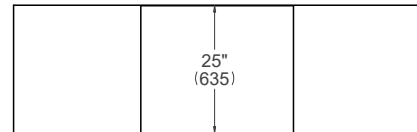
Connection(s) placement within the opening may require additional cabinet depth.

INSTALLATION REQUIREMENTS

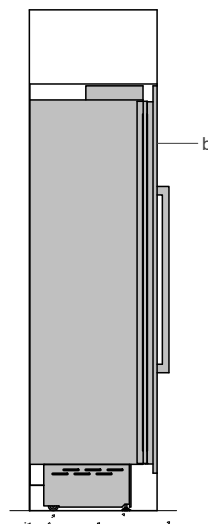
If the appliance(s) is not connected through the side profile trims to secured cabinetry anti-tip brackets must be installed.

CUTOUT DIMENSIONS

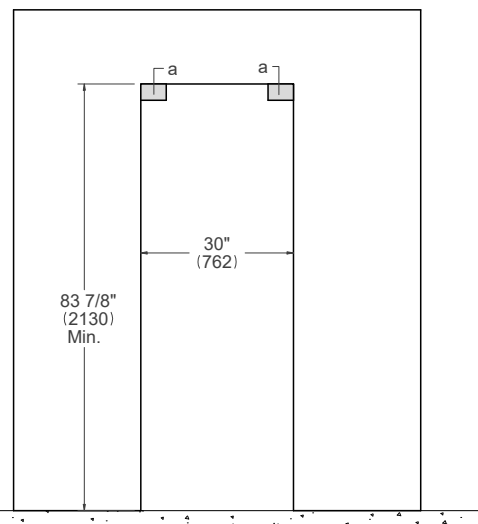
TOP VIEW



SIDE VIEW



FRONT VIEW



- (a) Area to be left clear for the anti-tipping brackets – 3"1/2x5" (82x127mm)
- (b) Panel dimensions available on Built-in Food Preservation Design Guide or Installation Manual

For installation of multiple products in combination, refer to the Built-in Food Preservation Design Guide at us.bertazzoni.com or ca.bertazzoni.com

Disclaimer: while every effort has been made to ensure the accuracy of the information contained in this document, Fratelli Bertazzoni reserves the right to change it at any time without notice. For detailed installation instructions, consult the installation manual. Fratelli Bertazzoni, Bertazzoni and the winged wheel brand icon are registered trademarks of Bertazzoni Spa.