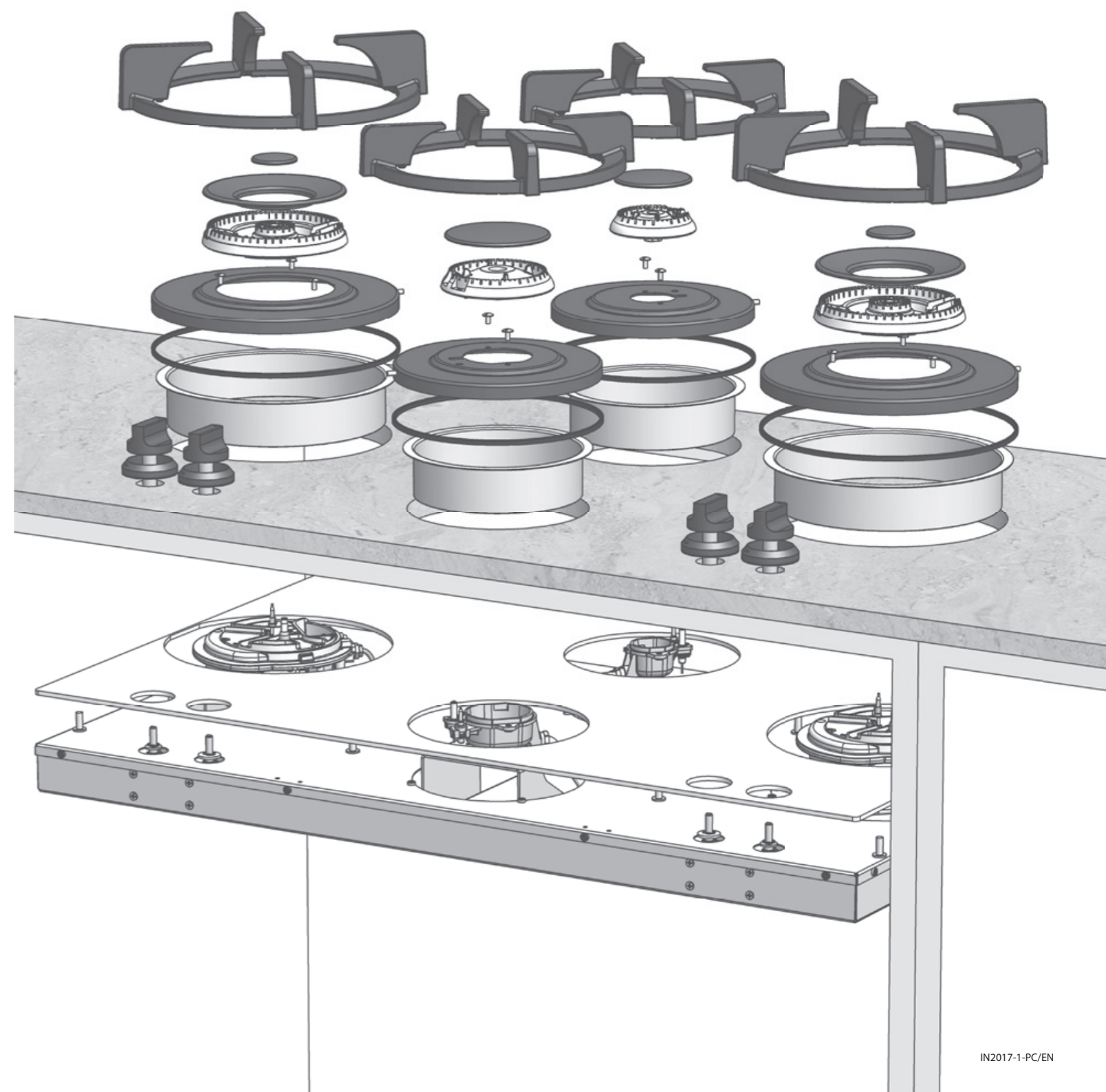


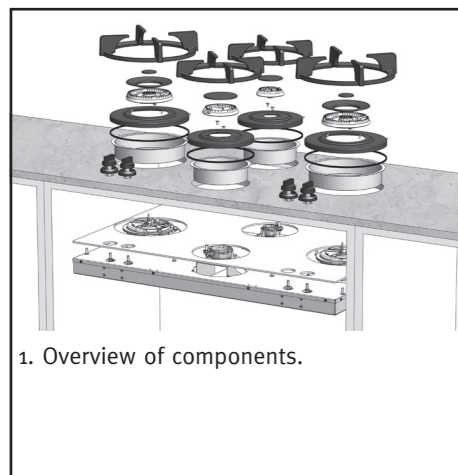
Made in Holland

Installation instructions

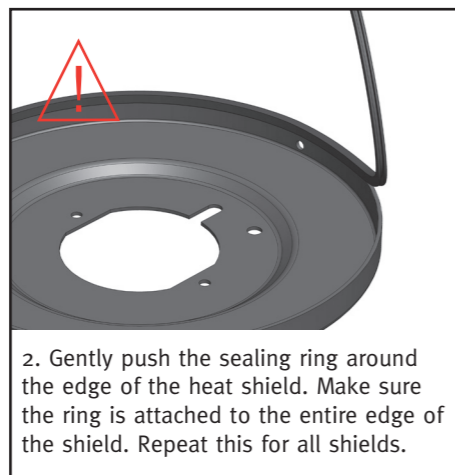
PITT
COOKING



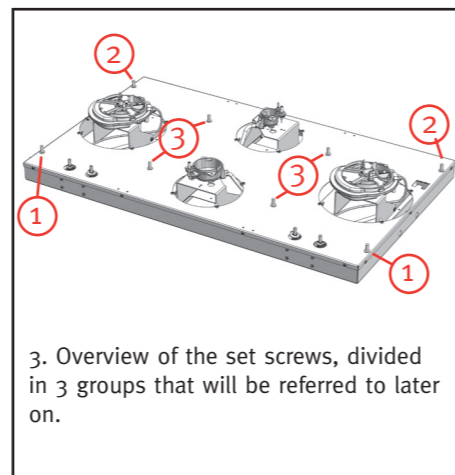
Installation instructions



1. Overview of components.



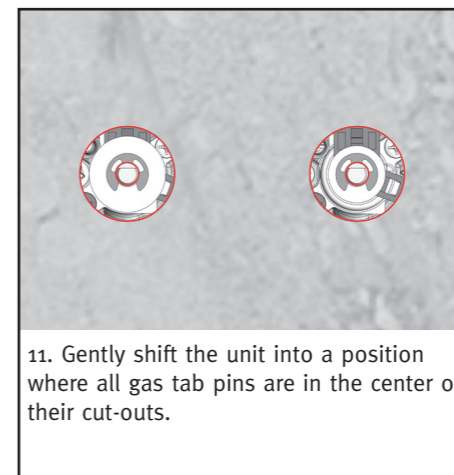
2. Gently push the sealing ring around the edge of the heat shield. Make sure the ring is attached to the entire edge of the shield. Repeat this for all shields.



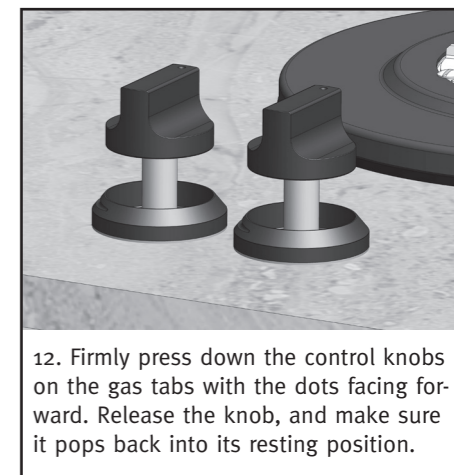
3. Overview of the set screws, divided in 3 groups that will be referred to later on.



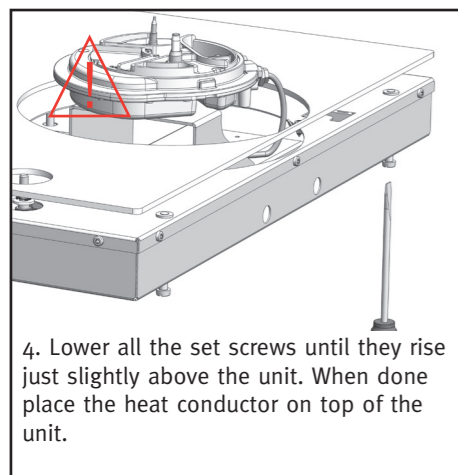
10. Do not separate the protective film from the adhesive strip for the next steps!



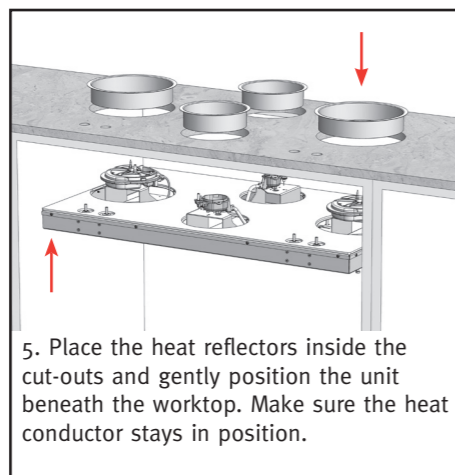
11. Gently shift the unit into a position where all gas tab pins are in the center of their cut-outs.



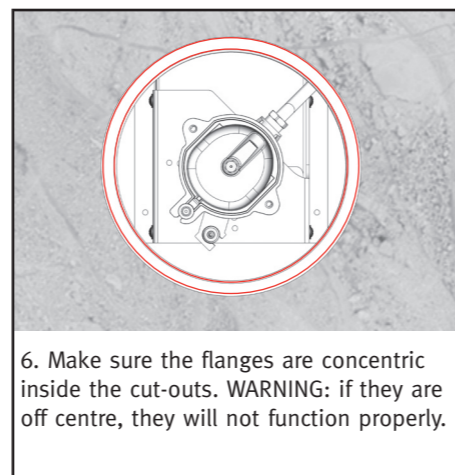
12. Firmly press down the control knobs on the gas tabs with the dots facing forward. Release the knob, and make sure it pops back into its resting position.



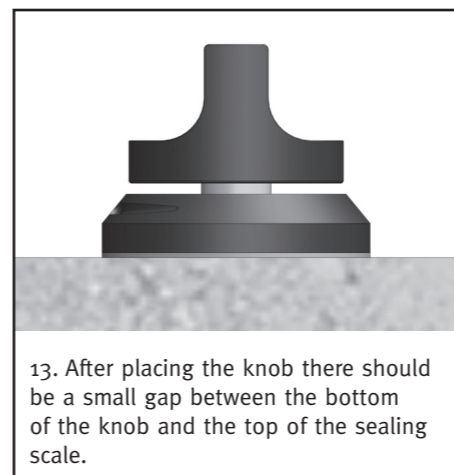
4. Lower all the set screws until they rise just slightly above the unit. When done place the heat conductor on top of the unit.



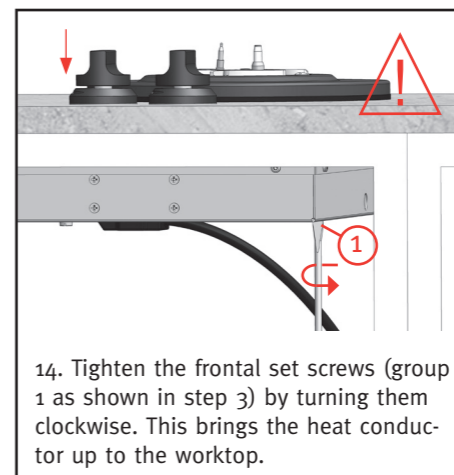
5. Place the heat reflectors inside the cut-outs and gently position the unit beneath the worktop. Make sure the heat conductor stays in position.



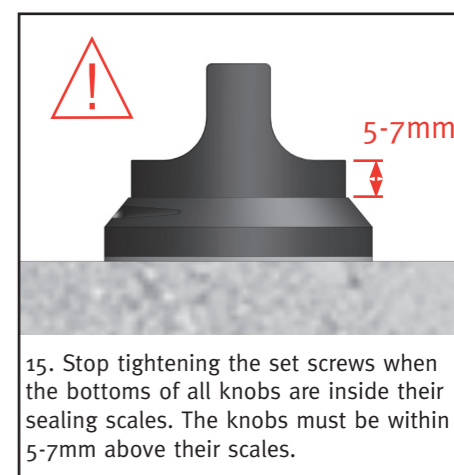
6. Make sure the flanges are concentric inside the cut-outs. **WARNING:** if they are off centre, they will not function properly.



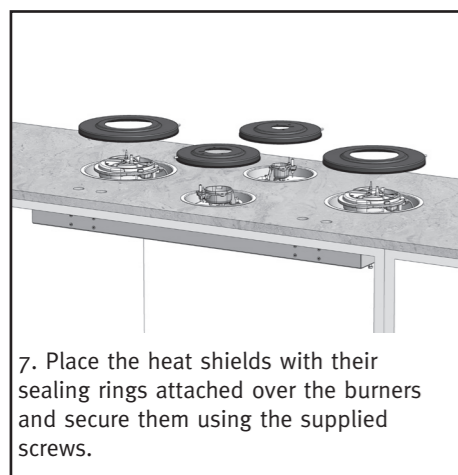
13. After placing the knob there should be a small gap between the bottom of the knob and the top of the sealing scale.



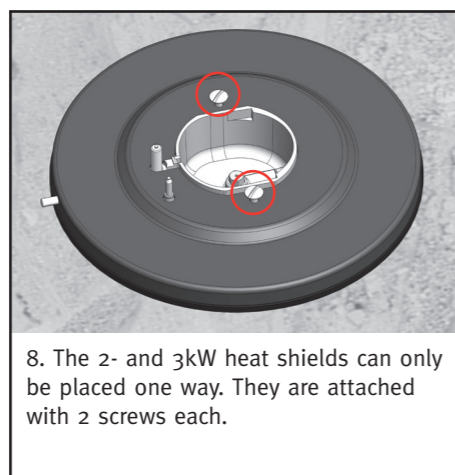
14. Tighten the frontal set screws (group 1 as shown in step 3) by turning them clockwise. This brings the heat conductor up to the worktop.



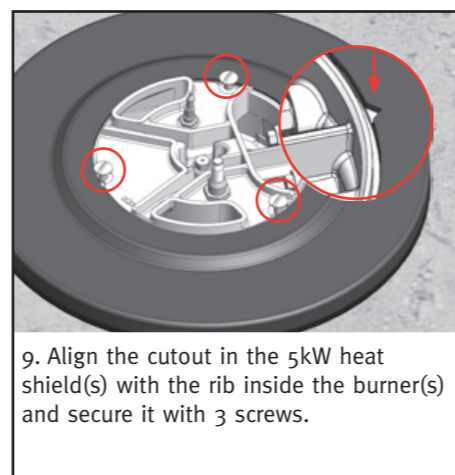
15. Stop tightening the set screws when the bottoms of all knobs are inside their sealing scales. The knobs must be within 5-7mm above their scales.



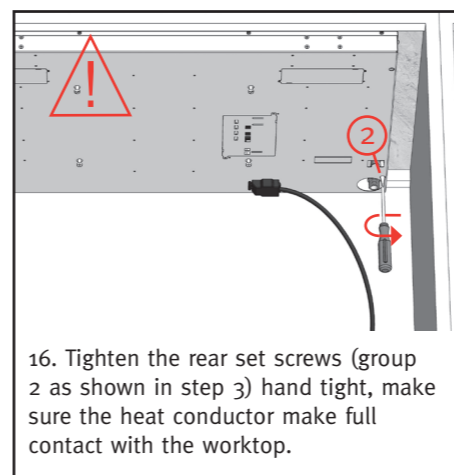
7. Place the heat shields with their sealing rings attached over the burners and secure them using the supplied screws.



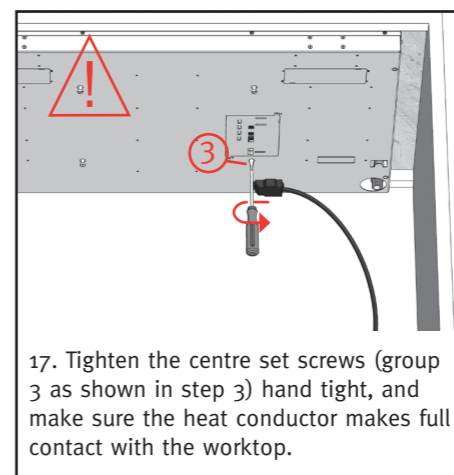
8. The 2- and 3kW heat shields can only be placed one way. They are attached with 2 screws each.



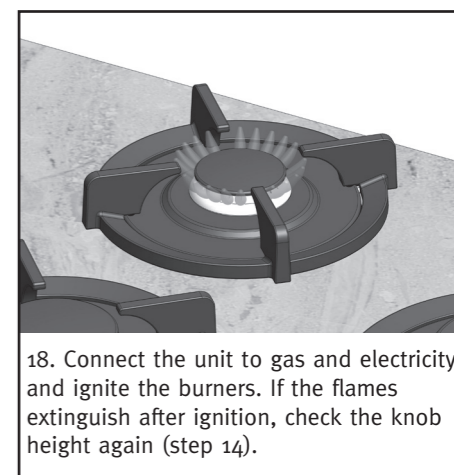
9. Align the cutout in the 5kW heat shield(s) with the rib inside the burner(s) and secure it with 3 screws.




16. Tighten the rear set screws (group 2 as shown in step 3) hand tight, make sure the heat conductor makes full contact with the worktop.



17. Tighten the centre set screws (group 3 as shown in step 3) hand tight, and make sure the heat conductor makes full contact with the worktop.



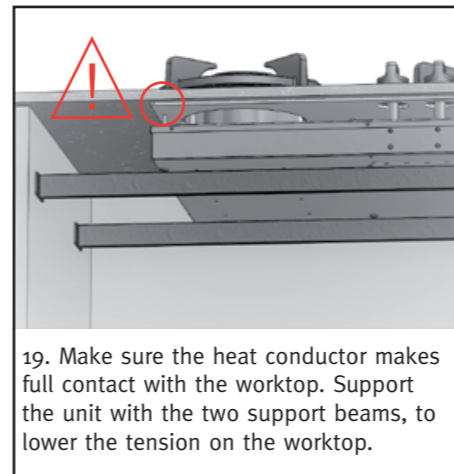
18. Connect the unit to gas and electricity and ignite the burners. If the flames extinguish after ignition, check the knob height again (step 14).



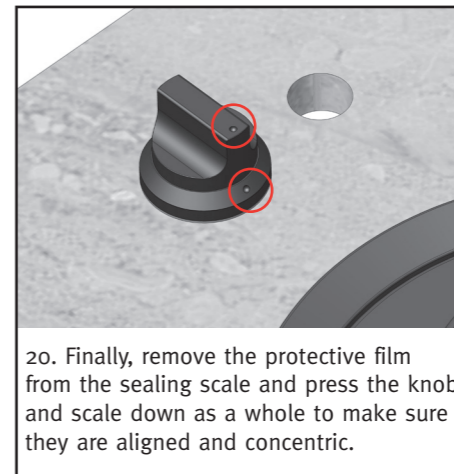
Important!

When the control knobs are not properly adjusted, the burners will not ignite or burn evenly.

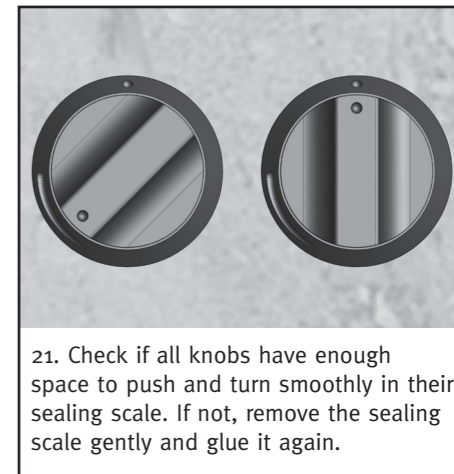
For warranty and a proper functioning of the cooking unit, ensure to exactly follow all steps as described in this installation manual.



19. Make sure the heat conductor makes full contact with the worktop. Support the unit with the two support beams, to lower the tension on the worktop.



20. Finally, remove the protective film from the sealing scale and press the knob and scale down as a whole to make sure they are aligned and concentric.



21. Check if all knobs have enough space to push and turn smoothly in their sealing scale. If not, remove the sealing scale gently and glue it again.