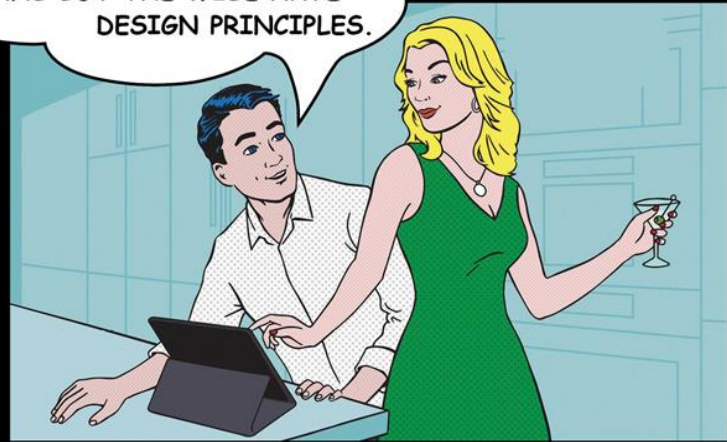


HELP! THE ONLY REASON I HAVE A KITCHEN IS THAT IT CAME WITH THE HOUSE.

THE INTELLIGENT HAVE PLANS BUT THE WISE HAVE DESIGN PRINCIPLES.



**CI30V**

12" Induction Cooktop

Porter & Charles

2017 SPECIFICATION SHEET

# CI30V

## 12" Induction Cooktop

Induction cooktops offer fast and responsive cooking; the cookware itself becomes the heat conductor and becomes hot, while the smooth ceramic surface remains safe because it does not produce any heat. When the pot is removed from the surface, the cooking stops. Energy is saved as only the exact amount needed for cooking is used and cleaning is easier because grease and food residues do not "bake" onto the ceramic glass. Made from resilient, high quality ceramic glass it is a beautiful complement to any kitchen style. These cooktops are incredibly quick, have more flexible control than gas, are easier to clean, and extremely safe.



### COOKTOP FEATURES

- 2 induction zones
- 9 power levels with Power Boost
- Black ceramic with beveled edges
- Touch control panel
- Automatic switch off
- Child safety lock
- Smart Pause
- Count-down timer
- Residual heat indicator
- Shallow depth allows for easy install over drawers or an oven

### COOKTOP DIMENSIONS

D: 20<sup>9/16</sup>" • W: 11<sup>9/16</sup>"

D: 522 mm • W: 294 mm

### CUT-OUT DIMENSIONS

D: 19<sup>5/16</sup>" • W: 10<sup>5/8</sup>"

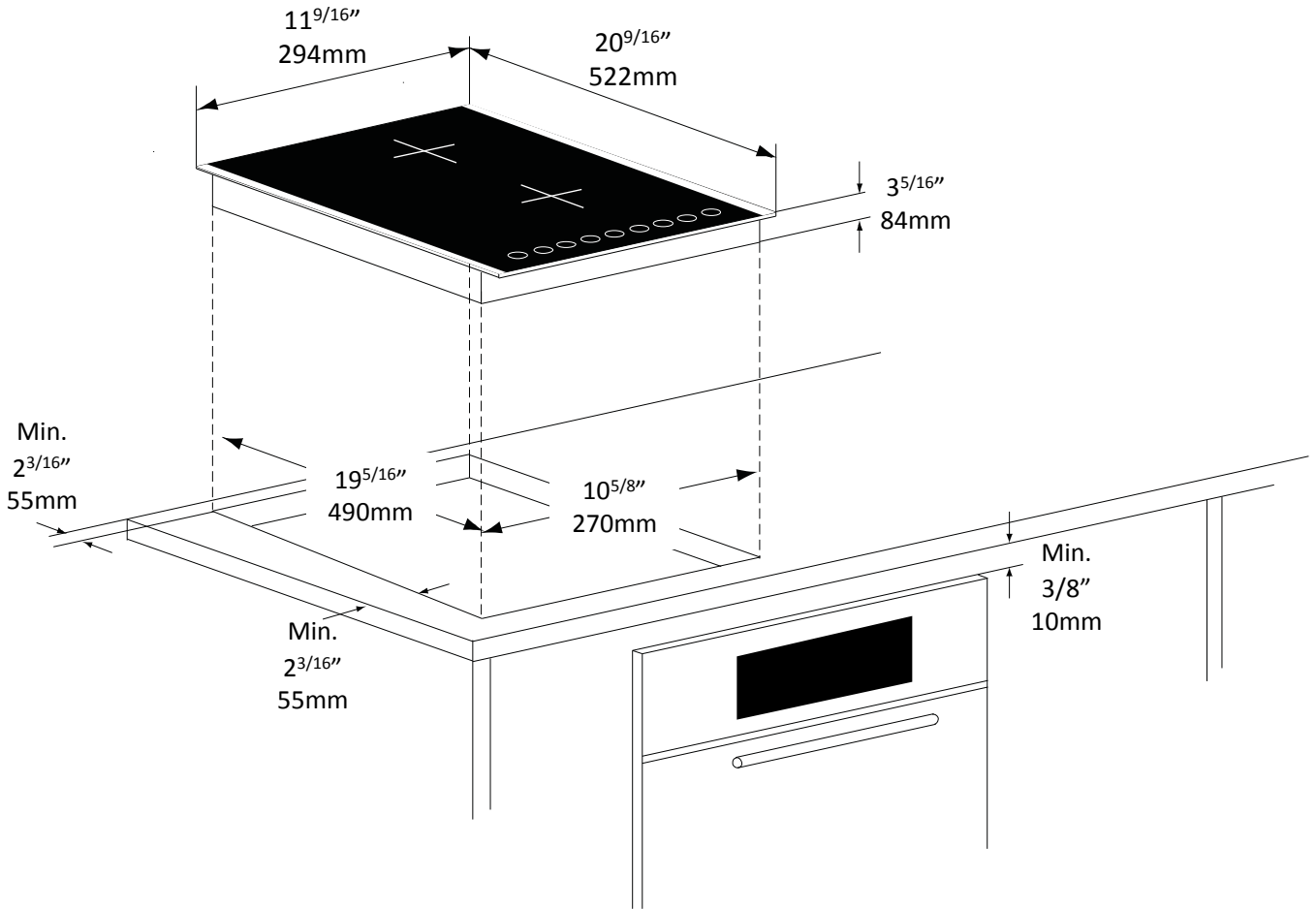
D: 490 mm • W: 270 mm

### ELECTRICAL REQUIREMENTS

- 220/240 Volt, 60 Hz, 20AMP, 3600W
- Supplied with a 5ft long armor cable and must be hard wired

# SPECIFICATIONS

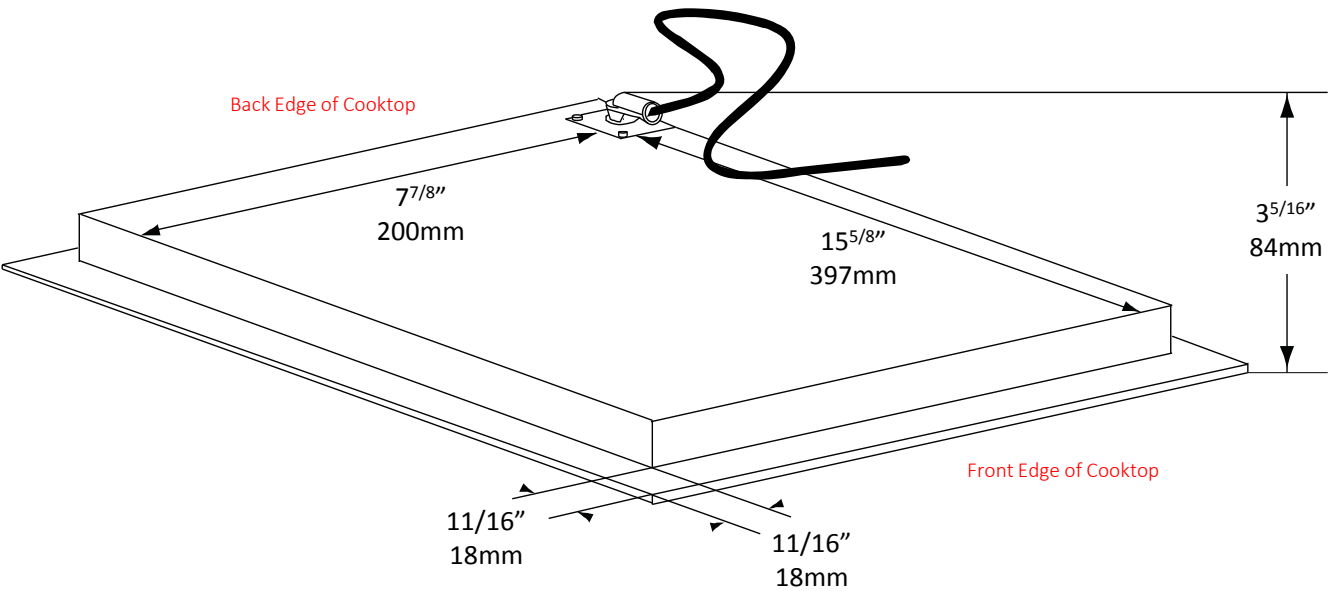
CI30V



# SPECIFICATIONS

CI30V

## UNDERSIDE VIEW

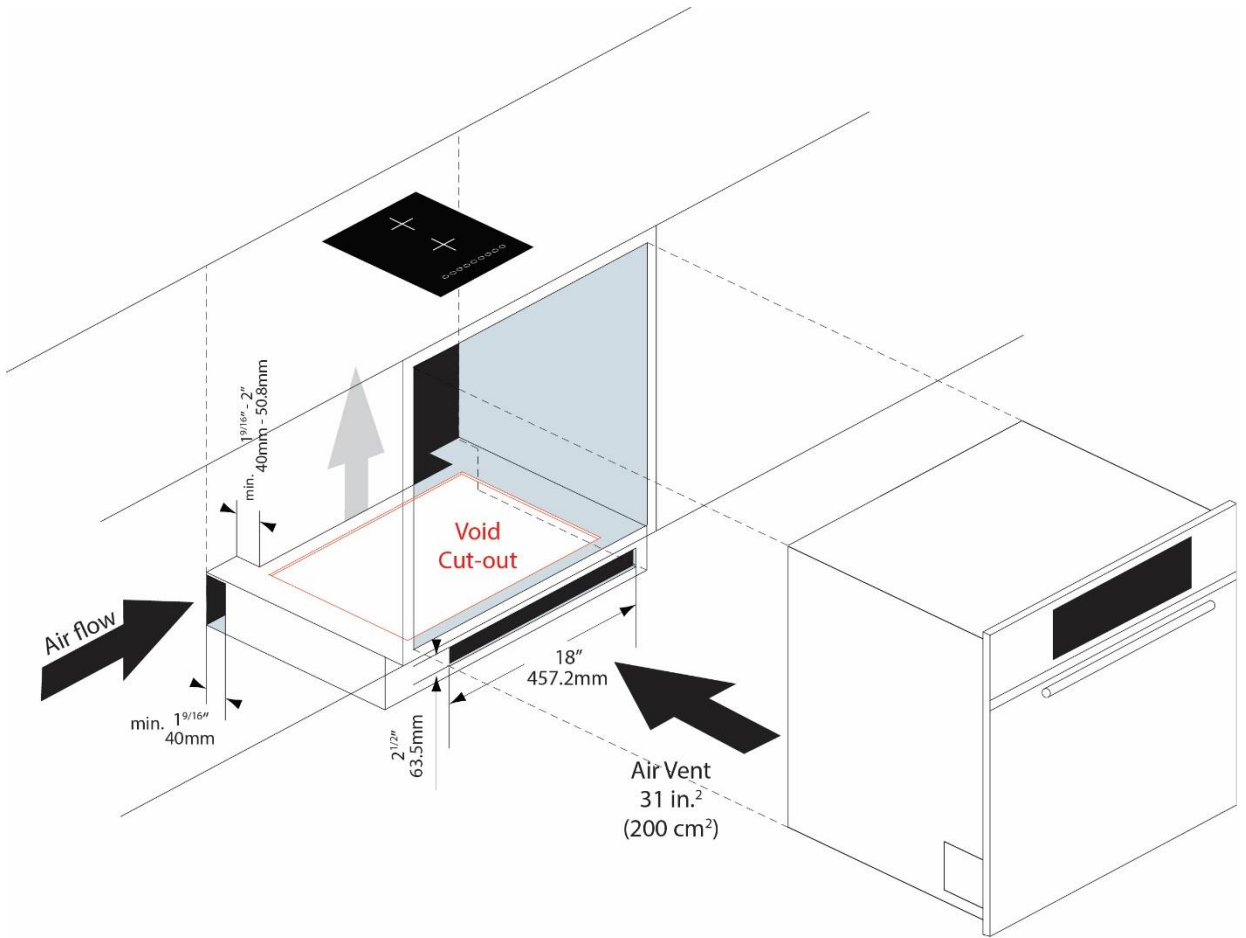


Specifications are subject to change without notice  
V1.4

# SPECIFICATIONS

CI30V

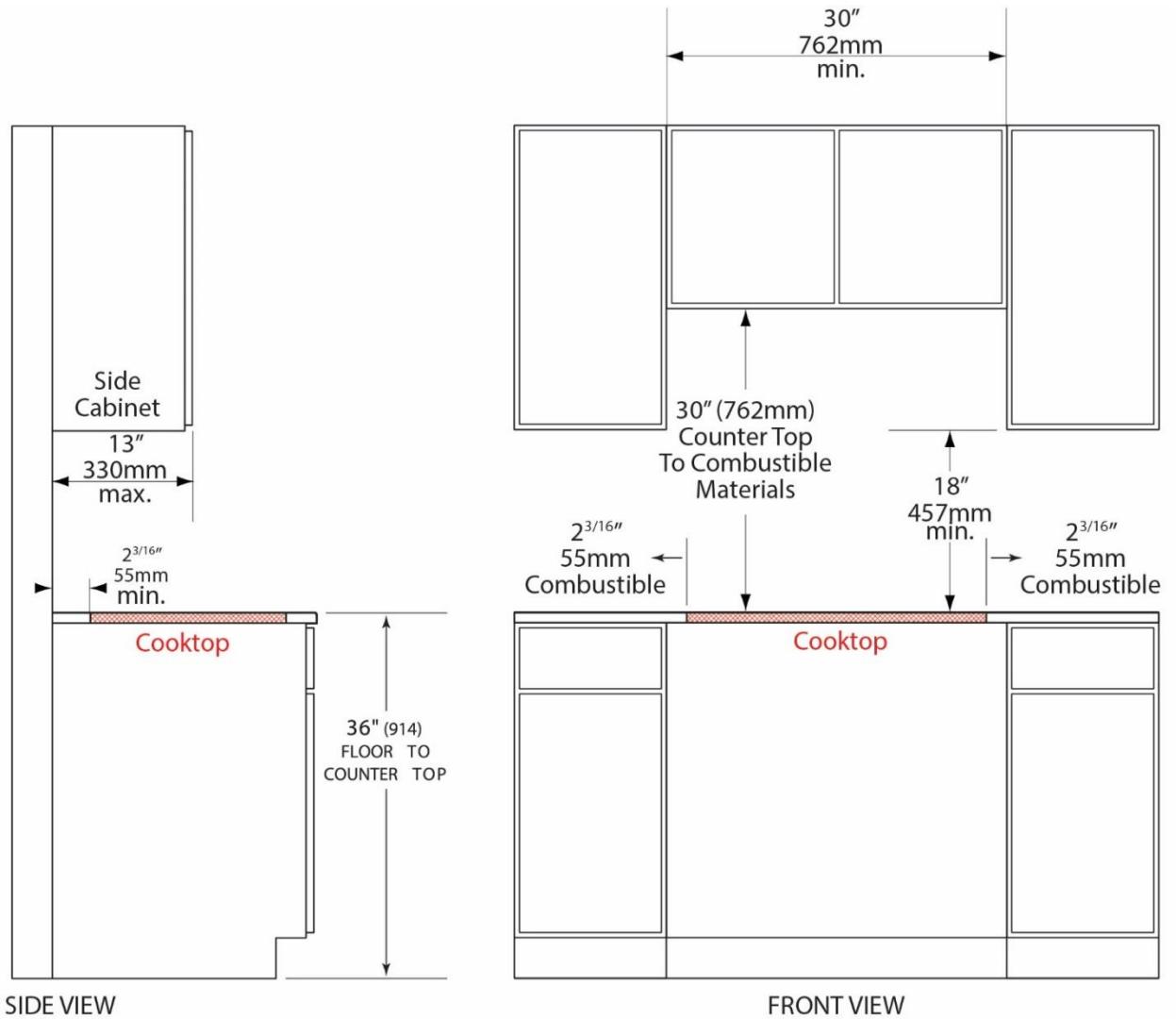
## RECOMMENDED CABINET DESIGN

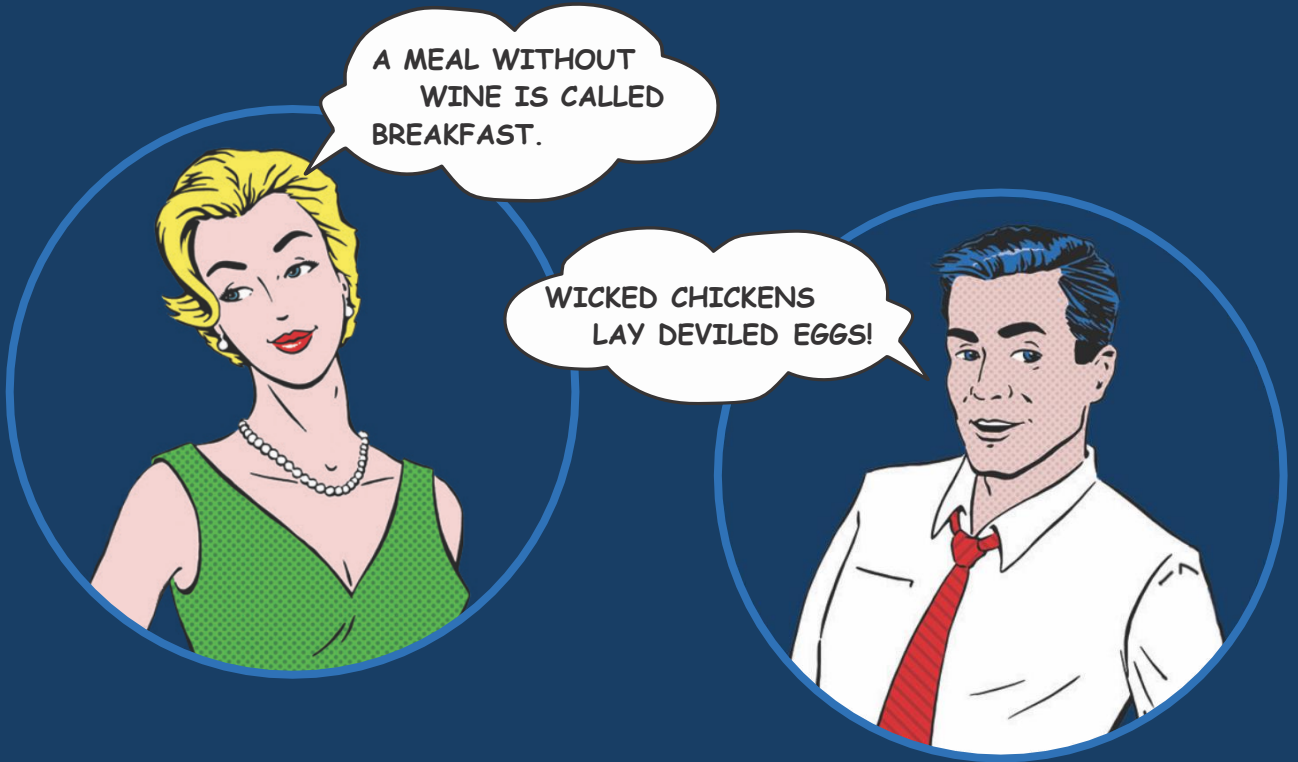


# SPECIFICATIONS

CI30V

## RECOMMENDED CABINET MINIMUM CLEARANCE





Porter & Charles Appliances are designed and manufactured to the highest standards. Each appliance is covered by a comprehensive 2-year parts and labour warranty.

Refer to product warranty policy for complete terms and conditions.

#### FOR PARTS AND SERVICE

Euro-Parts & Service

39822 Belgrave Road, Belgrave, ON. N0G 1E0  
1 800 678 8352 (Canada) • 1 800 561 4614 (U.S.)

[www.euro-parts.ca](http://www.euro-parts.ca) • [parts@euro-parts.ca](mailto:parts@euro-parts.ca) • [service@euro-parts.ca](mailto:service@euro-parts.ca)

Porter & Charles appliances are imported and distributed in North America by Euro-Line Appliances Inc. For more information, please visit one of our showrooms or [www.euro-line-appliances.com](http://www.euro-line-appliances.com) / [www.elawest.com](http://www.elawest.com)

#### EURO-LINE APPLIANCES INC.

871 Cranberry Court  
Oakville, ON L6L 6J7 Canada  
905 829 3980  
1 800 421 6332

[marketing@euro-line-appliances.com](mailto:marketing@euro-line-appliances.com)

#### EURO-LINE APPLIANCES WEST INC.

2912 West 4th Avenue  
Vancouver, BC V6K 1R2 Canada  
604 235 3980  
1 855 ELA WEST (352.9378)

[info@elawest.com](mailto:info@elawest.com)

