
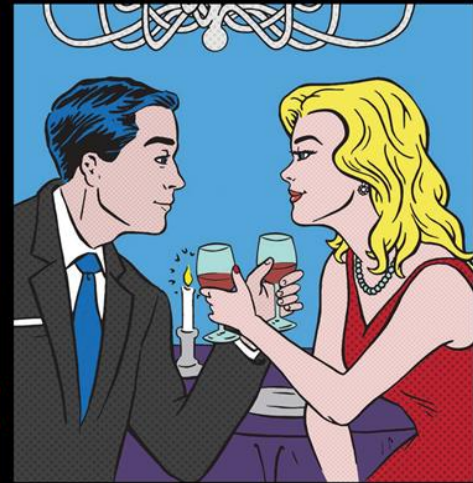


HELP! THE ONLY  
REASON I HAVE A  
KITCHEN IS THAT IT CAME  
WITH THE HOUSE.



THE INTELLIGENT HAVE  
PLANS BUT THE WISE HAVE  
DESIGN PRINCIPLES.



**CG76WOK-F**  
30" Gas Cooktop

Porter & Charles

2017 SPECIFICATION SHEET

# CG76WOK-F

## 30" Gas Cooktop

*Porter & Charles special gas burner design produces a clean and perfect flame. They come in a range of sizes and BTU's for cooking flexibility and precision. With the UltraFlat stainless steel design, these cooktops will integrate beautifully into any kitchen design.*



### COOKTOP FEATURES

- 5 high quality gas burners
- Continuous cast iron support grates
- Cast iron wok support ring
- UltraFlush stainless steel design
- Ergonomically placed control knobs
- Electronic ignition
- Flame failure safety system
- Shallow depth allows for easy install over drawers or an oven

### COOKTOP PERFORMANCE

- 1 x double ring wok burner – 17,500 BTU
- 1 x rapid burner – 11,500 BTU
- 2 x semi-rapid burner – 8,000 BTU
- 1 x true simmer burner – 5,000 BTU down to 600 BTU

### COOKTOP DIMENSIONS

D: 20<sup>1/16</sup>" • W: 29<sup>3/8</sup>"

D: 509 mm • W: 746 mm

### CUT-OUT DIMENSIONS

D: 19" • W: 28<sup>5/16</sup>"

D: 483 mm • W: 719 mm

### ELECTRICAL REQUIREMENTS

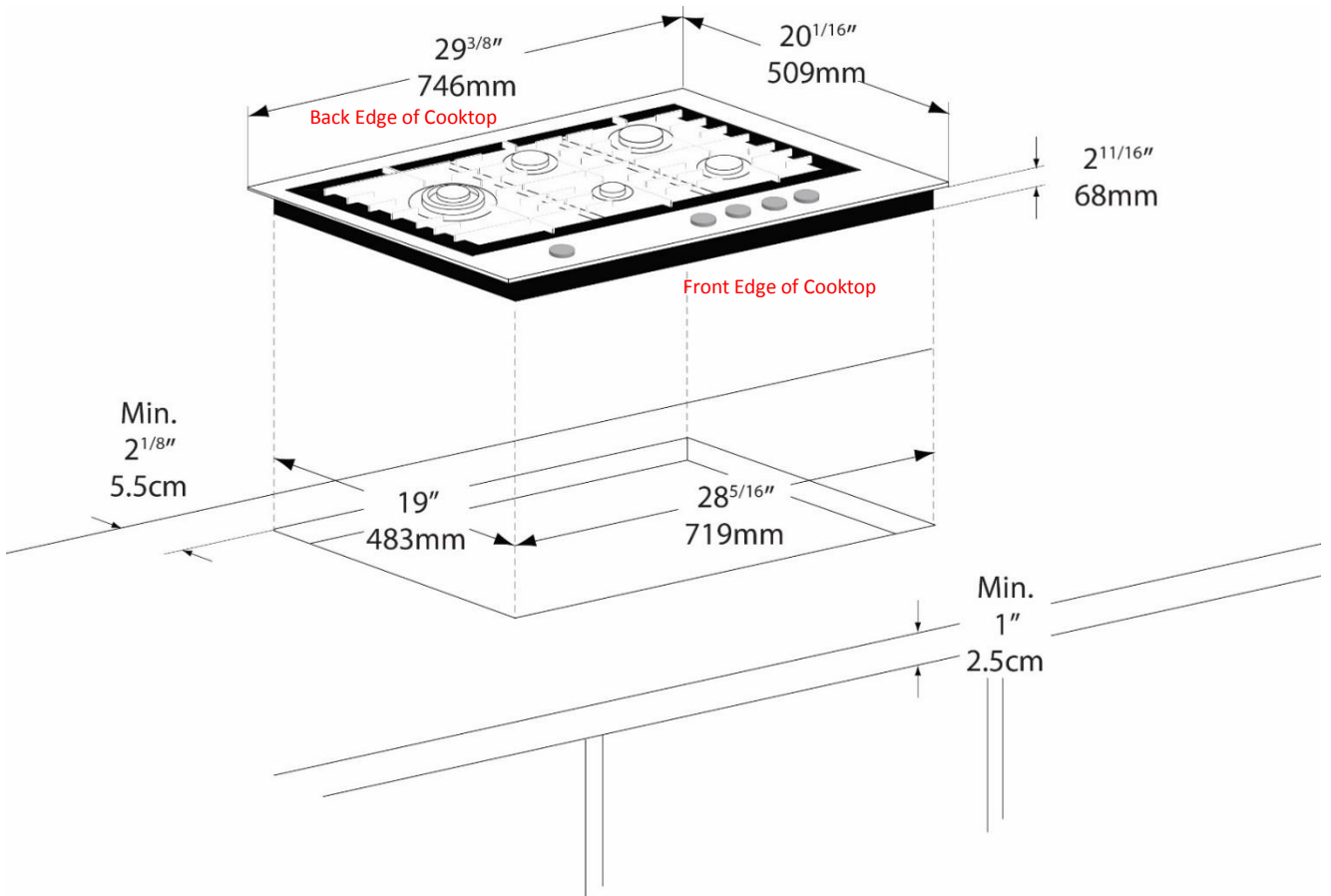
- 115 volt, 60Hz, 15 amp
- Supplied with 5ft electrical cord and plug

### GAS CONNECTION & FITTING

- PORTER&CHARLES gas cooktops requires a 1/2" gas inlet and outlet fittings.

# SPECIFICATIONS

CG76WOK-F



Specifications are subject to change without notice  
V1.2

Porter & Charles

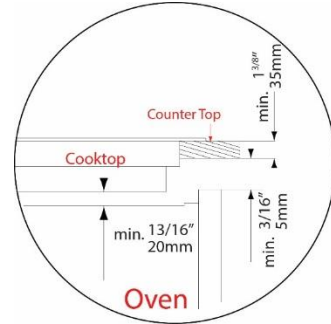
# SPECIFICATIONS

## CG76WOK-F

### INSTALLING OVER BUILT-IN OVEN

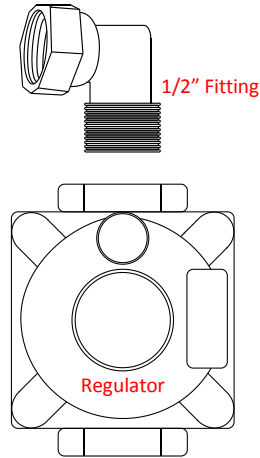
- There must be a minimum of 20mm (13/16") of space left between the bottom of the cooktop and the oven to allow air to flow.
- There must be a minimum of 5mm (3/16") of space left between the counter top and the door panel of a built-in oven / drawer.
- If insufficient air flow is provided, the life of the appliance will be shortened.

### SIDE VIEW

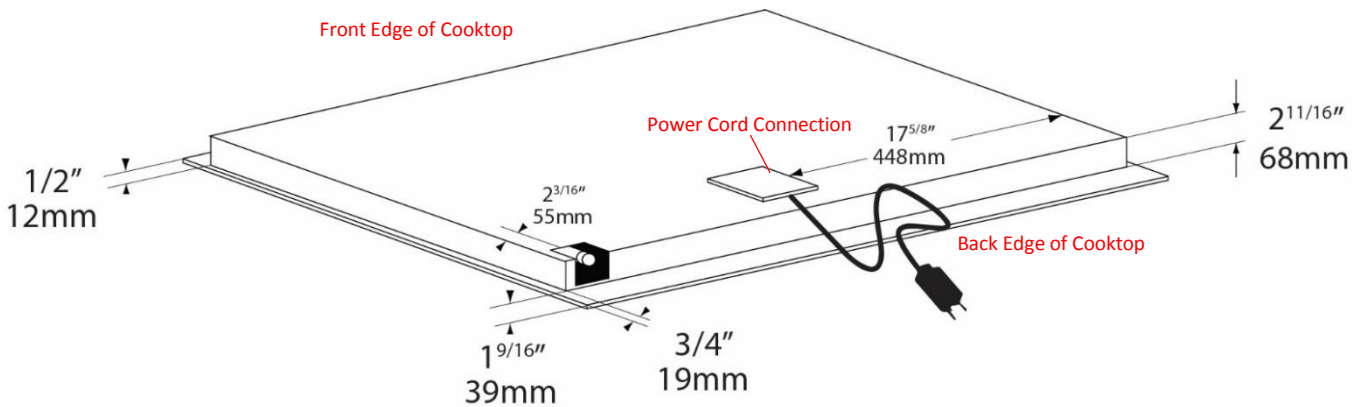


### GAS HOOKUP FITTINGS

- PORTER&CHARLES gas cooktops requires a 1/2" gas inlet and outlet fittings.



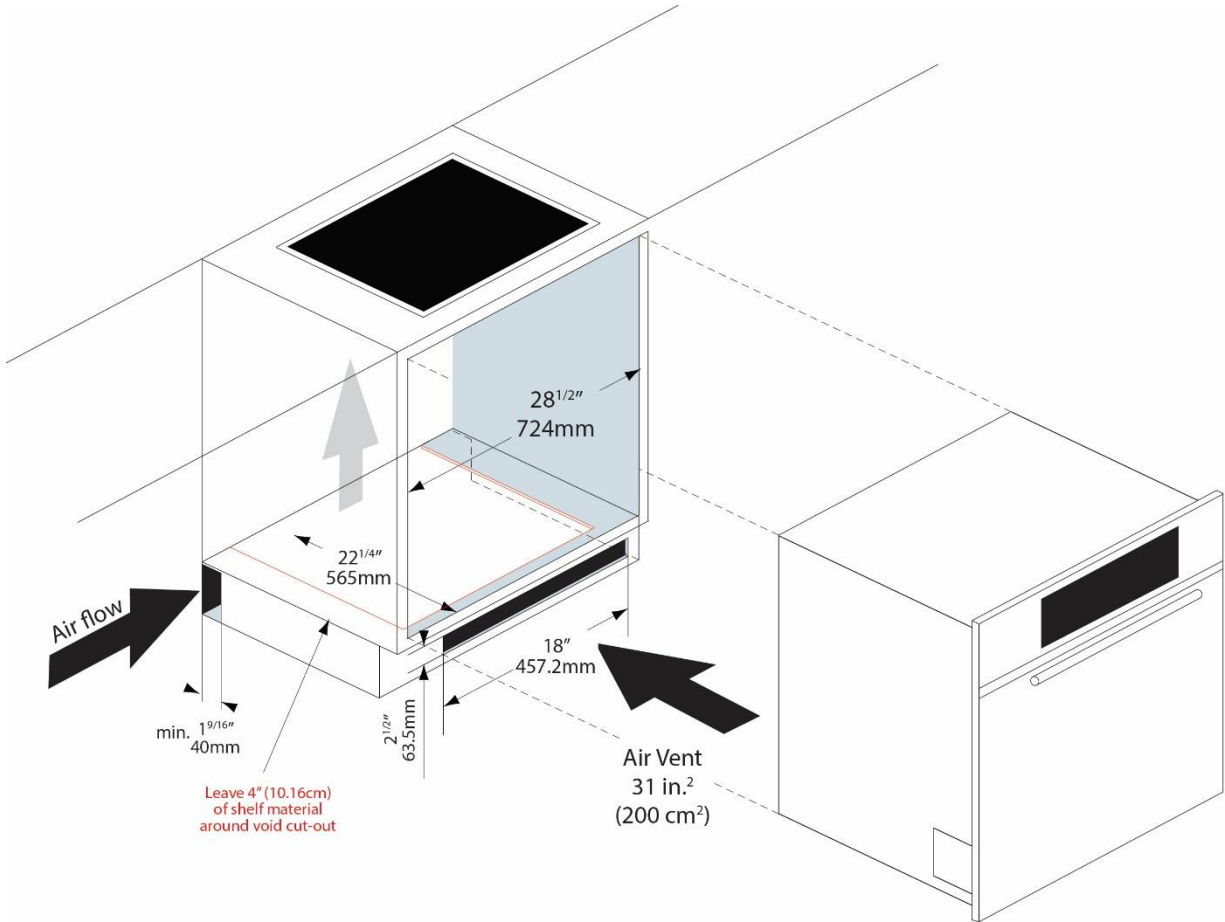
### UNDERSIDE VIEW



# SPECIFICATIONS

CG76WOK-F

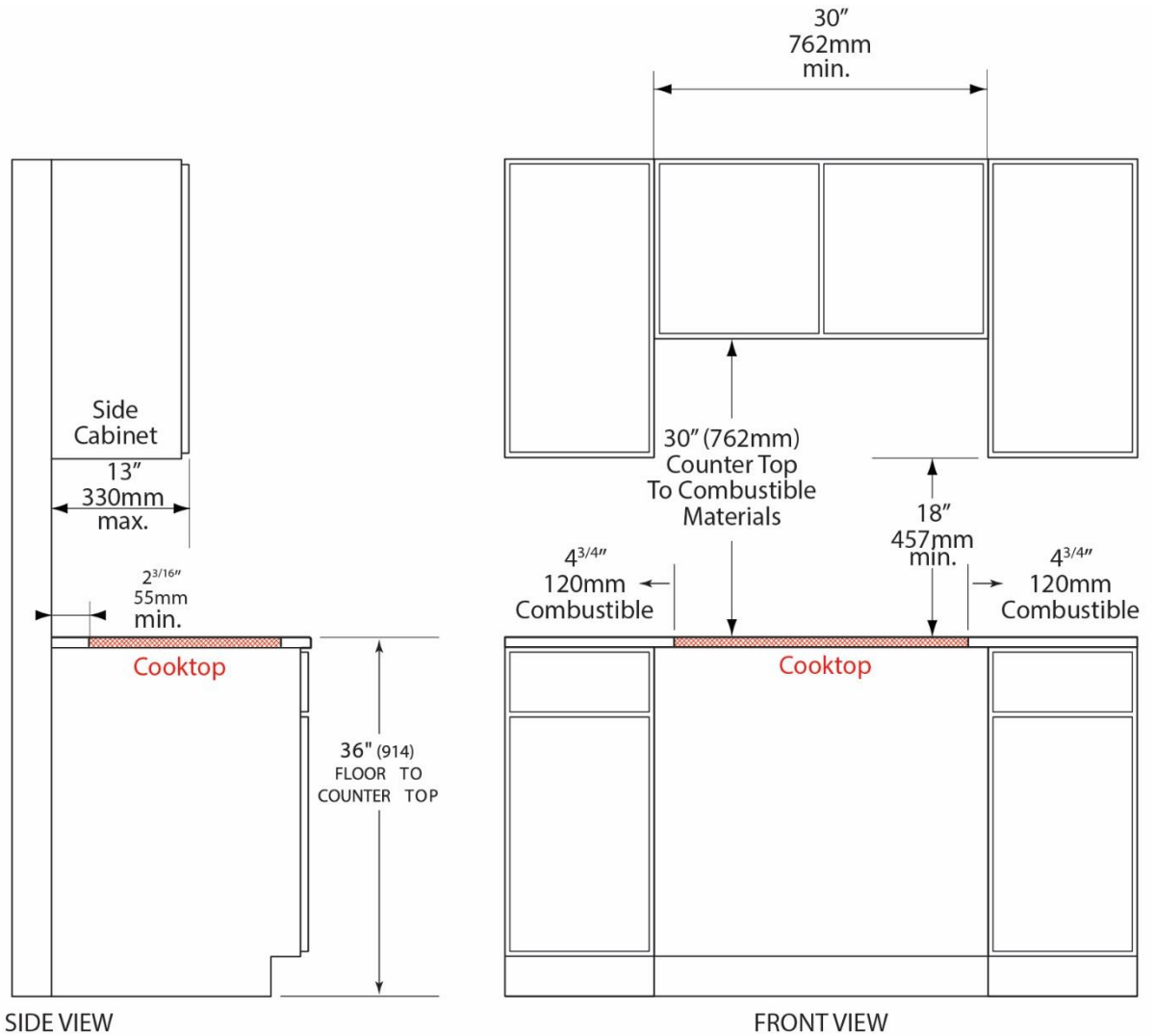
## RECOMMENDED CABINET SPECIFICATIONS




# SPECIFICATIONS

CG76WOK-F

## RECOMMENDED CABINET MINIMUM CLEARANCE





A MEAL WITHOUT  
WINE IS CALLED  
BREAKFAST.



WICKED CHICKENS  
LAY DEVILED EGGS!

Porter & Charles Appliances are designed and manufactured to the highest standards. Each appliance is covered by a comprehensive 2-year parts and labour warranty.

Refer to product warranty policy for complete terms and conditions.

#### FOR PARTS AND SERVICE

Euro-Parts & Service

39822 Belgrave Road, Belgrave, ON. N0G 1E0  
1 800 678 8352 (Canada) • 1 800 561 4614 (U.S.)

[www.euro-parts.ca](http://www.euro-parts.ca) • [parts@euro-parts.ca](mailto:parts@euro-parts.ca) • [service@euro-parts.ca](mailto:service@euro-parts.ca)

Porter & Charles appliances are imported and distributed in North America by Euro-Line Appliances Inc. For more information, please visit one of our showrooms or

[www.euro-line-appliances.com](http://www.euro-line-appliances.com) / [www.elawest.com](http://www.elawest.com)

#### EURO-LINE APPLIANCES INC.

871 Cranberry Court  
Oakville, ON L6L 6J7 Canada  
905 829 3980  
1 800 421 6332

[marketing@euro-line-appliances.com](mailto:marketing@euro-line-appliances.com)

#### EURO-LINE APPLIANCES WEST INC.

2912 West 4th Avenue  
Vancouver, BC V6K 1R2 Canada  
604 235 3980  
1 855 ELA WEST (352.9378)

[info@elawest.com](mailto:info@elawest.com)

