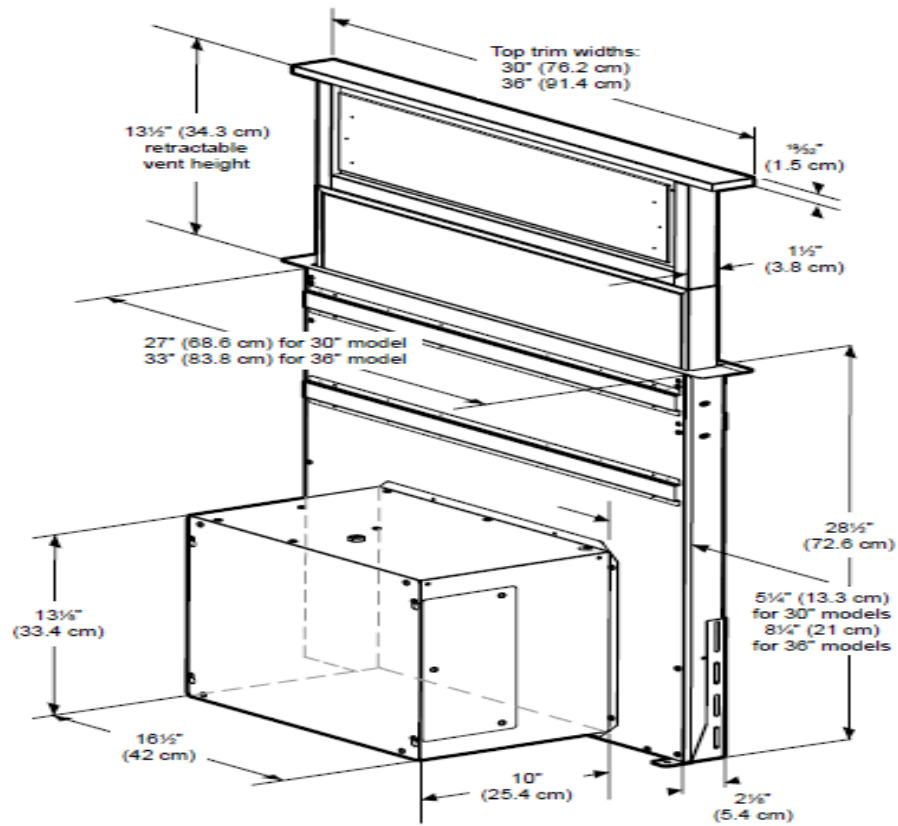


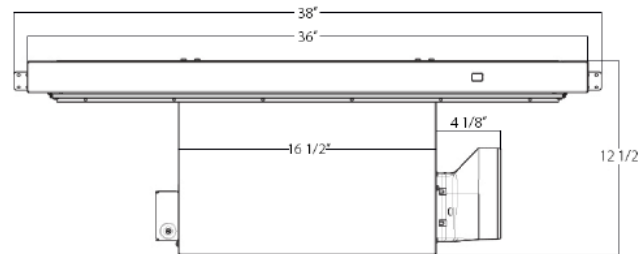
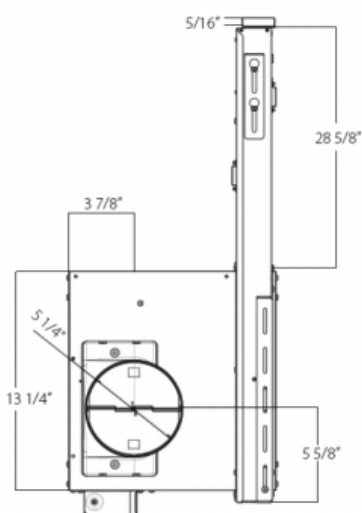


Model	ERS630S1
Features	
Controls	Electronic Rotating Disc (Built-in into counter)
Blower Type	4-speed, 600 CFM
Blower Performance	Speed 1, 205 CFM, 1.9 Sones Speed 2, 350 CFM, 3.4 Sones Speed 3, 510 CFM, 6.0 Sones Speed 4, 600 CFM, 8.0 Sones
Filter Type	14" High Downdraft Perimeter Aspiration (with Mesh Filter)
Ducting	Ducted Installation Only
Duct transition	6" Round with Back Draft Damper (side)
Exterior Appearance	
Stainless Steel grade	430
Electrical Requirements	
Electrical requirements	120V-60 HZ / 410 Watt at 3.4 Amps
Dimensions	
Dimensions	30" (W) x 2 1/2" (D) x 14" (H)
Warranty	
Complete 2 years warranty	Entire Appliance; In-Home; Parts & Labour

Dimensions



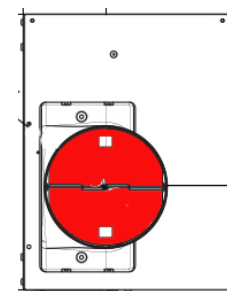
Installation



Floor to ceiling Height	TBD
Floor to counter Top Height (standard)	36"
Recommended Height between cooking surface and bottom of the hood	N/A
Hood Height	42 3/16"
cabinet Height	TBD

Duct transition

6" Round (Side)



The information contained herein is based on sources that we believe to be reliable, but is not guaranteed by us, may be incomplete or may change without notice