

Blomberg®

seit 1883

Microwave Oven

User Manual



BOTR30100SS

BOTR30100B

EN|FR



Please read this manual first!





Dear Customer,

Thank you for preferring a Blomberg product. We hope that you get the best results from your product which has been manufactured with high quality and state-of-the-art technology. Therefore, please read this entire user manual and all other accompanying documents carefully before using the product and keep it as a reference for future use. If you handover the product to someone else, give the user manual as well. Follow all warnings and information in the user manual.

Remember that this user manual is also applicable for several other models. Differences between the models are explicitly described in the manual.

Meanings of the Symbols

Following symbols are used in the various section of this manual:

	Important information and useful hints about usage.
	Warnings for dangerous situations concerning the safety of life and property.
	Warning for hot surfaces.
	Protection class for electric shock.

PLEASE SAVE THESE INSTRUCTIONS!

CONTENTS

1 Important safety and environmental instructions 4

- 1.1 Precautions to avoid possible exposure to excessive microwave energy..... 4
- 1.2 Grounding instructions.....7
- 1.3 Radio interference..... 8

2 Your over the range microwave oven 11

- 2.1 Overview.....11
- 2.2 Technical data.....11
- 2.3 Installing the turntable.....12

3 Installation 13

- 3.1 Installation..... 13

4 Operation 14

- 4.1 Control Panel and Features..... 14
- 4.2 Operation Instructions.....14
 - 4.2.1 Clock Setting.....14
 - 4.2.2 Microwave Cooking.....14
 - 4.2.3 Multi-stage Cooking.....15
 - 4.2.4 Speedy Cooking.....15
 - 4.2.5 Defrost Cooking.....15
 - 4.2.6 Hood Function.....16
 - 4.2.7 Oven Lamp.....16
 - 4.2.8 Timer Function.....16
 - 4.2.9 Display On/Off Function.....16
 - 4.2.10 Popcorn Menu.....16
 - 4.2.11 Baked Potato Menu.....16
 - 4.2.12 Beverage Menu.....17
 - 4.2.13 Reheat Menu.....17
 - 4.2.14 Inquiring Function.....17
 - 4.2.15 Lock Function For Children.....17

5 Maintenance 18

- 5.1 Troubleshooting..... 18

6 Service instructions 19

1.1 Precautions to avoid possible exposure to excessive microwave energy

- a. Do not attempt to operate this oven with the door open since this can result in harmful exposure to microwave energy. It is important not to defeat or tamper with the safety interlocks.
- b. Do not place any object between the oven front face and the door or allow soil or cleaner residue to accumulate on sealing surfaces.
- c. Do not operate the oven if it is damaged. It is particularly important that the oven door closes properly and that there is no damage to the:
 1. DOOR (bent)
 2. HINGES AND LATCHES (broken or loosened)
 3. DOOR SEALS AND SEALING SURFACE
- d. The oven should not be adjusted or repaired by anyone except properly qualified service personnel.

1 Important safety and environmental instructions

WARNING: To reduce the risk of burns, electric shock, fire, injury to persons or exposure to excessive microwave oven energy when using your appliance, follow basic safety precautions, including the following:

- Read all instructions before using the appliance.
- Read and follow the specific: **“PRECAUTIONS TO AVOID POSSIBLE EXPOSURE TO EXCESSIVE MICROWAVE ENERGY”** found on page 4.
- As with most cooking appliances, close supervision is necessary to reduce the risk of a fire in the oven cavity.
- To reduce the risk of fire in the oven cavity:
 - i. Do not overcook food. Carefully attend the appliance when paper, plastic, or other combustible materials are placed inside the oven to facilitate cooking.
 - ii. Remove wire twist-ties and metal handles from paper or plastic containers/bags before placing them in the oven.
 - iii. If materials inside the oven ignite, keep the oven door closed. Turn the oven off, and unplug the appliance. Disconnect the power cord, shut off power at the fuse or circuit breaker panel.
 - iv. Do not use the oven cavity for storage purposes. Do not leave paper products, cooking utensils, or food in the cavity when not in use.
- This oven must be grounded. Connect only to properly grounded outlet. See **“GROUNDING INSTRUCTIONS”** found on page 7.
- Install or locate this oven only in accordance with the installation instructions provided.
- Some products such as whole eggs and sealed containers—for example, closed glass jars—are able to explode and should not be heated in the oven.
- Use this appliance only for its intended uses as described in this manual. Do not use corrosive chemicals or vapors in this appliance. This oven is specifically designed to heat or cook or dry food. It is not designed for industrial or laboratory use.

1 Important safety and environmental instructions

- As with any appliance, close supervision is necessary when used by children.
- Do not operate this oven if it has a damaged cord or plug, if it is not working properly or if it has been damaged or dropped.
- This appliance should be serviced only by qualified service technicians. Contact the nearest authorized service facility for examination, repair or adjustment.
- Do not cover or block any openings on the oven.
- Do not store or use this appliance outdoors.
- Do not use this oven near water, for example, near a kitchen sink, in a wet basement, near a swimming pool, or similar locations.
- Do not immerse cord or plug in water.
- Keep cord away from heated surfaces.
- Do not let cord hang over edge of table or counter.
- When cleaning surfaces of door and oven that comes together on closing the door, use only mild, nonabrasive soaps or detergents applied with a sponge or soft cloth.
- Liquids, such as water, coffee, or tea are able to be overheated beyond the boiling point without appearing to be boiling. Visible bubbling or boiling when the container is removed from the microwave oven is not always present. THIS COULD RESULT IN VERY HOT LIQUIDS SUDDENLY BOILING OVER WHEN THE CONTAINER IS DISTURBED OR A SPOON OR OTHER UTENSIL IS INSERTED INTO THE LIQUID.
 - i. Do not overheat the liquid.
 - ii. Stir the liquid both before and halfway through heating it.
 - iii. Do not use straight-sided containers with narrow necks.
 - iv. After heating, allow the container to stand in the microwave oven for a short time before removing the container.
 - v. Use extreme care when inserting a spoon or other utensil into the container.
- Do not Operate any heating or cooking appliance beneath the appliance.
- Do not mount unit over or near any portion of heating or cooking appliance.
- Do not mount over sink.

1 Important safety and environmental instructions

- Do not store anything directly on top of the appliance surface when the appliance is in operation.

1.2 Grounding instructions



Electric Shock Hazard
Touching some of the internal components can cause serious personal injury or death. Do not disassemble this appliance.



Electric Shock Hazard
Improper use of the grounding can result in electric shock. Do not plug into an outlet until appliance is properly installed and grounded.

Three-pronged (grounding) plug

This appliance must be grounded. In the event of an electrical short circuit, grounding reduces the risk of electric shock by providing an escape wire for the electric current. This appliance is equipped with a cord having grounding wire with a grounding plug.

The plug must be plugged into an outlet that is properly installed and grounded.

Consult a qualified electrician or serviceman if the grounding instructions are not completely understood or if doubt exists as to whether the appliance is properly grounded. If it is necessary to use an extension cord, use only a 3-wire extension cord that has a 3-pronged grounding plug, and a 3-slot receptacle that will accept the plug on the appliance.

The marked rating of the extension cord shall be equal to or greater than the electrical rating of the appliance.

- A short power-supply cord is provided to reduce the risks resulting from becoming entangled in or tripping over a longer cord.
- Longer cord sets or extension cords are available and may be used if care is exercised in their use.
- If a long cord sets or extension cord is used:

1 Important safety and environmental instructions

- i. The marked electrical rating of the cord set or extension marked electrical rating of the cord set or extension cord should be at least as great as the electrical rating of the appliance.
- ii. The extension cord must be a grounding-type 3-wire cord; and
- iii. The longer cord should be arranged so that it will not drape over the countertop or tabletop where it can be pulled on by children or tripped over unintentionally.
- v. Plug the microwave oven into a different outlet so that microwave oven and receiver are on different branch circuits.



Personal Injury

Hazard Tightly-closed utensils could explode. Closed containers should be opened and plastic pouches should be pierced before cooking.

See the instructions on "Materials you can use in microwave oven or to be avoided in microwave oven." There may be certain non-metallic utensils that are not safe to use for microwaving. If in doubt, you can test the utensil in question following the procedure below

Utensil Test:

1.3 Radio interference

- Operation of the microwave oven may cause interference to your radio, TV or similar equipment.
- When there is interference, it may be reduced or eliminated by taking the following measures:
 - i. Clean door and sealing surface of the oven
 - ii. Reorient the receiving antenna of radio or television.
 - iii. Relocate the microwave oven with respect to the receiver.
 - iv. Move the microwave oven away from the receiver.
- Fill a microwave-safe container with 1 cup of cold water (250ml) along with the utensil in question.
- Cook on maximum power for 1 minute.
- Carefully feel the utensil. If the empty utensil is warm, do not use it for microwave cooking.
- Do not exceed 1 minute cooking time.

1

Important safety and environmental instructions

Materials you can use in microwave oven

Utensils	Remarks
Aluminum foil	Shielding only. Small smooth pieces can be used to cover thin parts of meat or poultry to prevent overcooking. Arcing can occur if foil is too close to oven walls. The foil should be at least 1 inch (2.5cm) away from oven walls.
Browning dish	Follow manufacturer's instructions. The bottom of browning dish must be at least 3/16 inch (5mm) above the turntable. Incorrect usage may cause the turntable to break.
Dinnerware	Microwave-safe only. Follow manufacturer's instructions. Do not use cracked or chipped dishes.
Glass jars	Always remove lid. Use only to heat food until just warm. Most glass jars are not heat resistant and may break.
Glassware	Heat-resistant oven glassware only. Make sure there is no metallic trim. Do not use cracked or chipped dishes.
Oven cooking bags	Follow manufacturer's instructions. Do not close with metal tie. Make slits to allow steam to escape.
Paper plates and cups	Use for short-term cooking/warming only. Do not leave oven unattended while cooking.
Paper towels	Use to cover food for reheating and absorbing fat. Use with supervision for a short-term cooking only.
Parchment paper	Use as a cover to prevent splattering or a wrap for steaming.
Plastic	Microwave-safe only. Follow the manufacturer's instructions. Should be labeled "Microwave Safe". Some plastic containers soften, as the food inside gets hot. "Boiling bags" and tightly closed plastic bags should be slit, pierced or vented as directed by package.
Plastic wrap	Microwave-safe only. Use to cover food during cooking to retain moisture. Do not allow plastic wrap to touch food.
Thermometers	Microwave-safe only (meat and candy thermometers).
Wax paper	Use as a cover to prevent splattering and retain moisture.

1

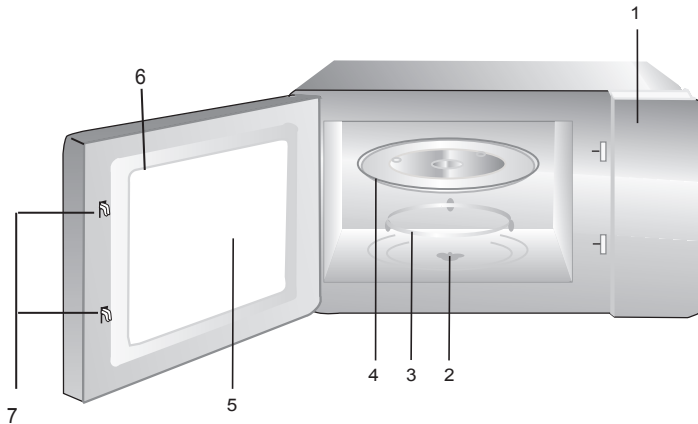
Important safety and environmental instructions

Materials to be avoided in microwave oven

Utensils	Remarks
Aluminum tray	May cause arcing. Transfer food into microwave-safe dish.
Food carton with metal handle	May cause arcing. Transfer food into microwave-safe dish.
Metal or metal-trimmed utensils	Metal shields the food from microwave energy. Metal trim may cause arcing.
Metal twist ties	May cause arcing and could cause a fire in the oven.
Paper bags	May cause a fire in the oven.
Plastic foam	Plastic foam may melt or contaminate the liquid inside when exposed to high temperature.
Wood	Use for short-term cooking/warming only. Do not leave oven unattended while cooking.
Paper towels	Wood will dry out when used in the microwave oven and may split or crack.

2 Your over microwave oven

2.1 Overview



1. Control panel
2. Turntable shaft
3. Turntable ring assembly
4. Glass tray
5. Observation window
6. Door assembly
7. Safety interlock system

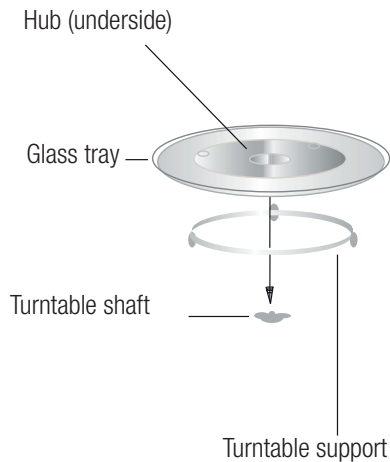
2.2 Technical data

Rated Voltage	120V~ 60Hz
Rated Input Power (Microwave)	1550 W
Rated Output Power (Microwave)	1000 W
Oven Capacity	44 L
Turntable Diameter	Ø 345 mm
External Dimensions	759 X 382 X 417 mm
Net weight	Approx. 25 kg

Markings on the product or the values stated in other documents supplied with the product are values obtained under laboratory conditions as per relevant standards. These values may vary according to the usage of the appliance and ambient conditions. Power values are tested at 230V.

2 Your over the range microwave oven

2.3 Installing the turntable



- Never place the glass tray upside down. The glass tray should never be restricted.
- Both glass tray and turntable support must always be used during cooking.
- All food and containers of food must always place on the glass tray for cooking.
- If glass tray or turntable support crack or break, contact your nearest authorized service center.

3 Installation

- Remove all packing material and accessories. Examine the oven for any damage such as dents or broken door. Do not install if oven is damaged.
- Remove any protective film found on the microwave oven cabinet surface.

3.1 Installation

1. Select a level surface that provide enough open space for the intake and/or outlet vents.

A minimum clearance of 3.0 inch (7,5cm) is required between the oven and any adjacent wall. One side must be open.

Do not remove the light brown Mica cover that is screwed to the oven cavity to protect the magnetron.

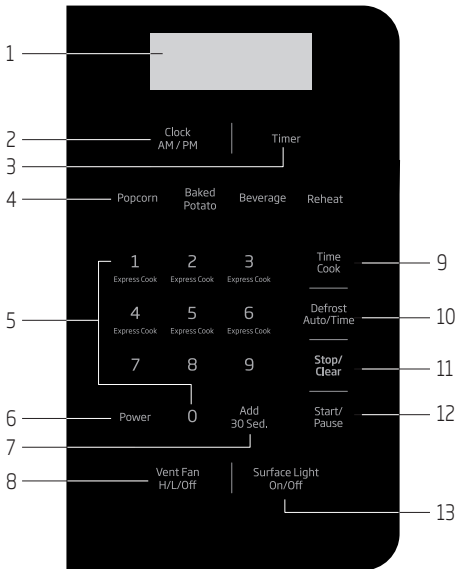
- Leave a minimum clearance of 12 inch(30cm) above the oven.
 - Do not remove the legs from the bottom of the oven.
 - Blocking the intake and/or outlet openings can damage the oven.
 - Place the oven as far away from radios and TV as possible.Operation of microwave oven may cause interference to your radio or TV reception.
2. Plug your oven into a standard household outlet. Be sure the voltage and the frequency is the same as the voltage and the frequency on the rating label.



WARNING: Do not install oven over a range cooktop or other heat-producing appliance. If installed could be damaged and the warranty would be void.

4 Operation

4.1 Control Panel and Features



1. Display Screen
2. Clock AM/PM: to set the current time;
3. Timer
4. Auto Menu
5. Number Keys
6. Power
7. Add 30Sec.
8. Vent Fan H/L/Off
9. Time Cook
10. Defrost Auto/Time
11. **Stop/Clear:** Clears all previous settings pressed before cooking starts. During cooking; press once to stop oven; twice to stop and clear all entries.
12. Start/Pause
13. Surface Light On/Off

4.2 Operation Instructions

4.2.1 Clock Setting

1. Press **"CLOCK/AM/PM"**, the unit enters the clock setting states. AM indicator will light. "0:00" flash to remind you to input the time.
2. Press **"CLOCK/AM/PM"** again to select AM or PM. The responding AM or PM indicator lights.
3. Press the number keys and enter the correct time. For example, time is 10:12 now, please press "1,0,1,2" in turn.
4. Press **"CLOCK/AM/PM"** key finish setting the clock. Note: This is a 12 hour clock from 1:00 to 12:59. If the time set is not appropriate, press **"CLOCK/AM/PM"** will be no used. Buzzer sounds twice and turn back to waiting states.

4.2.2 Microwave Cooking

1. Press **" TIME COOK"** to select microwave cooking. "0:00" flash to remind you to input the cooking time.
2. Press the number keys to adjust the cooking time you need. For example, to cook the time for 10 minutes. Please press "1,0,0,0" in turn. The maximum cooking time is 99 minutes 99 seconds.
3. At the same time, you can choose the power by pressing **"POWER"**.
4. Press the number keys to select the power level.
5. Press **"START/PAUSE"** to start cooking. Time counts down.



If the power level you choose is 100% power, steps "3" and "4" can be skipped and go directly to the step "5".



After cooking finishing, buzzer sounds five times.

4 Operation

Ten power levels are available.

Level	10	9	8	7	6	5	4	3	2	1
Power	100%	90%	80%	70%	60%	50%	40%	30%	20%	10%
Display	PL10	PL9	PL8	PL7	PL6	PL5	PL4	PL3	PL2	PL1

4.2.3 Multi-stage Cooking

At most two stages can be input.

For example: To cook the food with 100% microwave power for 10 minutes and then cook with 80% microwave power for 15 minutes. Do as following:

1. Press **"TIME COOK"** to choose microwave cooking;
2. Press **"1","0","0","0"** to input the cooking time;
3. Press **"POWER"** to choose 100% microwave power;
4. Press **"TIME COOK"** to choose microwave cooking;
5. Press **"1","5","0","0"** to input cooking time;
6. Press **"POWER"** to select the microwave power;
7. Press **"8"** to choose 80% microwave power;
8. Press **"START"** to start cooking.



Microwave cooking can be set as two stages only. Defrost program and auto menu cannot be set here.



When the first stage finish, buzzer sounds once and the second stage begins cooking.



During cooking,each added press on **"ADD 30 SEC."**, 30 seconds can be added too. The time can be up to 99 minutes and 99 seconds.

4.2.4 Speedy Cooking

1. In waiting states,press **" ADD 30 SEC."** to start cooking 100% microwave power for 30 seconds.
2. During cooking states, 30 seconds can be increased for each pressing on **"ADD 30 SEC."**. The maximum cooking time is 99 minutes and 99 seconds.
3. Press number keys from 1 to 6 to start cooking with full microwave power for 1-6 minutes.



During speedy cooking, microwave power can be checked and selected. Press **"POWER"**, the current power displays, then press number keys to choose the power you need

4.2.5 Defrost Cooking

A. Defrost By Weight

1. Press **"DEFROST AUTO/TIME"** once to choose defrost by weight function. Defrost indicator will light and "lb" indicator flash;
2. Press number keys from 0 to 9 to input the defrost weight. For example: the food weight is 1.2 Lbs, then **"1","2"** will be input. The maximum cooking weight is 6.0 Lbs.If the weight input is more than 6.0 Lbs, the unit will turn back to waiting states.
3. Press **"START/PAUSE"** to start defrosting. "lb" indicator will be off.

B. Defrost By Time

1. Press **"DEFROST AUTO/TIME"** twice to choose defrost by time function. Defrost indicator will light;

4 Operation

2. Press number keys from 0 to 9 to input the defrost time. The maximum time can be input is 99 minutes and 99 seconds.
3. Press **"START/PAUSE"** to start defrosting.



If half the defrost time passes, the buzzer will sound twice to remind you to turn the food over.

4.2.6 Hood Function

1. When the exhaust fan is under off states, press **"VENT FAN/H/L/OFF"** once to choose the fan with high speed;
2. Press **"VENT FAN/H/L/OFF"** twice to choose the fan with low speed;
3. Press **"VENT FAN/H/L/OFF"** three times to choose the fan to be off.
4. Except lock states, the fan can be adjusted anytime.

4.2.7 Oven Lamp

1. Press **"SURFACE LIGHT ON/OFF"** once to turn on the lamp;
2. Press **"SURFACE LIGHT ON/OFF"** twice to turn off the lamp.

4.2.8 Timer Function

1. Press **"TIMER"**, timer indicator will light;
2. Press number keys to input the cooking time you need. The maximum cooking time is 99 minutes and 99 seconds.
3. Press **"TIMER"**, time counts down. When time counting down is over, buzzer sounds to indicates off.



During timer states, hood and oven lamp can be activated. Others function will be no used.

4.2.9 Display On/Off Function

1. In waiting states, press "0" for 3 seconds, buzzer sounds twice. Waiting mode can be turn on or turn off.

1. When the display under the off states, program can be set too. But cooking cannot be done. Press **"STOP/CLEAR"** to cancel the setting and turn back to off states. If the key is not pressed, the setting will be cancelled after 25s automatically and turn back to the off states.
2. Set timer function. It will display normally. After finishing, press **"TIMER"** to turn back off states.
3. To reset the clock. Please refers to the clock setting instructions. It will display normally. After operation finish, the display will be off states.

4.2.10 Popcorn Menu

1. Press **"POPCORN"** repeatedly until the number you wish appears in the display.
"1"SET: approximate 1.75 ounces
"2"SET: approximate 3.0 ounces
"3"SET: approximate 3.5 ounces

For example, press **"POPCORN"** once , "1.75" appears in the LED.

2. Press **"START/PAUSE"** to cook.

4.2.11 Baked Potato Menu

1. Press **"BAKED POTATO"** repeatedly until the number you wish appears in the display.
"1"SET: 1 potato
"2"SET: 2 potatoes
"3"SET: 3 potatoes

For example, press **"BAKED POTATO"** once , "1" appears in the LED.

2. Press **"START/PAUSE"** to cook.

4 Operation

4.2.12 Beverage Menu

1. Press “ **BEVERAGE** ” repeatedly until the number you wish appears in the display.

“1”SET: 1 cup

“2”SET: 2 cups

“3”SET: 3 cups

For example, press “**BEVERAGE**” once, “1” appears in the LED.

2. Press “ **START/PAUSE** ” to cook.

4.2.13 Reheat Menu

1. Press “ **REHEAT** ” repeatedly until the number you wish appears in the display.

“1”SET: approximate 8.0 ounces

“2”SET: approximate 16.0 ounces

“3”SET: approximate 24.0 ounces

For example, press “**REHEAT**” once, “8.0” appears in the LED.

b) Press “ **START/PAUSE** ” to cook.

4.2.14 Inquiring Function

1. Under microwave cooking states, press “**POWER**” to check the power level.

2. During cooking states, press “**CLOCK/AM/PM**” to check the clock.

4.2.15 Lock Function For Children

Lock: In waiting state, press “ **STOP/CLEAR** ” for 3 seconds, there will be two beeps

denoting the entering into the children-lock state;

Lock quitting: In locked state, press “ **STOP/CLEAR** ” for 3 seconds, there will be two beeps denoting that lock is released.

5 Maintenance

5.1 Troubleshooting

Check your problem by using the chart below and try the solutions for each problem. If the microwave oven still does not work properly, contact the nearest authorized service center.

Trouble	Possible cause	Possible remedy
Oven will not start	a. Electrical cord for oven is not plugged in. b. Door is open. c. Wrong operation is set.	a. Plug into the outlet. b. Close the door and try again. c. Check instructions.
Arcing or sparking	a. Materials to be avoided in microwave oven were used. b. The oven is operated when empty. c. Spilled food remains in the cavity.	a. Use microwave-safe cookware only. b. Do not operate with oven empty. c. Clean cavity with wet towel.
Unevenly cooked foods	a. Materials to be avoided in microwave oven were used. b. Food is not defrosted completely. c. Cooking time, power level is not suitable. d. Food is not turned or stirred.	a. Use microwave-safe cookware only. b. Completely defrost food. c. Use correct cooking time, power level. d. Turn or stir food.
Overcooked foods	Cooking time, power level is not suitable.	Use correct cooking time, power level.
Undercooked foods	a. Materials to be avoided in microwave oven were used. b. Food is not defrosted completely. c. Oven ventilation ports are restricted. d. Cooking time, power level is not suitable.	a. Use microwave-safe cookware only. b. Completely defrost food. c. Check to see that oven ventilation ports are not restricted. d. Use correct cooking time, power level.
Improper defrosting	a. Materials to be avoided in microwave oven were used. b. Cooking time, power level is not suitable. c. Food is not turned or stirred.	a. Use microwave-safe cookware only. b. Use correct cooking time, power level. c. Turn or stir food.

6 Service instructions

PRECAUTIONS TO BE OBSERVED BEFORE AND DURING SERVICING TO AVOID POSSIBLE EXPOSURE TO EXCESSIVE MICROWAVE ENERGY

- a. Do not operate or allow the oven to be operated with the door open.
- b. Make the following safety checks on all ovens to be serviced before activating the magnetron or other microwave source, and make repairs as necessary:
 - Interlock operation,
 - Proper door closing,
 - Seal and sealing surfaces (arcing, wear, and other damage),
 - Damage to or loosening of hinges and latches,
 - Evidence of dropping or abuse.
- c. Before turning on microwave power for any service test or inspection within the microwave generating compartments, check the magnetron, wave guide or transmission line, and cavity for proper alignment, integrity, and connection.
- d. Any defective or misadjusted components in the interlock, monitor, door seal, and microwave generation and transmission systems shall be repaired, replaced, or adjusted by procedures described in this manual before the oven is released to the owner.
- e. A microwave leakage check to verify compliance with the Federal Performance Standard should be performed on each oven prior to release to the owner.

Avant d'utiliser l'appareil, veuillez lire ce manuel !


Chère cliente, cher client,

Merci d'avoir choisi les produits Blomberg. Nous espérons que ce produit, fabriqué dans des installations modernes et soumis à un processus de contrôle qualité rigoureux, vous offre les meilleures performances possibles. C'est pourquoi nous vous recommandons, avant d'utiliser ce produit, de lire attentivement ce manuel et tous les autres documents fournis et de les conserver soigneusement pour toute consultation future. Si vous confiez le produit à quelqu'un d'autre, n'oubliez pas de lui remettre également le manuel d'utilisation. Veuillez à bien respecter les consignes et les instructions figurant dans le manuel d'utilisation.

Signification des symboles

Les symboles suivants sont utilisés tout au long de ce manuel :

	Informations importantes et conseils utiles sur l'utilisation de l'appareil.
--	--

	Avertissement sur les situations dangereuses concernant la sécurité des biens et des personnes.
--	---

	Avertissement en cas de contact avec une surface brûlante.
--	--

	Classe de protection pour le choc électrique.
---	---

CONSERVEZ CES INSTRUCTIONS!

1 Instructions importantes en matière de sécurité et d'environnement 22

- 1.1 Précautions à prendre pour éviter d'éventuelles expositions à des quantités excessives d'énergie micro-onde 22
- 1.2 Instructions de mise à la terre 25
- 1.3 Interférences Radio 26

2 Votre four à micro-ondes 30

- 2.1 Vue d'ensemble 30
- 2.2 Données techniques 30
- 2.3 Installation du plateau tournant 31

3 Installation 32

- 3.1 Installation 32

4 Fonctionnement 33

- 4.1 Panneau de commande et fonctionnalités 33
- 4.2 Instructions de fonctionnement 33
 - 4.2.1 Réglage de l'horloge 33
 - 4.2.2 Cuisson au four à micro-ondes 33
 - 4.2.3 Cuisson à étapes multiples 34
 - 4.2.4 Cuisson rapide 35
 - 4.2.5 Dégivrage 35
 - 4.2.6 Fonction Hotte aspirante 35
 - 4.2.7 Lampe du four 36
 - 4.2.8 Fonction de minuterie 36
 - 4.2.9 Fonction Affichage Marche/Arrêt 36
 - 4.2.10 Menu Popcorn 36
 - 4.2.11 Menu Pommes de terre au four 36
 - 4.2.12 Menu Boisson 37
 - 4.2.13 Menu Réchauffage 37
 - 4.2.14 Fonction d'interrogation 37
 - 4.2.15 Sécurité enfants 37

5 Entretien 38

- 5.1 Dépannage 38

6 Consignes d'entretien 39

1.1 Précautions à prendre pour éviter d'éventuelles expositions à des quantités excessives d'énergie micro-onde.

- a. Ne faites pas fonctionner ce four lorsque la porte est ouverte, car l'exposition à l'énergie micro-onde est nocive. Il est important de ne pas endommager ou altérer les dispositifs de verrouillage de sécurité.
- b. Ne placez aucun objet entre la façade du four et la porte et ne laissez pas de résidus d'aliments ou de produit d'entretien s'accumuler sur les surfaces d'étanchéité.
- c. Ne mettez pas le four en marche lorsqu'il est endommagé. Il est particulièrement important de fermer correctement la porte du four et de vous assurer que les composants suivants ne présentent aucun dommage :
 1. la PORTE (pliée) ;
 2. les CHARNIÈRES ET les LOQUETS (brisés ou desserrés) ;
 3. les JOINTS DE PORTE ET les SURFACES D'ÉTANCHÉITÉ ;
- d. Le four doit uniquement être ajusté ou réparé par un personnel qualifié.

AVERTISSEMENT : Pour réduire les risques d'incendie, de choc électrique ou de blessures, il est important de toujours observer quelques mesures de sécurité de élémentaires, y compris les suivantes :

- Lisez toutes les instructions avant d'utiliser l'appareil.

- Lisez et respectez scrupuleusement les : « **PRÉCAUTIONS POUR ÉVITER UNE ÉVENTUELLE EXPOSITION À UNE GRANDE QUANTITÉ D'ÉNERGIE MICRO-ONDE** » contenues à la page 4.

- Comme pour la plupart des appareils de cuisson, une surveillance sans faille est nécessaire pour réduire le risque d'incendie dans la cavité du four.

- Pour réduire le risque d'incendie dans la cavité du four :

- i. Ne faites pas trop cuire les aliments. Restez près de l'appareil lorsque vous placez du papier, des matériaux en plastique ou tout autre matériau combustible dans le four pour faciliter la cuisson.

- ii. Retirez les attaches de fil métallique et les poignées en métal des sacs ou récipients en papier ou en plastique avant de les placer dans le four.

- iii. Si les matériaux contenus dans le four s'enflamment, gardez la porte du four fermée. Mettez le four hors tension et débranchez-le. Débranchez le cordon d'alimentation et coupez l'alimentation au niveau du fusible ou du disjoncteur.

- iv. N'utilisez pas la cavité du four comme espace de rangement. Ne laissez pas des articles en papier, des ustensiles de cuisine ou des aliments dans la cavité lorsque l'appareil n'est pas utilisé.

- Ce four doit être mis à la terre. Branchez-le uniquement sur une prise correctement mise à la terre. Voir « **INSTRUCTIONS DE MISE À LA TERRE** » à la page 7.

- Installez et placez le four uniquement selon les instructions d'installation fournies.

- Certains produits tels que les œufs entiers, les récipients hermétiques et les bocaux en verre peuvent exploser et ne doivent pas être chauffés dans le four.
- Utilisez cet appareil uniquement pour les fins indiquées dans ce manuel. N'utilisez pas de produits chimiques corrosifs ou de vapeurs sur cet appareil. Ce four est conçu spécialement pour chauffer, cuire ou sécher les aliments. Il n'est pas conçu pour un usage industriel ou en laboratoire.
- Comme tout autre appareil, l'utilisation du four par les enfants doit se faire sous surveillance rapprochée.
- Ne mettez pas ce four en marche si son cordon ou sa fiche est endommagé(e), s'il ne fonctionne pas correctement ou s'il est endommagé ou est tombé.
- L'entretien de cet appareil doit être effectué uniquement par des techniciens qualifiés. Contactez le service d'entretien agréé le plus proche pour procéder aux examens, aux réparations ou aux réglages.
- Ne couvrez ou ne bloquez aucun orifice du four.
- Ne rangez ou n'utilisez pas l'appareil à l'extérieur.
- N'utilisez pas ce four à proximité des sources d'eau par exemple à proximité d'un évier de cuisine, sur un sol mouillé, à proximité d'une piscine ou des endroits similaires.
- Évitez d'immerger le cordon ou la fiche dans de l'eau.
- Tenez le cordon à distance des surfaces chaudes.
- Ne laissez pas le cordon pendre par-dessus le rebord d'une table ou d'un comptoir.
- Lorsque vous nettoyez les surfaces de la porte et les parties du four qui entrent en contact lorsque vous fermez la porte, utilisez du savon ou du détergent doux, non abrasif et appliquez à l'aide d'une éponge ou d'un chiffon doux.

- Les liquides tels que l'eau, le café ou le thé, peuvent être portés au-delà de la température d'ébullition sans en avoir l'apparence. Le bouillonnement ou l'ébullition n'est pas toujours visible lors du retrait du récipient du four à micro-ondes. **UN DÉVERSEMENT PAR ÉBULLITION SOUDAINE DES LIQUIDES TRÈS CHAUDS PEUT SURVENIR LORSQUE VOUS AGITEZ LE RÉCIPIENT LORSQUE VOUS TREMPEZ UNE CUILLÈRE OU UN AUTRE USTENSILE DANS LE LIQUIDE.**
 - i. Ne surchauffez pas les liquides.
 - ii. Remuez les liquides avant le chauffage et à mi-chemin du processus.
 - iii. N'utilisez aucun récipient à parois droites comportant un goulot étroit.
 - iv. Après le chauffage, laissez le récipient refroidir quelques instants dans le four à micro-ondes avant de le retirer.
 - v. Soyez extrêmement prudent lors de l'introduction d'une cuillère ou de tout autre ustensile dans le récipient.
- Ne faites fonctionner aucun appareil de cuisson ou de chauffage en-dessous du four.
- N'installez pas le four sur ou à proximité des appareils de cuisson ou de chauffage.
- Ne l'installez pas sur un dissipateur de chaleur.
- Ne posez rien sur la surface supérieure de l'appareil lorsqu'il est en marche.

1.2 Instructions de mise à la terre



En cas de choc électrique, certains composants internes peuvent causer des blessures corporelles graves ou la mort. Évitez de démonter cet appareil.



Risque de choc électrique
- La mise à la terre inappropriée peut entraîner des chocs électriques. Branchez l'appareil à une prise uniquement lorsqu'il est correctement installé et mis à la terre.

Fiche à trois broches (mise à la terre)

Cet appareil doit être branché à une borne de mise à la terre. En cas de court-circuit électrique, la mise à la terre réduit le risque de choc électrique en permettant au courant électrique de s'échapper par un fil. Cet appareil est équipé d'un cordon muni d'un câble de masse et d'une fiche de mise à la terre.

Branchez la fiche sur une prise correctement installée et mise à la terre.

Consultez un électricien qualifié ou un technicien d'entretien si vous ne comprenez pas parfaitement les instructions de mise à la terre ou si vous avez des doutes sur la mise à la terre correcte de l'appareil. S'il est nécessaire d'utiliser une rallonge, utilisez uniquement une rallonge à 3 fils dotée d'une fiche de mise à la terre à 3 broches et une prise à 3 fentes adaptée à la fiche de l'appareil.

La puissance électrique indiquée sur la rallonge doit être supérieure ou égale à celle de l'appareil.

- Un cordon d'alimentation court est fourni pour empêcher de piétiner ou de trébucher sur un cordon long.

- Les cordons prolongateurs ou les rallonges sont disponibles et peuvent être utilisés si des précautions sont prises lors de leur utilisation.
- Si vous utilisez un cordon prolongateur ou une rallonge :
 - i. les caractéristiques électriques nominales du cordon prolongateur ou de la rallonge doivent être au moins aussi puissantes que les valeurs figurant sur la plaque signalétique de l'appareil ;
 - ii. la rallonge doit disposer d'un cordon à 3 fils avec mise à la terre ; et
 - iii. disposez le cordon prolongateur de sorte qu'il ne passe pas par-dessus le plan de travail ou la table : des enfants pourraient tirer dessus ou y trébucher accidentellement.

1.3 Interférences Radio

- Le fonctionnement du four à micro-ondes peut créer des interférences avec la radio, la télévision ou d'autres appareils similaires.
- En cas d'interférences, il est possible de les réduire ou supprimer en prenant les mesures suivantes :

- i. Nettoyez la porte et la surface d'étanchéité du four.
- ii. Réorientez l'antenne de réception de la radio ou de la télévision.
- iii. Déplacez le four à micro-ondes par rapport au récepteur.
- iv. Éloignez le four à micro-ondes du récepteur.
- v. Branchez le four à micro-ondes sur une autre prise, de sorte que le four et le récepteur se trouvent sur des circuits de dérivation différents.

En cas de doute, vous pouvez tester l'ustensile en question en suivant la procédure ci-après

Test des ustensiles :

- Remplissez un plat micro-ondable d'un verre d'eau froide (250 ml) de même que l'ustensile en question.
- Faites cuire à pleine puissance pendant 1 minute.
- Remplissez soigneusement l'ustensile. Si l'ustensile vide est chaud, ne l'utilisez pas pour la cuisson au micro-ondes.
- Ne dépassez pas 1 minute de temps de cuisson.

Risque de blessure corporelle



Les ustensiles hermétiquement fermés peuvent exploser. Vous devez ouvrir les récipients fermés et percer les petits sacs en plastique avant la cuisson.

Consultez les instructions relatives aux « Matériaux compatibles ou non compatibles avec le four à micro-ondes. » L'utilisation de certains ustensiles non métalliques peut s'avérer dangereuse dans le micro-ondes.

Matériaux utilisables dans le four à micro-ondes

Ustensiles	Remarques
Papier aluminium	Protection uniquement. Vous pouvez utiliser de petits morceaux lisses pour couvrir les morceaux de viande ou de volaille épais pour éviter la cuisson excessive. Un arc peut se produire si le papier est trop proche des parois du four. Il doit être éloigné de 1 pouce (2,5 cm) au minimum des parois du four.
Plat brunisseur	Suivez les instructions du fabricant. Le fond du plat brunisseur doit être à un minimum de 3/16 pouces (5 mm) au-dessus du plateau tournant. Une utilisation inappropriée peut briser le plateau tournant.
Vaisselle	Micro-ondable uniquement. Suivez les instructions du fabricant. N'utilisez pas de plats fissurés ou ébréchés.
Bocaux en verre	Retirez toujours le couvercle. Utilisez uniquement pour réchauffer les aliments jusqu'à ce qu'ils soient tièdes. La plupart des bocaux en verre ne sont pas thermorésistants et peuvent se briser.
Verrerie	Verrerie culinaire thermorésistante uniquement. Assurez-vous qu'il n'existe pas de garniture métallique. N'utilisez pas de plats fissurés ou ébréchés.
Sacs de cuisson au four	Suivez les instructions du fabricant. Évitez de fermer avec une attache métallique. Assurez-vous que les fentes laissent la vapeur s'échapper.
Plats et coupelles en papier	Utilisez pour une cuisson / un chauffage à court terme uniquement. Ne laissez pas le four à micro-ondes sans surveillance lors de la cuisson.
Serviettes en papier	Utilisez-les pour couvrir les aliments pour le réchauffage et l'absorption des graisses. Utilisez sous surveillance pour une cuisson à court terme uniquement.
Papier sulfurisé	Utilisez comme couvercle pour éviter les éclaboussures ou comme protection contre la vapeur.
Plastique	Micro-ondable uniquement. Suivez les instructions du fabricant. Doit porter la mention « Microwave Safe » (Micro-ondable). Certains récipients en plastique ramollissent, à mesure que les aliments deviennent chauds. Vous devez fendre, percer ou aérer « les sacs de cuisson » et les sacs en plastique conformément à leurs indications.
Pellicule plastique	Micro-ondable uniquement. Utilisez pour couvrir les aliments durant la cuisson pour conserver l'humidité. Évitez tout contact entre la pellicule plastique et les aliments.
Thermomètres	Micro-ondable uniquement (thermomètres à viande ou à sirop).
Papier paraffiné	Utilisez comme couvercle pour éviter les éclaboussures et conserver l'humidité.

1

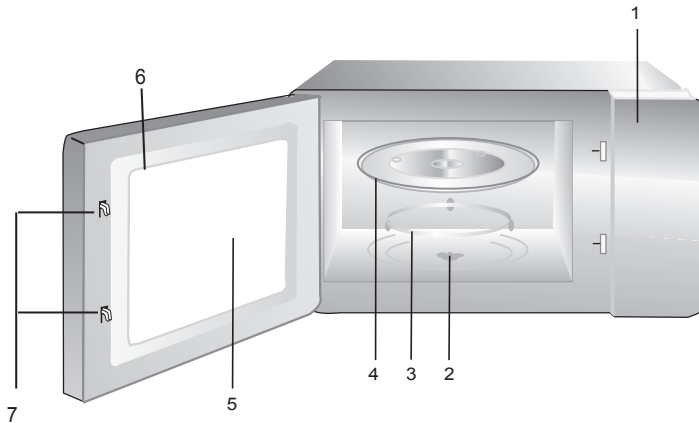
Instructions importantes en matière de sécurité et d'environnement

Matériaux à éviter dans le four à micro-ondes

Ustensiles	Remarques
Plateau en aluminium	Peut provoquer un arc. Transférez les aliments dans un plat micro-ondable.
Carton de produits alimentaires avec poignée métallique	Peut provoquer un arc. Transférez les aliments dans un plat micro-ondable.
Ustensiles en métal ou à garniture métallique	Le métal protège les aliments grâce à l'énergie des micro-ondes. Les ustensiles en métal peuvent provoquer un arc.
Attaches métalliques	Peuvent provoquer un arc et entraîner un incendie dans le four.
Sachets en papier	Peuvent entraîner un incendie dans le four.
Mousse plastique	La mousse plastique peut fondre ou contaminer le liquide à l'intérieur lorsqu'elle est exposée à des températures élevées.
Bois	Utilisez pour une cuisson / un chauffage à court terme uniquement. Ne laissez pas le four à micro-ondes sans surveillance lors de la cuisson.
Serviettes en papier	Le bois se sèche lorsqu'il est utilisé dans le four à micro-ondes et peut se fendre ou se fissurer.

2 Votre four à micro-ondes

2.1 Vue d'ensemble



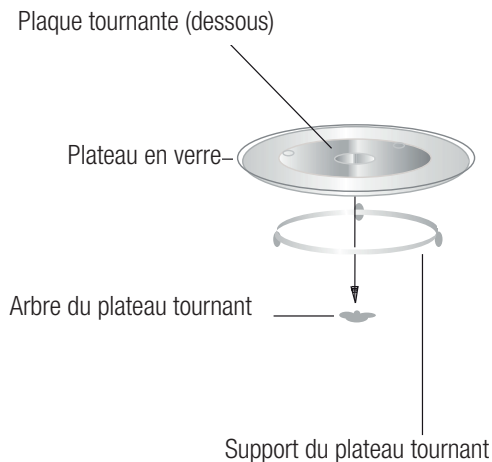
1. Panneau de commande
2. Arbre du plateau tournant
3. Support du plateau tournant
4. Plateau en verre
5. Fenêtre du four
6. Groupe de porte
7. Dispositif de verrouillage de sécurité de la porte

2.2 Données techniques

Tension nominale	120V~ 60Hz
Puissance d'entrée nominale (Micro-ondes)	1550 W
Puissance nominale de sortie (Micro-ondes)	1000 W
Diamètre du plateau tournant	Ø 345 mm
Dimensions externes	759 X 382 X 417 mm
Capacité du four	44 L
Poids net	Environ 25 kg

Les inscriptions sur le produit ou les valeurs indiquées sur la documentation fournie avec le produit sont des valeurs obtenues dans des conditions de laboratoire conformément aux normes en vigueur. Ces valeurs peuvent varier selon l'utilisation de l'appareil et les conditions ambiantes. Les valeurs d'alimentation électrique sont testées à 230 V.

2.3 Installation du plateau tournant



- Ne placez jamais le plateau en verre à l'envers. Il ne doit en aucun cas être bloqué.
- Utilisez toujours le plateau en verre et le support du plateau tournant pendant la cuisson.
- Placez toujours tous les aliments et les récipients sur le plateau en verre pour la cuisson.
- En cas de fissure ou de cassure du plateau en verre ou du support du plateau tournant, contactez le centre de service agréé le plus proche.

3 Installation

- Retirez tous les matériaux d'emballage et les accessoires. Examinez tout signe de dommages tels que des creux ou des signes de porte cassée. N'installez pas le four s'il est endommagé.
- Retirez le film de protection sur la surface de la carrosserie du four à micro-ondes.

3.1 Installation

1. Installez l'appareil sur une surface plane et dans un endroit offrant assez d'espace pour l'admission et/ou l'évacuation d'air.

Laissez un espace minimum de 3,0 pouces (7,5 cm) entre le four et les murs adjacents. Laissez un côté ouvert.

Ne retirez pas le couvercle de mica marron clair fixé à la cavité du four pour protéger le magnétron.

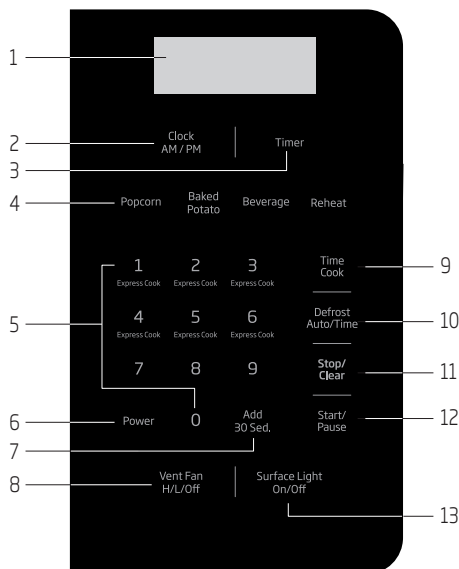
- Laissez un espace minimum de 12 pouces (30 cm) au-dessus du four.
 - Ne retirez pas les pieds qui se trouvent en dessous du four.
 - Évitez d'obstruer les ouvertures d'entrée et de sortie, au risque d'endommager le four.
 - Installez le micro-ondes le plus loin possible de la radio et de la télévision. Le fonctionnement du four à micro-ondes peut créer des interférences avec votre radio ou votre télévision.
2. Branchez le four à une prise normale de sortie de votre maison. Assurez-vous que la tension et la fréquence correspondent aux valeurs indiquées sur la plaque signalétique.



AVERTISSEMENT : Ne placez pas le four au-dessus d'une cuisinière, d'une surface de cuisson ou de tout autre appareil dégageant de la chaleur. Si vous le faites, il peut subir des dommages et la garantie sera nulle.

4 Fonctionnement

4.1 Panneau de commande et fonctionnalités



1. Écran d'affichage
2. Horloge : pour régler le temps de cuisson.
3. Minuterie
4. Menu automatique
5. Touches numériques
6. Puissance
7. Add 30Sec. (Ajouter 30 sec.)
8. Vent Fan/H/L/Off (ventilateur d'aération/h//arrêt)
9. Time Cook (Temps de cuisson)
10. Defrost Auto/Time (Dégivrage automatique / durée)
11. **Arrêter/Annuler** : Annulez tous les réglages précédents avant de démarrer la cuisson. Pendant la cuisson : appuyez une fois pour arrêter le four ; deux fois pour l'arrêter et supprimer toutes les entrées.
12. Démarrer/Pause
13. Surface d'éclairage Marche / Arrêt

4.2 Instructions de fonctionnement

4.2.1 Réglage de l'horloge

1. Appuyez sur **"CLOCK/AM/PM" (HORLOGE AM/PM)** pour que l'appareil entre en mode réglage de l'horloge. Le voyant AM s'allume. "0 : 00" clignote pour vous rappeler de saisir l'heure.
2. Appuyez à nouveau sur **"CLOCK/AM/PM" (HORLOGE AM/PM)** pour sélectionner AM ou PM. Le voyant correspondant s'allume.
3. Appuyez sur les touches numériques pour saisir l'heure exacte. Par exemple, s'il est 10 h 12, appuyez séquentiellement sur les touches "1, 0, 1 et 2".
4. Appuyez sur **"CLOCK/AM/PM" (HORLOGE AM/PM)** pour terminer le réglage de l'horloge. Remarque : Il s'agit d'une horloge de 12 heures, allant de 1 h 00 à 12 h 59. Si l'heure inscrite n'est pas correcte, la touche **"CLOCK/AM/PM" (HORLOGE AM/PM)** ne fonctionne pas. La sonnerie émet deux bips et le four retourne en mode veille.

4.2.2 Cuisson au four à micro-ondes

1. Appuyez sur **"TIME COOK" (TEMPS DE CUISSON)** pour sélectionner la cuisson par micro-ondes. "0 : 00" clignote pour vous rappeler de saisir le temps de cuisson.
2. Appuyez sur les touches numériques pour entrer le temps de cuisson souhaité. Par exemple, pour régler le temps de cuisson à 10 minutes. Appuyez séquentiellement sur "1, 0, 0, et 0" Le temps de cuisson maximum est de 99 minutes et 99 secondes.
3. En même temps, vous pouvez sélectionner la puissance de cuisson en appuyant sur la touche **"POWER" (PUISSANCE)**.
4. Appuyez sur les touches numériques pour sélectionner le niveau de puissance.

4 Fonctionnement

5. Appuyez sur **"START/PAUSE" (DÉMARRER/PAUSE)** pour démarrer la cuisson. Le compte à rebours commence.



Si le niveau de puissance sélectionné est 100 %, vous pouvez ignorer les étapes "3" et "4" et passer directement à l'étape "5".



Une fois la cuisson terminée, l'alarme sonore retentit cinq fois.

Dix niveaux de puissance sont disponibles.

Niveau	10	9	8	7	6	5	4	3	2	1
Puissance	100 %	90 %	80 %	70 %	60 %	50 %	40 %	30 %	20 %	10 %
Écran	PL10	PL9	PL8	PL7	PL6	PL5	PL4	PL3	PL2	PL1

4.2.3 Cuisson à étapes multiples

Deux étapes au plus peuvent être saisies.

Par exemple : Pour faire cuire les aliments au micro-ondes à la puissance 100 % pendant 10 minutes, puis à la puissance 80 % pendant 15 minutes. Procédez comme suit :

1. Appuyez sur **"TIME COOK" (TEMPS DE CUISSON)** pour sélectionner la cuisson par micro-ondes ;
2. Appuyez sur "1", "0", "0" et "0" pour saisir le temps de cuisson ;
3. Appuyez sur **"POWER" (PUISSANCE)** pour sélectionner 100 % de puissance du micro-ondes ;
4. Appuyez sur **"TIME COOK" (TEMPS DE CUISSON)** pour sélectionner la cuisson par micro-ondes ;
5. Appuyez sur "1", "5", "0" et "0" pour saisir le temps de cuisson ;
6. Appuyez sur **"POWER" (PUISSANCE)** pour sélectionner la puissance du micro-ondes ;
7. Appuyez sur "8" pour sélectionner 80 % de puissance du four à micro-ondes ;

8. Appuyez sur **"START" (DÉMARRER)** pour démarrer la cuisson.



La cuisson aux micro-ondes peut être réglée à deux niveaux uniquement. Le programme de dégivrage et le menu Automatique ne peuvent être réglés ici.



Une fois le premier niveau terminé, l'alarme sonore retentit une fois et cela active le second niveau pour la cuisson.



Pendant la cuisson, chaque fois que vous appuyez sur **"ADD 30 SEC." (AJOUTER 30 SEC.)**, 30 secondes s'ajoutent au temps de cuisson. Le temps maximum est de 99 minutes et 99 secondes.

4 Fonctionnement

4.2.4 Cuisson rapide

1. En état d'attente, appuyez sur **"ADD 30 SEC." (AJOUTER 30 SEC.)** pour démarrer la cuisson au micro-ondes à 100 % de puissance pendant 30 secondes.
2. Pendant la cuisson, vous pouvez ajouter 30 secondes de plus au temps de cuisson en appuyant sur **"ADD 30 SEC." (AJOUTER 30 SEC.)**. Le temps de cuisson maximum est de 99 minutes et 99 secondes.
3. Appuyez sur les touches numériques de 1 à 6 pour démarrer une cuisson au micro-ondes à puissance maximale pendant 1 à 6 minutes.



Pendant la cuisson rapide, vous pouvez vérifier et sélectionner la puissance micro-ondes. Appuyez sur **"POWER" (PUISSANCE)**, la puissance actuelle s'affiche, puis appuyez sur les touches numériques pour sélectionner la puissance souhaitée.

4.2.5 Dégivrage

A. Dégivrage par le poids

1. Appuyez sur **"DEFROST AUTO/TIME" (DÉGIVRAGE AUTOMATIQUE / DURÉE)** une fois pour sélectionner la fonction de dégivrage par le poids. Le voyant de dégivrage s'allume et le voyant "lb" clignote ;
2. Appuyez sur les touches numériques de 0 à 9 pour entrer le poids de dégivrage. Par exemple : si les aliments pèsent 1,2 lb, saisissez "1" et "2". Le poids de cuisson maximum est de 6 lb. Si le poids saisi est supérieur à 6 lb, l'appareil retourne en mode Veille.
3. Appuyez sur **"START/PAUSE" (DÉMARRER/PAUSE)** pour entamer le dégivrage. Le voyant "lb" s'éteint.

B. Dégivrage sur le temps

1. Appuyez sur **"DEFROST AUTO/TIME" (DÉGIVRAGE AUTOMATIQUE / DURÉE)** deux fois pour sélectionner la fonction de dégivrage sur le temps. Le voyant de dégivrage s'allume ;
2. Appuyez sur les touches numériques de 0 à 9 pour saisir le temps de dégivrage. Le temps maximum à saisir est de 99 minutes et 99 secondes.
3. Appuyez sur **"START/PAUSE" (DÉMARRER/PAUSE)** pour entamer le dégivrage.



Lorsque la moitié du temps de dégivrage s'est écoulée, l'alarme sonore retentit deux fois pour vous rappeler de remuer les aliments.

4.2.6 Fonction Hotte aspirante

1. Lorsque le ventilateur d'évacuation est à l'arrêt, appuyez sur **"VENT FAN/H/L/OFF" (VENTILATEUR D'AÉRATION/H/L/ARRÊT)** afin de sélectionner le ventilateur à grande vitesse ;
2. Appuyez sur **"VENT FAN/H/L/OFF" (VENTILATEUR D'AÉRATION/H/L/ARRÊT)** deux fois pour sélectionner le ventilateur à faible vitesse ;
3. Appuyez sur **"VENT FAN/H/L/OFF" (VENTILATEUR D'AÉRATION/H/L/ARRÊT)** trois fois pour mettre le ventilateur à l'arrêt.
4. Excepté en mode Verrouillage, vous pouvez régler le ventilateur à tout moment.

4 Fonctionnement

4.2.7 Lampe du four

1. Appuyez sur **"SURFACE LIGHT ON/OFF"** (**SURFACE D'ÉCLAIRAGE MARCHÉ/ARRÊT**) une fois pour allumer la lampe ;
2. Appuyez sur **"SURFACE LIGHT ON/OFF"** (**SURFACE D'ÉCLAIRAGE MARCHÉ/ARRÊT**) une fois pour éteindre la lampe.

4.2.8 Fonction de minuterie

1. Appuyez sur **"MINUTERIE"**, le voyant de minuterie s'allume ;
2. Appuyez sur les touches numériques pour saisir le temps de cuisson souhaité. Le temps de cuisson maximum est de 99 minutes et 99 secondes.
3. Appuyez sur **"MINUTERIE"**, pour activer le compte à rebours. Une fois le compte à rebours terminé, l'alarme sonore s'arrête.



Pendant le mode de minuterie, il est possible d'activer la hotte aspirante et la lampe de four. Cependant, les autres fonctions ne sont pas accessibles.

4.2.9 Fonction Affichage Marche/Arrêt

1. En mode Veille, appuyez sur "0" pendant 3 secondes, l'alarme sonore retentit deux fois. Il est possible d'activer/de désactiver le mode Veille.
2. Vous pouvez également régler un programme lorsque l'affichage est éteint. Cependant, il sera impossible de régler le temps de cuisson. Appuyez sur **"STOP/CLEAR"** (**ARRÊTER/ANNULER**) pour annuler le réglage et retourner en mode Arrêt. Si vous n'appuyez pas sur la touche correspondante, le réglage s'annule automatiquement au bout de 25 secondes et l'appareil retourne en mode Arrêt.

3. Réglez la fonction de minuterie. Elle s'affiche normalement. Une fois terminé, appuyez sur **"MINUTERIE"** pour retourner en mode Arrêt.
4. Pour réinitialiser l'horloge. Reportez-vous aux instructions relatives aux réglages de l'horloge. Elle s'affiche normalement. Une fois cette opération terminée, l'affichage s'éteint.

4.2.10 Menu Popcorn

1. Appuyez sur **"POPCORN"** (**MAÏS SOUFFLÉ**) à plusieurs reprises jusqu'à ce que le nombre que vous souhaitez s'affiche à l'écran.
RÉGLAGE "1" : environ 1,75 once
RÉGLAGE "2" : environ 3,0 onces
RÉGLAGE "3" : environ 3,5 onces
Par exemple, si vous appuyez sur **"POPCORN"** (**MAÏS SOUFFLÉ**) une fois, "1,75" s'affiche à l'écran à LED.

2. Appuyez sur **"START/PAUSE"** (**DÉMARRER/PAUSE**) pour démarrer la cuisson.

4.2.11 Menu Pommes de terre au four

1. Appuyez sur **"BAKED POTATO"** (**POMMES DE TERRE AU FOUR**) à plusieurs reprises jusqu'à ce que le nombre que vous souhaitez s'affiche à l'écran.
RÉGLAGE "1" : 1 pomme de terre
RÉGLAGE "2" : 2 pommes de terre
RÉGLAGE "3" : 3 pommes de terre
Par exemple, si vous appuyez sur **"BAKED POTATO"** (**POMMES DE TERRE AU FOUR**) une fois, "1" s'affiche à l'écran à LED.
2. Appuyez sur **"START/PAUSE"** (**DÉMARRER/PAUSE**) pour démarrer la cuisson.

4 Fonctionnement

4.2.12 Menu Boisson

1. Appuyez sur **“BEVERAGE” (BOISSON)** à plusieurs reprises jusqu'à ce que le nombre que vous souhaitez s'affiche à l'écran.

RÉGLAGE “1” : 1 tasse

RÉGLAGE “2” : 2 tasses

RÉGLAGE “3” : 3 tasses

Par exemple, si vous appuyez sur **“BEVERAGE” (BOISSON)** une fois, “1” s'affiche à l'écran à LED.

2. Appuyez sur **“START/PAUSE” (DÉMARRER/PAUSE)** pour démarrer la cuisson.

4.2.13 Menu Réchauffage

1. Appuyez sur **“REHEAT” (RÉCHAUFFAGE)** à plusieurs reprises jusqu'à ce que le nombre que vous souhaitez s'affiche à l'écran.

RÉGLAGE “1” : environ 8,0 onces

RÉGLAGE “2” : environ 16,0 onces

RÉGLAGE “3” : environ 24,0 onces

Par exemple, si vous appuyez sur **“REHEAT” (RÉCHAUFFAGE)** une fois, “8,0” s'affiche à l'écran à LED.

b) Appuyez sur **“START/PAUSE” (DÉMARRER/PAUSE)** pour démarrer la cuisson.

4.2.14 Fonction d'interrogation

1. En mode Cuisson par micro-ondes, appuyez sur **“POWER” (PUISSANCE)** pour vérifier le niveau de puissance.

2. Pendant la cuisson, appuyez sur **“CLOCK/AM/PM” (HORLOGE/AM/PM)** pour vérifier l'horloge.

4.2.15 Sécurité enfants

Verrouillage : Appuyez sur la touche **“STOP/CLEAR” (ARRÊTER/ANNULER)** pendant 3 secondes pour que l'alarme sonore émette deux bips

indiquant le passage en mode Sécurité enfants ;

Déverrouillage : En mode Veille, appuyez sur **“STOP/CLEAR” (ARRÊTER/ANNULER)** pendant 3 secondes, l'alarme sonore émet deux bips indiquant le déverrouillage de l'appareil.

5.1 Dépannage

Repérez le problème de votre appareil à partir du tableau ci-dessous et essayez d'appliquer les solutions pourvues pour chaque problème. Si le four à micro-ondes ne fonctionne toujours pas correctement, contactez le centre de service agréé le plus proche.

Panne	Source éventuelle	Recours possible
Le four ne démarre pas	<ul style="list-style-type: none"> a. Le câble électrique du four n'est pas branché. b. La porte est ouverte. c. Un mauvais réglage est effectué. 	<ul style="list-style-type: none"> a. Branchez le câble à la prise. b. Fermez la porte de votre four et essayez à nouveau. c. Suivez les instructions.
Arcs électriques et étincelles	<ul style="list-style-type: none"> a. Des matériaux non compatibles avec le four à micro-ondes ont été utilisés. b. Le four est mis en marche vide. c. Il reste des salissures d'aliments sur la cavité du four. 	<ul style="list-style-type: none"> a. Utilisez uniquement des ustensiles de cuisine pour four à micro-ondes. b. Ne mettez pas le four en marche lorsqu'il est vide. c. Nettoyez la cavité du four avec une serviette humide.
Aliments cuits de façon non homogène	<ul style="list-style-type: none"> a. Des matériaux non compatibles avec le four à micro-ondes ont été utilisés. b. Les aliments ne sont pas complètement décongelés. c. Le temps de cuisson et le niveau de puissance ne correspondent pas. d. Les aliments ne sont ni retournés ni remués. 	<ul style="list-style-type: none"> a. Utilisez uniquement des ustensiles de cuisine pour four à micro-ondes. b. Assurez-vous de complètement décongeler les aliments. c. Assurez-vous d'avoir sélectionné le temps de cuisson et le niveau de puissance appropriés. d. Retournez et remuez les aliments.
Aliments trop cuits	Le temps de cuisson et le niveau de puissance ne sont pas appropriés pour les aliments.	Assurez-vous d'avoir sélectionné le temps de cuisson et le niveau de puissance appropriés.
Aliments insuffisamment cuits	<ul style="list-style-type: none"> a. Des matériaux non compatibles avec le four à micro-ondes ont été utilisés. b. Les aliments ne sont pas complètement décongelés. c. Les orifices de ventilation du four sont obstrués. d. Le temps de cuisson et le niveau de puissance ne sont pas appropriés pour les aliments. 	<ul style="list-style-type: none"> a. Utilisez uniquement des ustensiles de cuisine pour four à micro-ondes. b. Assurez-vous de complètement décongeler les aliments. c. Vérifiez que les orifices de ventilation du four ne sont pas obstrués. d. Assurez-vous d'avoir sélectionné le temps de cuisson et le niveau de puissance appropriés.
Mauvaise décongélation	<ul style="list-style-type: none"> a. Des matériaux non compatibles avec le four à micro-ondes ont été utilisés. b. Le temps de cuisson et le niveau de puissance ne sont pas appropriés pour les aliments. c. Les aliments ne sont ni retournés ni remués. 	<ul style="list-style-type: none"> a. Utilisez uniquement des ustensiles de cuisine pour four à micro-ondes. b. Assurez-vous d'avoir sélectionné le temps de cuisson et le niveau de puissance appropriés. c. Retournez et remuez les aliments.

6 Consignes d'entretien

PRÉCAUTIONS À PRENDRE AVANT ET PENDANT L'ENTRETIEN POUR ÉVITER TOUTE EXPOSITION À UNE GRANDE QUANTITÉ D'ÉNERGIE MICRO-ONDE

- a. Évitez de faire fonctionner le four avec la porte ouverte.
- b. Effectuez les vérifications de sécurité suivantes sur tout four à réviser avant d'activer le magnétron ou toute autre source d'énergie micro-onde et procédez aux réparations, le cas échéant :
 - Fonctionnement du dispositif de verrouillage ;
 - Fermeture adéquate de la porte ;
 - Joint et surfaces d'étanchéité (formation d'arc, usure et tout autre dommage) ;
 - Défaillance ou desserrage des charnières et des fixations ;
 - Traces de chute ou d'utilisation abusive.
- c. Avant de mettre en marche le four pour un test de fonctionnement ou une inspection des compartiments de génération de micro-ondes, assurez-vous que le magnétron, le guide d'ondes ou la ligne de transmission et la cavité sont bien alignés, étanches et bien connectés.
- d. En cas de défaillance ou de mauvais ajustement des composantes telles que le dispositif de verrouillage, l'écran, le joint de porte, les systèmes de transmission et de génération de micro-ondes, procédez aux réparations, aux remplacements ou aux ajustements suivant les procédures décrites dans le manuel avant de remettre le four au propriétaire.
- e. Effectuez une vérification de fuites de micro-ondes pour vous assurer que le four est conforme aux normes de performances fédérales avant de le remettre au propriétaire.

Blomberg[®]

seit 1883

www.blomberginternational.com

info@blomberginternational.com