

Made in Holland

PITT
COOKING

Installation and handling instructions

PITT® cooking in kitchen worktops

These documents contain instructions to securely and successfully install PITT® cooking into kitchen worktops. Furthermore, they indicate which level of craftsmanship is required. To make a warranty claim, installation procedures should be applied as described. PITT® cooking is exclusively intended for consumer use.

Content

1. Materials suitable for PITT® cooking	2
2. Manufacturing recesses (cut-outs)	3
<i>Cut-outs Solid Surface</i>	5
3. Installation kitchen worktop	7
4. Installation PITT® cooking in the kitchen worktop	8

1. Material suitable for PITT® cooking

1a. PITT® cooking can be built into:

- Compact board (eg. Trespa)
- Solid Surface
- Quartz Composite (eg. Caesarstone, Silestone)
- Concrete
- Glass
- Natural stone (eg. granite, marble)
- Stainless steel
- Ceramics



PITT® cooking should never be installed into solid wood and worktops with an HPL top layer.

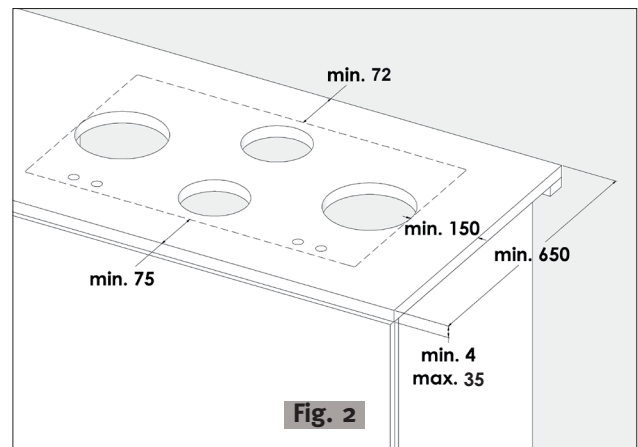
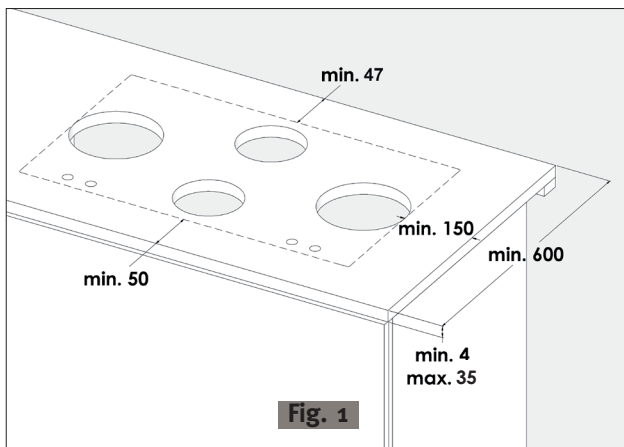
1b. The minimum thickness of the core material is 4 mm. For Solid Surface, Quartz composite, compact board and natural stone applies a minimum thickness of the core material (solid) of 10 mm. For all materials, a maximum thickness of 35 mm applies.



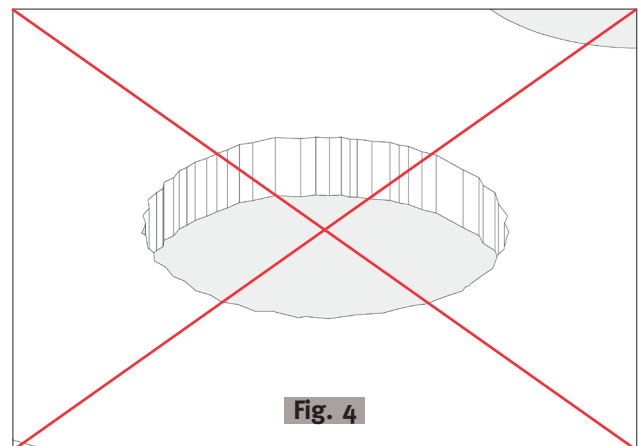
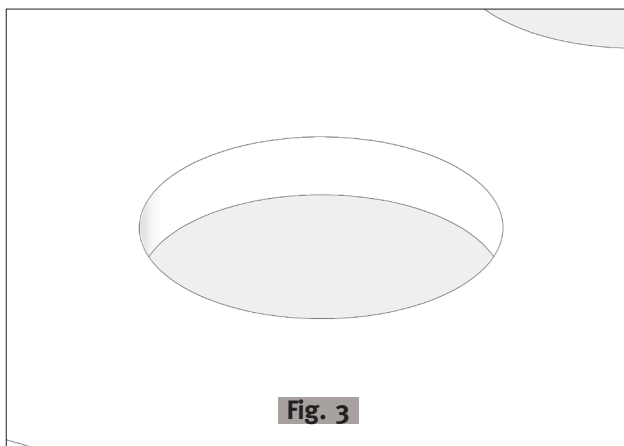
The bottom of the core material needs to be completely flat, in order to bring the heat conductor in full contact with the worktop.

2. Manufacturing recesses (cut-outs)

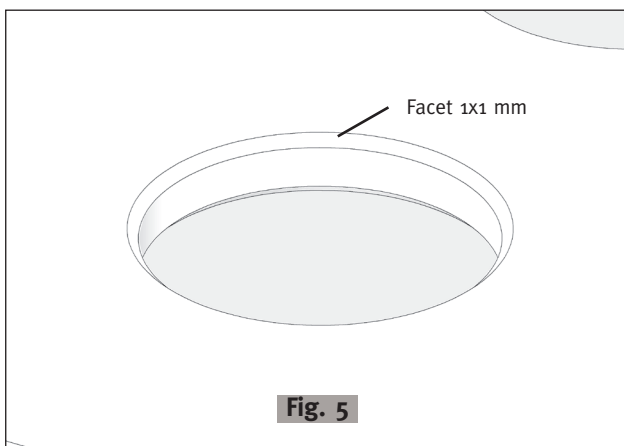
 The guidelines of the kitchen manufacturer and/or the manufacturer of the kitchen worktop should always be strictly followed.



2a. The C-size should be at least 50 mm (fig.1). With the XL models, it should be at least 75 mm (fig.2). The distance between the cut out and the sides (left or right) of the worktop should be at least 150 mm.

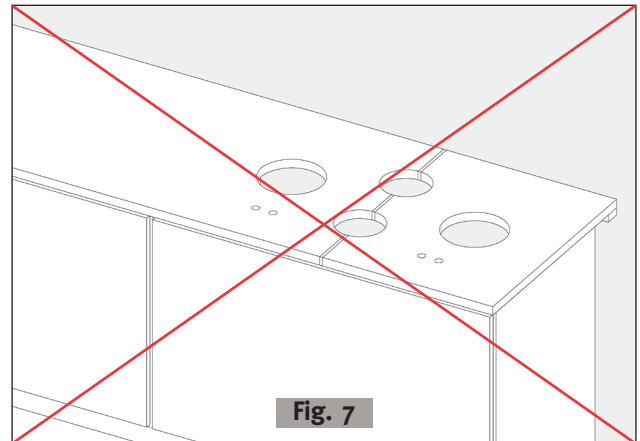
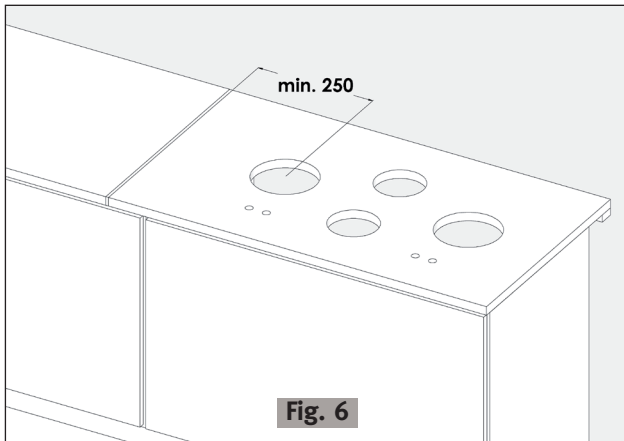


2b. The insides of the recess(es) should be smooth and even (fig. 3). Irregularities can cause cracking (fig. 4).



2c. On the top and bottom of the recess(es) should be a facet of at least 1x1 mm be applied (with exception for Solid Surface) (fig. 5).

2. Manufacturing recesses (cut-outs)



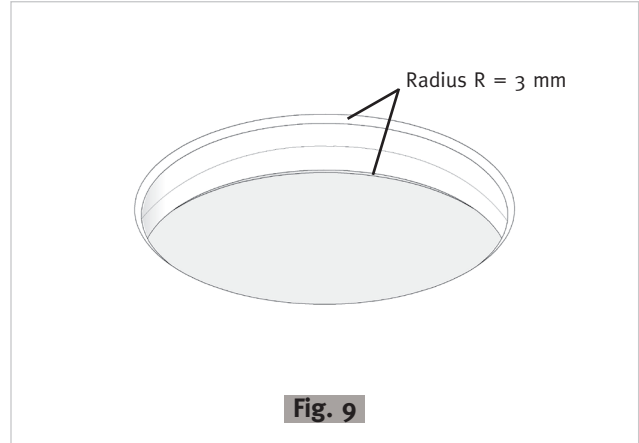
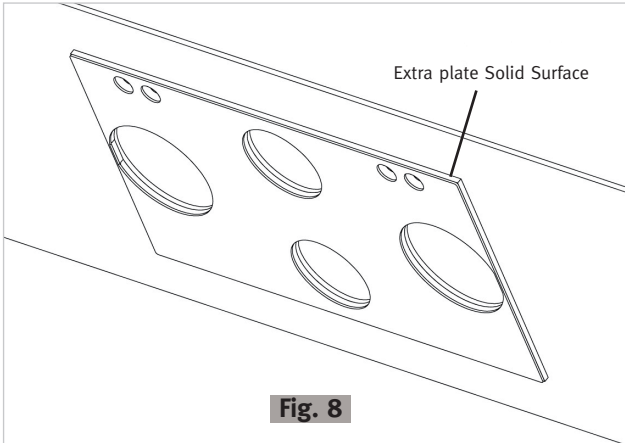
- 2H. Adhesive connections and/or interconnections should never intersect the recess(es). These should have a distance of at least 250 mm to the recess(es) (fig. 6 and 7).

2. Manufacturing recesses (cut-outs) | Solid Surface

⚠ The guidelines of the manufacturer of the Solid Surface material should always be strictly followed.

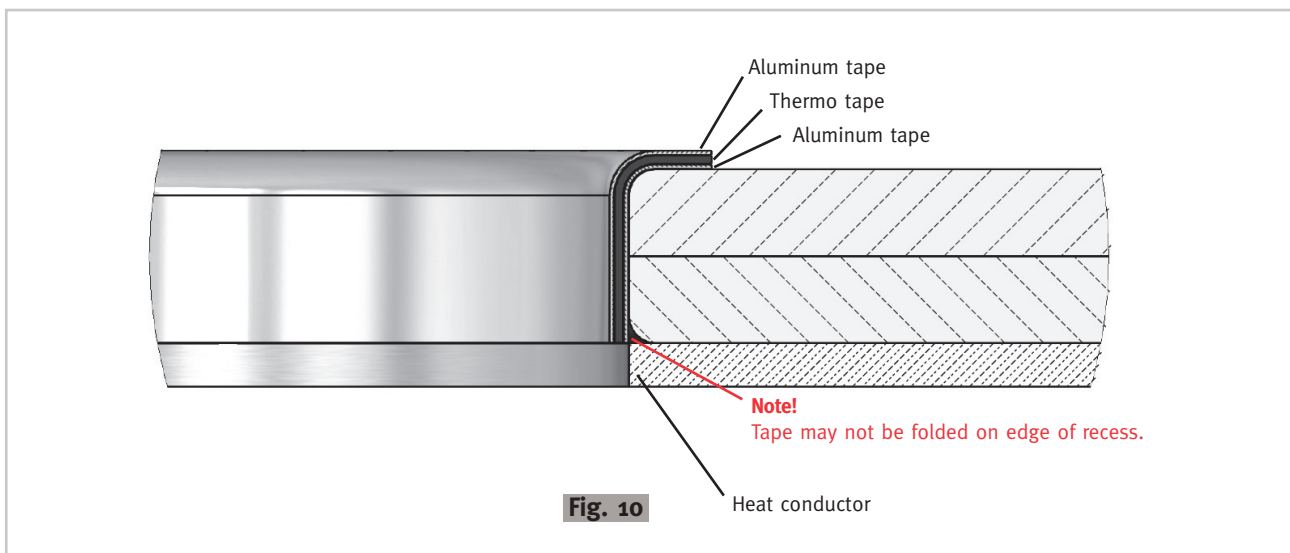
In case of Solid Surface the following extra instructions apply:

2d. Use a router or CNC machine to prevent jagged recesses.



2e. Glue an extra Solid Surface plate at the bottom of the worktop. This plate should have the same measurements as the PITT cooking heat conductor, and the same thickness as the worktop (fig. 8).

2f. A range of minimum $R=3$ mm should be applied on the top and bottom of the recess(es). By sanding it smooth afterwards, possible cracks can be prevented (fig. 9).

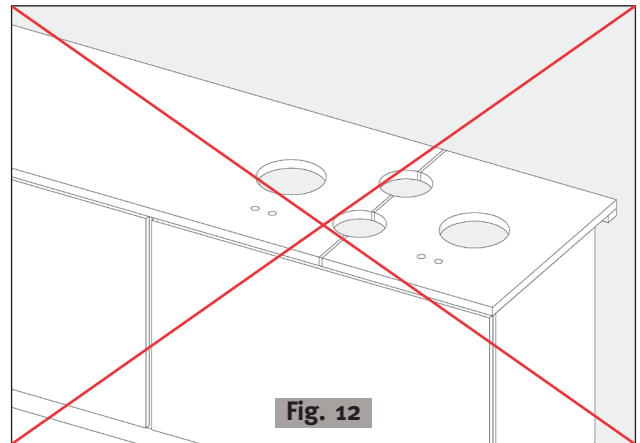
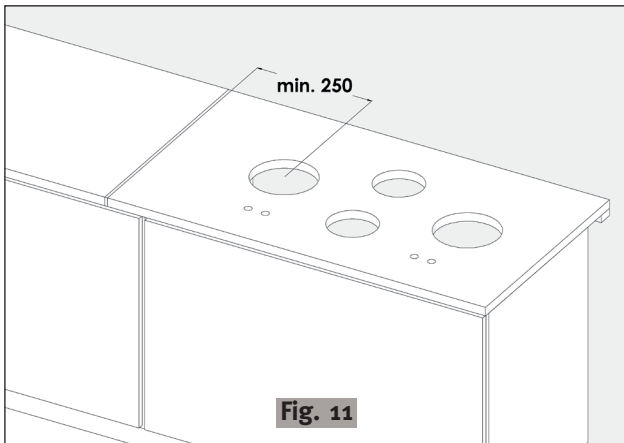


2g. Apply aluminium tape and thermo tape in the recess(es), in this order:
1) aluminum tape 2) thermo tape 3) aluminum tape (fig. 10).

The aluminum and thermo tape should be overlapping the top of the worktop surface with at least 5 mm. This seal will offer protection to the changes in temperature.

⚠ It is strictly necessary that this sealing does not stick out - this because the heat conductor should be able to connect 100% with the bottom of the worktop.

2. Manufacturing recesses (cut-outs) | Solid Surface



- 2H. Adhesive connections and/or interconnections should never intersect the recess(es). These should have a distance of at least 250 mm to the recess(es) (fig. 11 and 12).

3. Installation worktop



The guidelines of the kitchen manufacturer and/or the manufacturer of the kitchen worktop should always be strictly followed.

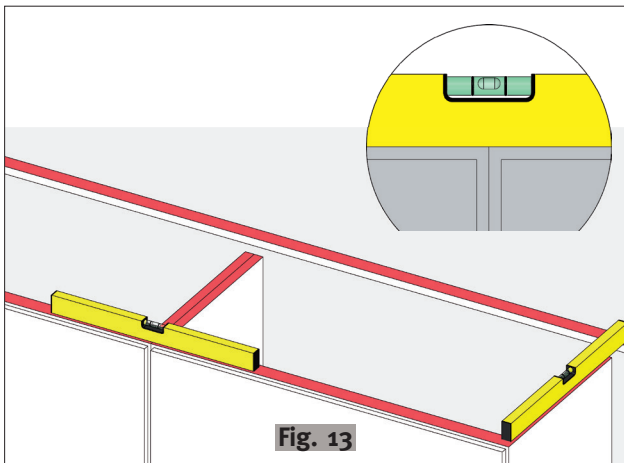


Fig. 13

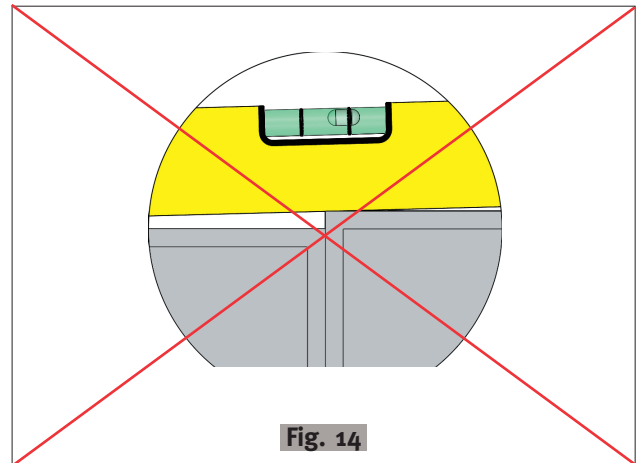


Fig. 14

- 3a. The cabinets should be placed perfectly levelled (fig. 13 and 14).
- 3b. In the case of bottom cabinets with a closed top, these should be the same size (+10 mm) as the PITT® cooking module. This is to bring the heat conductor in full contact with the core material.

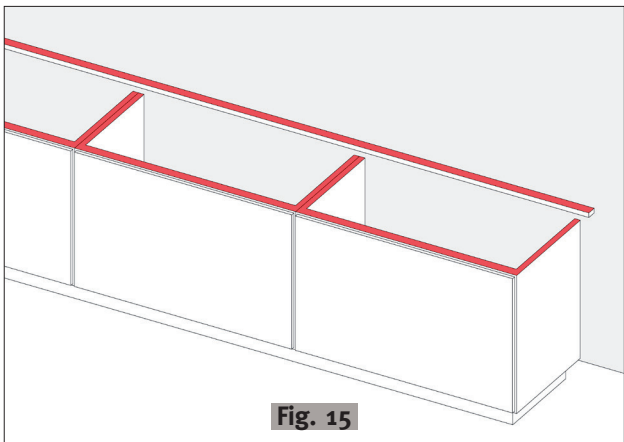


Fig. 15

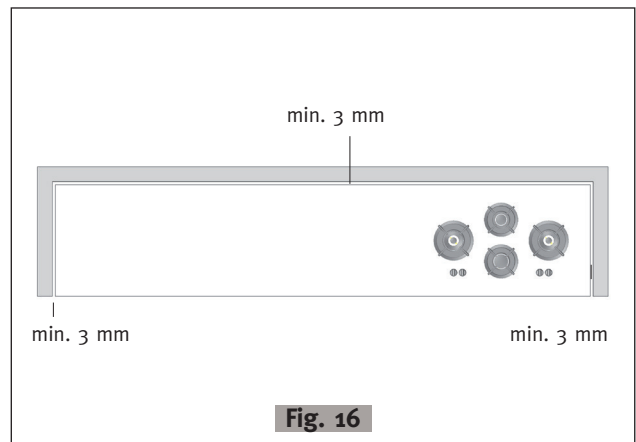


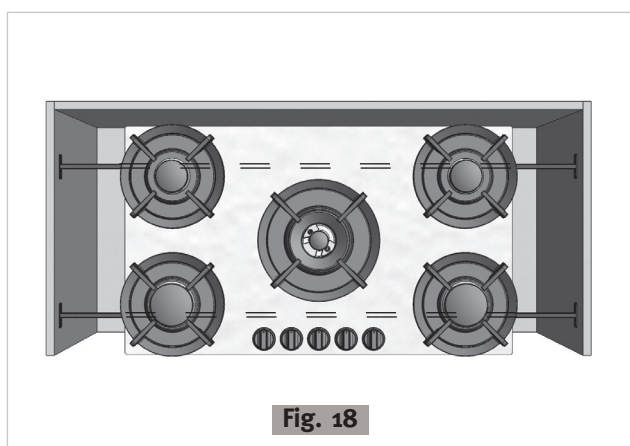
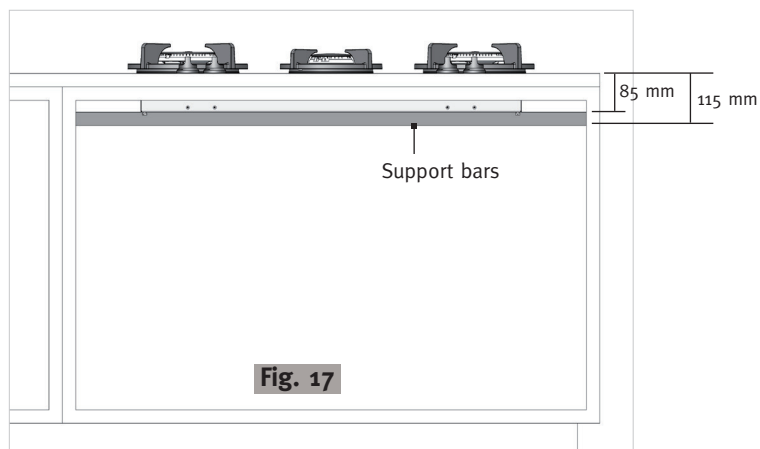
Fig. 16

- 3c. The worktop should have full support on the left, right, front and back side of the PITT cooking unit (fig. 15). This prevents tension in the worktop from the weight of the cooking unit.
- 3d. The distance between the kitchen worktop and the wall and/or cabinets should be at least 3 mm (fig. 16). This allows the material to expand.

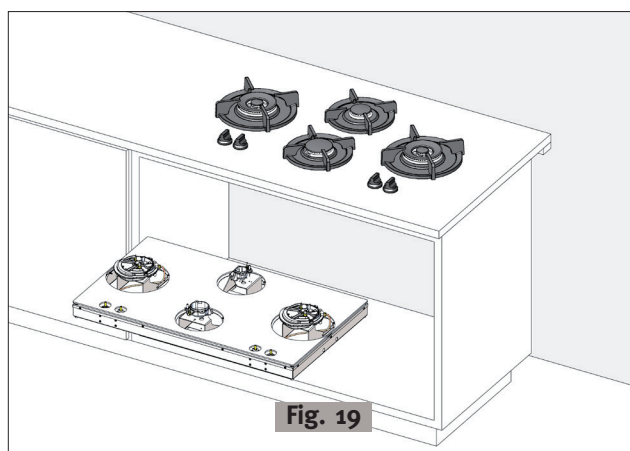
4. Installation PITT® cooking into worktop



Strictly follow the PITT® cooking installation instructions. The installation manual can be downloaded via www.pittcooking.com/downloads.



- 4a. The PITT® cooking module should always be fully supported with the PITT® cooking support set to prevent bending of the kitchen worktop (fig. 17 and 18).



- 4b. In case of service, the PITT® cooking module should **ALWAYS** be able to be disassembled without disassembling the cabinets and/or kitchen worktop (fig. 19).

In case of questions, please feel free to contact us via
info@pittcooking.com or by phone via +31(0)88 088 7070.

www.pittcooking.com