



**CAPITAL COOKING EQUIPMENT
MAESTRO 30" WALL OVEN
INSTALLATION INSTRUCTIONS**

**MODELS:
MWOV301ES. MWOV302ES**

SPECIAL MESSAGE TO CUSTOMERS

Dear Valued Customer,

Congratulations on making a smart choice! You have joined an elite group of cooking enthusiasts who demand only the very best from their appliances. A Capital Cooking appliance promises years of enjoyment and maximum pleasure, allowing cooks everywhere to create culinary memories that last a lifetime.

Because of the unique features found in our appliances, we urge you to read this manual thoroughly before installation and use. And please RETAIN THIS MANUAL FOR FUTURE REFERENCE; it is an invaluable guide to help you better understand your Capital Cooking appliance.

Since your satisfaction is our topmost priority, please feel free to contact our service experts. You may reach us toll free at (866) 402-4600, or dial the factory direct at (562) 903-1168. You can fax us a list of your concerns, comments, and/or compliments at (562) 903-1167, or drip us an e-mail at customerservice@capital-cooking.com. Feel free to also write us at:

13211 East Florence Ave.
Santa Fe Springs, CA 90670

Our products are proudly designed and manufactured in America and we trust that our strict adherence to the highest quality assurance standards will provide you with years of trouble free gourmet cooking.

Happy Cooking!

Capital Cooking Test Kitchen Specialists



TABLE OF CONTENTS

SPECIAL MESSAGE TO CUSTOMERS.....	2
TABLE OF CONTENTS.....	3
WARNINGS AND GENERAL SAFETY	4
MODELS:.....	6
PLANNING THE INSTALLATION	7
UNPACKING AND HANDLING	9
ELECTRICAL WIRING INSTALLATION:	9
INSTALLATION INTO CABINET	11
FINAL CHECK AND VERIFICATION	11
SERVICE INFORMATION.....	13
WARRANTY	14
NOTES:	15

WARNINGS AND GENERAL SAFETY

IMPORTANT:

At Installation:

The installer of this appliance must read this installation instruction completely prior to beginning the installation. These instructions are to be left with the owner for future reference.

After Installation:

These instructions are to be kept by the owner for the local electrical inspectors use and future reference.

WARNING! If the information in this manual is not followed exactly, fire or explosion may result, causing property damage, personal injury or death.

IMPORTANT: Installation and service must be performed by a qualified installer, service agency or the gas supplier.

IMPORTANT: Do not store or use combustible, flammable, or explosive vapors and liquids (such as gasoline) inside or in the vicinity of this or any other appliance. Also, keep items that could explode, such as aerosol cans, away from the oven. Do not store flammable or explosive materials in adjacent cabinets or areas.

WARNING

Do not install or use this product near water or outdoors, for example, near a kitchen sink, in a wet basement or near a swimming pool.

GENERAL SAFETY PRECAUTIONS:

To reduce the risk of fire, electric shock, serious injury or death when using your appliance, follow basic safety precautions, including the following:

1. Read the provided use and care manual before operating this appliance.
2. Keep packaging materials away from children. Plastic sheets and bags can cause suffocation.
3. If you receive a damaged product, immediately contact your dealer or builder. Do not install or use a damaged appliance. Do not install or use the appliance if the conduit is damaged.
4. This oven must be properly installed and grounded by a qualified installer according to these installation instructions prior to use. The installer must show the customer the location of the circuit breaker panel or fuse box so that they know where and how to turn off electric power to the oven. Capital Cooking Equipment is not responsible for service required to correct a faulty installation. The owner is responsible to make sure this appliance is properly installed.
5. To avoid electric shock hazard, do not install this appliance outside or near water. Do not install or use this appliance if it has been exposed to water.
6. To prevent damage, do not use the oven handles as lift points or for moving the oven.
7. Do not install, repair or replace any part of the oven unless specifically recommended in the literature accompanying it. All other service must be performed by a qualified service technician.
8. Electric power to the oven must be turned off at the circuit breaker or fuse box prior to perform any type of service or installation.
9. This oven is to be used only for cooking tasks expected of a home appliance. This oven is not intended for commercial use.
10. Do not climb or sit on any part of the appliance.
11. Do not leave children or pets alone or unattended in the area around the oven. Do not allow children to play with the controls, pull on the handle or touch other parts of the oven.
12. Do not store items of interest to children above the oven. Children can be burned or injured while climbing on the appliance.
13. Do not tamper with the controls. Do not adjust or alter any part of the oven unless specifically instructed to do so by this manual.
14. Secure the oven to the cabinet using the supplied mounting screws to prevent injury due to the unit tipping forward,

WARNINGS AND GENERAL SAFETY (continued)

15. Only use dry pot holders to prevent steam burns when moving items in or out of the oven.
16. Do not use water on grease fires. Smother any flames with a lid, cookie sheet, or flat tray. Use baking soda or a foam fire extinguisher to extinguish flaming grease.
17. Keep flammable items, such as paper, cardboard, plastic and cloth away from hot surfaces. Do not put such items in the oven. Do not allow pot holders to touch hot surfaces.
18. Do not wear loose or hanging apparel while using the oven. Do not allow clothing to come into contact with the interior of the oven and the surrounding areas during and immediately after use.
19. Do not use the oven for storage.
20. Do not touch the interior surfaces of the oven during use. After use, make sure these surfaces have had sufficient time to cool before touching them.
21. Do not touch outside surfaces of the oven during the self-clean cycle, which may become hot.
22. Do not line the oven with aluminum foil or other materials while cooking or cleaning.
23. Do not leave metal objects, such as aluminum foil, the meat probe, cookie sheets, etc., on the bottom of the oven. Objects left on the bottom of the oven could damage the oven.
24. Light lenses must always be in place when the oven is in use to protect the light bulbs from breakage.
25. Oven racks are to be positioned when the oven is cool to prevent burns. If racks require repositioning when the oven is in use, a dry pot holder is to be used.
26. Do not heat unopened food containers (baby food jars, and cans). Pressure can build up and may cause the container to burst and cause injury.
27. Do not store combustible, flammable, or explosive materials in the oven or in adjacent cabinets.
28. Use caution when opening the oven door to prevent burns from escaping hot air or steam. Opening the door slowly will allow hot air and steam to escape.
29. Use caution when adding liquids to food or containers in a hot oven. Steam can cause serious burns or scalding.
30. Never use the appliance for Warming or Heating the room.
31. Do not obstruct any venting areas or slots. The unit must be installed in manner which will keep the area below the door unobstructed to allow free air flow.
32. Only clean parts as listed in the Use and Care Manual.
33. Do not clean the oven door gaskets. The door gaskets are essential for a good seal of the oven. Care is to be taken during cleaning to prevent rubbing, damaging, or moving the gasket from its installed position.
34. Prior to self-cleaning the oven, remove broiler pans, pots, other utensils and wipe up excess spillage.

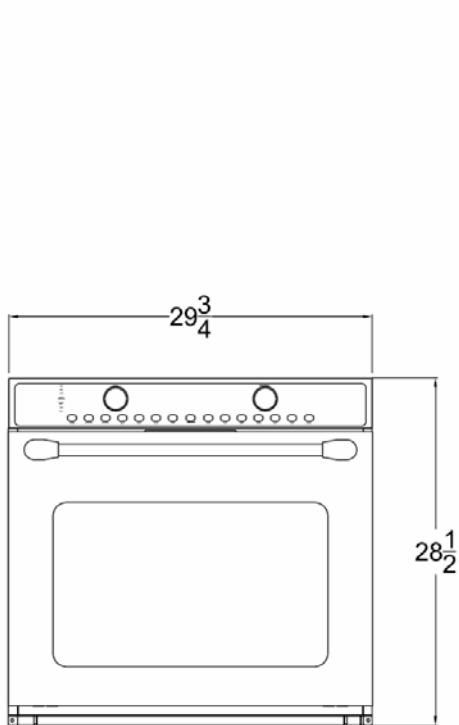
MODELS:

Model number:

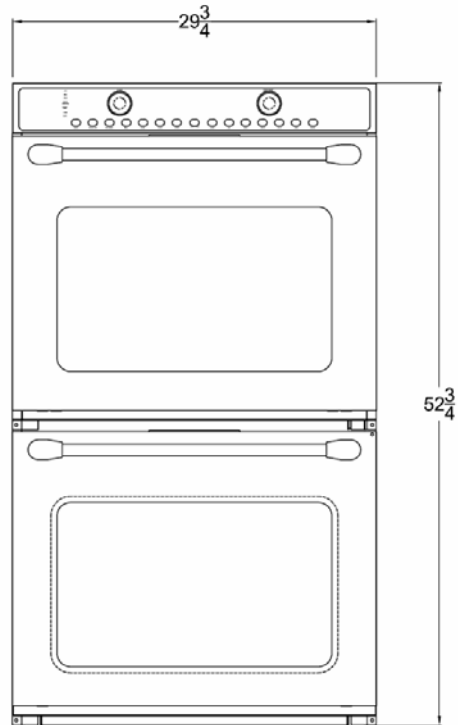
Maestro Series Single Oven: MWO301ES

Maestro Series Double Oven: MWO302ES

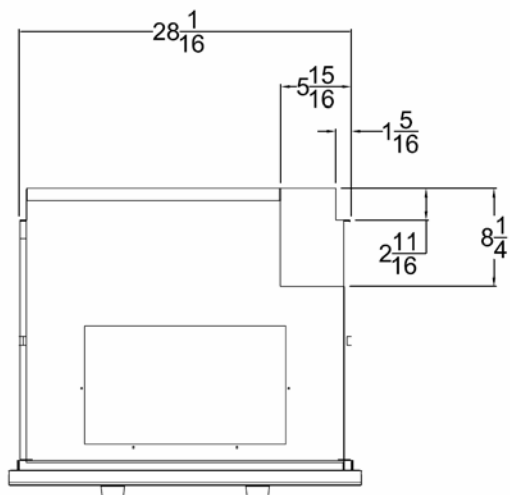
Product Dimensions:



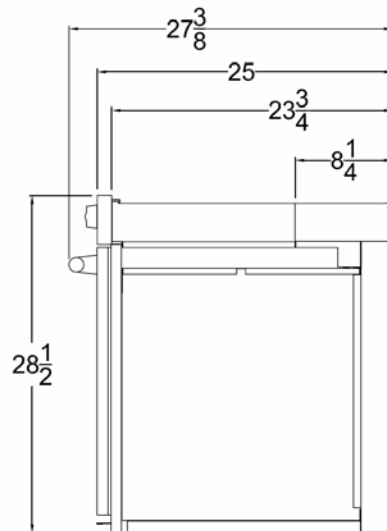
SINGLE FRONT VIEW



DOUBLE FRONT VIEW



OVEN TOP VIEW



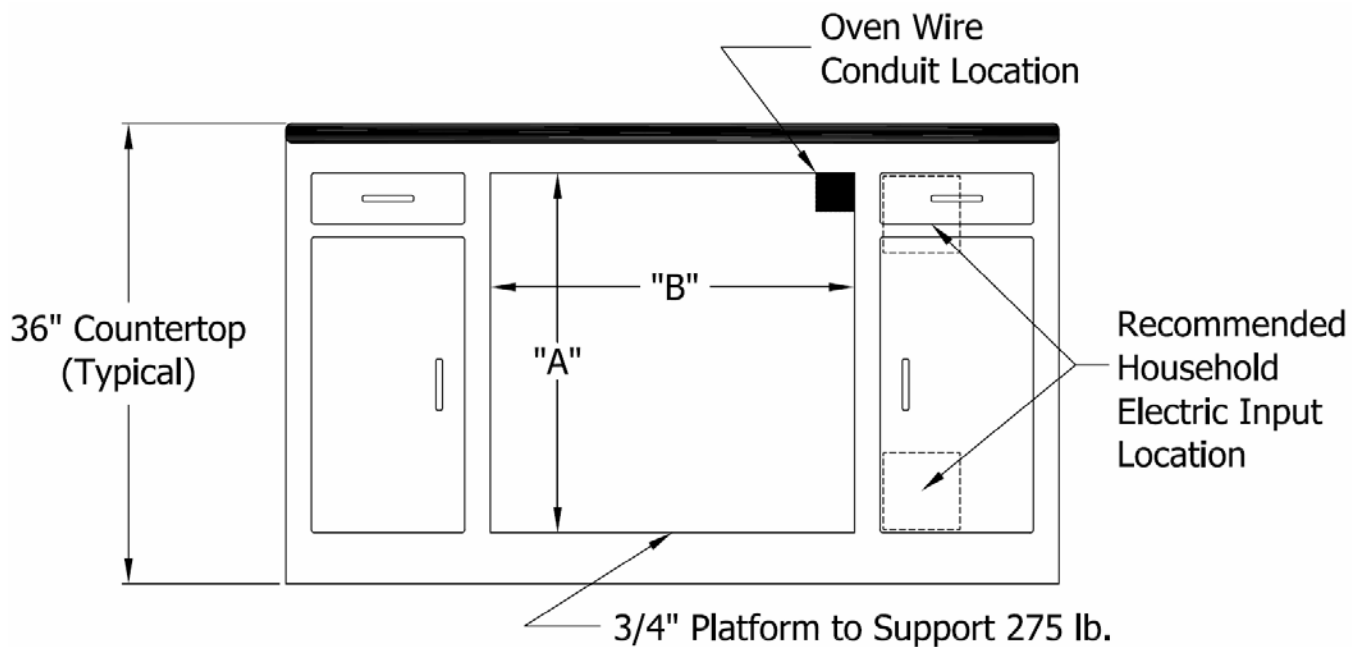
OVEN SIDE VIEW

PLANNING THE INSTALLATION

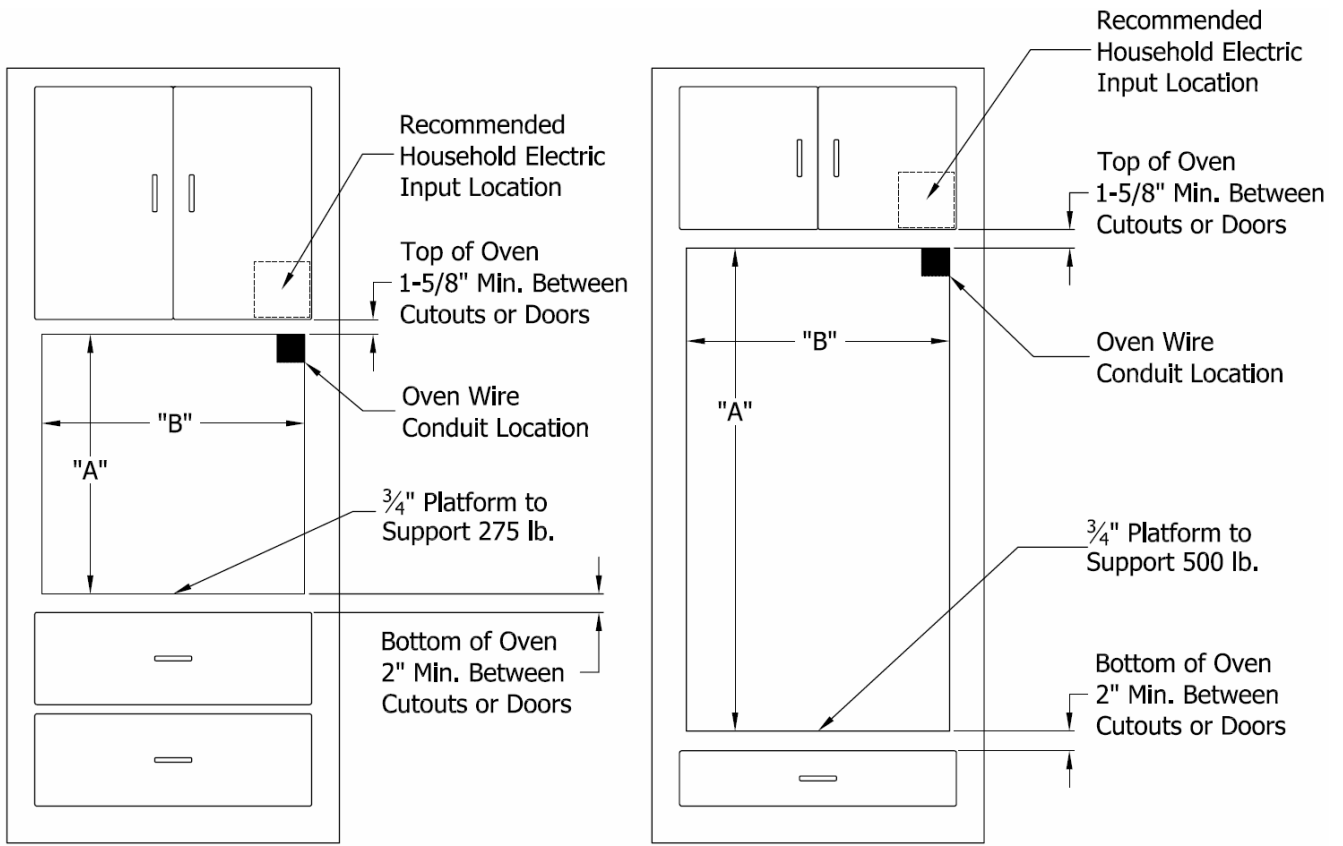
1. Plan the intended installation location by verifying that sufficient cabinet size and clearances are available.
2. Check that electrical power is available or can be established at the installation location and that all local codes can be met.
3. To provide the optimal operation of your appliance, the oven should be installed in a location that will minimize drafts created by doors, windows, ventilation outlets, etc.
4. Check traffic paths to verify sufficient clearances for the oven doors when open and be aware of interference with walkways.
5. If installing under a countertop, verify there is sufficient clearance to the front and/or sides of the oven to load and unload large cooking vessels.

Cabinet Cutout Diagrams:

IMPORTANT: The bottom platform of the cabinet must be constructed to support the weights as shown below:



SINGLE OVEN COUNTER INSTALLATION



SINGLE OVEN WALL CABINET

DOUBLE OVEN WALL CABINET

	SINGLE	DOUBLE
MODEL NUMBER	MWVOV301ES	MWVOV302ES
"A" DIMENSION	28 1/4"	52 1/2"
"B" DIMENSION	28 1/2"	28 1/2"
CABINET DEPTH	24"	24"
OVERALL WIDTH	29 7/8"	29 7/8"
OVERALL HEIGHT	28 9/16"	52 3/4"
OVERALL DEPTH TO CABINET FACE	23 3/4"	23 3/4"
OVERALL DEPTH TO DOOR FRONT	25"	25"
PLATFORM SUPPORT WEIGHT	275 lb.	500 lb.
Note: Cabinets must be manufactured to support the listed shipping weight of the product.		

Dimension Summary Table

UNPACKING AND HANDLING

1. Move the oven as close to the point of installation as possible prior to removing packing materials to prevent damage.
2. Remove all packing materials from inside the oven and any protective plastic on the outside of the oven.
3. Read and retain all instructions before installation and use and after installation as a reference.
4. The units are heavy. Plan sufficient manpower and use caution when lifting the unit.

ELECTRICAL WIRING INSTALLATION:

WARNING:

1. All wiring must comply with all local ordinances and building codes.
2. Electrical services at the installation must meet or exceed those specified for the appliance. Do not proceed with the installation until the specifications are met. Call a licensed electrician, if required, to meet the necessary requirements.
3. To prevent electric shock or fire hazard, turn off power at the circuit breaker or fuse box prior to connecting the oven.
4. Improper connection of the electrical wiring can cause an electric shock hazard and damage the appliance. Capital Cooking Equipment is not responsible for damages resulting from improper installation.
5. The ground wire of the oven must be connected to a grounded metallic, permanent wiring system or grounding conductor.
6. Do not use an extension cord with this appliance. Fire, electric shock or other personal injury or damage may occur as a result.
7. Do not install a fuse in the neutral or ground circuit. A fuse in the neutral or ground circuit may result in an electric shock hazard.
8. Use copper wire only when connecting the oven to the circuit breaker or fuse.
9. Flexible armored or non-metallic, sheathed copper cable (with grounding wire) should be used to connect the appliance to the circuit breaker or junction box. A UL listed connector must be used if directly connecting the wiring to the junction box.

IMPORTANT: Prior to installation and preparation of the wiring, power to the planned oven electrical circuit must be turned off at the breaker or fuse box.

STANDARD WIRING (FOUR WIRE CONNECTION)

1. Each wire must be individually connected to the household supply wire.
2. Connect the Green appliance ground wire to the Green household ground wire from the junction box.
3. Connect the appliance Black L1 wire to the household Black L1 wire from the junction box.
4. Connect the appliance White Neutral wire to the household White neutral wire from the junction box.
5. Connect the appliance Red L2 wire to the household Red L2 wire from the junction box.

DEVIATIONS FROM STANDARD WIRING (MUST COMPLY WITH LOCAL CODES):

1. Three Wire Connection – Must be permitted by local codes
 - a. Each wire must be individually connected to the household supply wire.
 - b. Connect the appliance Black L1 wire to the household Black L1 wire from the junction box.
 - c. Connect the appliance White Neutral wire and the Green appliance wire to the household White neutral wire from the junction box.

ELECTRICAL WIRING INSTALLATION (continued)

- d. Connect the appliance Red L2 wire to the household Red L2 wire from the junction box.
2. Three Wire Connection with External Ground – Must be permitted by local codes
 - a. Each wire must be individually connected to the household supply wire.
 - b. Connect the appliance Black L1 wire to the household Black L1 wire from the junction box.
 - c. Connect the appliance White Neutral wire to the household White neutral wire from the junction box.
 - d. Connect the appliance Red L2 wire to the household Red L2 wire from the junction box.
 - e. Connect the Green appliance ground wire to an approved external ground source, such as a cold water pipe. (All ground sources must be approved by local codes).

WARNING:

- An external ground may only be used if local codes permit.
- Ground sources must be approved by local codes.
- Do not connect the ground wire to a gas or hot water pipe.
- Use a separate copper wire when installing with an external ground.
- A clamp type connector with an external grounding screw is to be used with a minimum No. 10 copper wire when utilizing an external ground.
- The approved ground source must have continuity to electrical ground and cannot be interrupted by insulating materials.
- If an interruption or insulating material is in line of the ground source it must be jumpered with a 4 gauge minimum wire.

Electrical Requirements:

Model:	MWOV301ES	MWOV302ES
Type:	Single Oven	Double Oven
Voltage:	240 VAC	240 VAC
Frequency:	60 Hz, Single Phase	60 Hz, Single Phase
Total Connected Load:	21.3 Amp	39.1 Amp
Circuit Breaker Req.:	30 Amp (Dedicated)	40 Amp (Dedicated)
Wire Connection:	4 Wire	4 Wire

Electrical Requirement Summary Table

INSTALLATION INTO CABINET

WARNING: The oven is very heavy. Utilize sufficient manpower to lift the oven into the required opening to prevent injury. A minimum of two persons is recommended.

IMPORTANT: The door(s) must be removed prior to installation in the cabinet. This will prevent damage to the doors and reduce the weight of the oven for installation.

1. Verify that all cabinet and electrical preparations have been completed and meet the requirements of these instructions.
2. Verify that electrical power to the oven breaker is turned off at the breaker.
3. Verify that the length of electrical conduit provided from the junction box is sufficient to allow connection to the oven prior to placing the oven in the cabinet.
4. Remove the oven doors.
 - a. To remove the oven doors, bring the doors to the full open position and locate the stops on each hinge at the bottom of the door.
 - b. Rotate the hinge stops forward until they each stop.
 - c. Close the door to approximately 20 degrees from vertical. There will be resistance which prevents unforced movement beyond this point.
 - d. Firmly grasp the door on both sides without using the handle and lift the door up then out.
 - e. Carefully store the door until the oven is installed.
5. Lift the oven into the cabinet opening.
6. Prior to sliding the oven into the cabinet, verify that the electrical wire is connected and that the conduit and wires are not pinched when sliding the oven into the cavity.
7. Slide the oven into the cabinet cutout so and check the level. Shim the bottom if required to prevent uneven cakes and cooking.
8. Locate the mounting holes on the oven side trims. A single oven has four (4) holes located on the front face and four (4) on the inside trim surfaces. Use a minimum of four (4) fasteners for a single oven. A double oven has eight (8) holes located on the front face and eight (8) on the inside trim surfaces. Use a minimum of eight (8) fasteners for a double oven.
9. Secure the oven to the cabinet cutout using screws that will match cabinet finish (not supplied).
10. Install the oven doors.
 - a. Do not attempt to move the hinge stops prior to installing the doors on the oven.
 - b. Holding the door by the sides, lift the door into position and insert the hinge legs into the left and right receptacle on the oven.
 - c. Press the bottom of the door exterior outside the hinges to seat the hinges fully into the oven hinge receptacles.
 - d. Open the door fully and rotate the hinge stops towards the oven front until they stop flush with the body of the hinge arm
 - e. Close the oven door. If the door does not close completely or is uneven from left to right, reopen the door, rotate the hinge stops out to the locked position again and repeat step 10c thru 10d.

FINAL CHECK AND VERIFICATION

1. After the oven has been installed into the cabinet check the following prior to first use:
2. Verify that all tapes, plastics, cardboard, and paper packing materials and instructions have been removed from the oven.
3. Check the area under the door to verify there is no obstruction for air flow by the cabinet or other materials.
4. Familiarize yourself with the operation of the roller racks and rotisserie rod and how they are inserted and removed from the oven.
5. Turn the circuit breaker for the oven on and verify the control is illuminated.
6. Following the instructions in the Use and Care manual, set the clock and verify the oven will heat.
7. If the clock does not display, check the circuit breaker and wiring.

INSTALLATION CHECKLIST

- All packaging materials have been removed from oven and oven surfaces.
- External wiring and breakers or fuses meets local codes and requirements of these installation instructions and is of sufficient length to allow servicing of the oven.
- Cabinet cutouts and platform support capacity have met the requirements of these installation instructions.
- Make oven electrical connections carefully following instructions and local codes.
- Install oven into cabinet.
- Level and secure oven into the cabinet per the instructions.
- Properly install oven doors and verify they open and close correctly with no interference.
- Turn dedicated breaker or fuse on.
- Check function of oven.
- Set clock and familiarize users with normal oven operation.
- If any problems occur during installation, reference TROUBLESHOOTING section of Use and Care Manual prior to calling Capital Cooking service.
- Fill out and return all warranty information.
- Store these instructions and the Use and Care Manual in a convenient location for future reference.

SERVICE INFORMATION

Before contacting customer service:

- Verify that the circuit breaker has tripped or the fuse has been blown.
- Is there a power outage in the local area?

If none of the above has occurred, contact our customer service department at (866) 402-4600.

Before you call for service, please have the following information available:

- Model Number
- Serial Number
- Date of Installation
- Copy of Receipt or Invoice
- A brief description of the problem

Your satisfaction is our top priority. If the problem persists or is not resolved to your satisfaction by our service consultant, please write to us or fax us a letter at:

Capital Cooking Equipment, Inc.

Attn: Customer Service Manager
13211 Florence Ave.
Santa Fe Springs, CA 92670
USA

Fax Number: (562) 903-1167

Email: customerservice@capital-cooking.com

WARRANTY

- One (1) year full parts and labor, covers the entire unit.

WILL PAY FOR:

All repair labor and parts found to be defective due to material or workmanship for on (1) full year (from date of purchase) "in home" WARRANTY. This does not apply if the unit was subjected to other than normal household use. An Authorized Factory Agency must provide Service during normal working hours. No charges will be made for repair or replacement at the location of original installation or factory for parts returned pre-paid, through the dealer and claimed within the warranty period, and found to be defective by Capital Cooking. Call claims, regardless of warranty or non-warranty must be documented with photos and detailed description and/or narrative of the problem.

This warranty shall not apply, nor can we assume responsibility for damage that might result from failure to follow manufacturer's instructions or local codes where the appliance has been tempered with or altered in any way or which, in our judgment, has been subjected to misuse, negligence, or accident. Implied warranty shall not extend beyond the duration of this written warranty. This warranty is in lieu of all warranties, expressed or implied and all other obligations or liability in connection with the sale of this product.

WILL NOT PAY FOR:

- Installation or start-up
- Shipping damage
- Service by an unauthorized agency
- Use of unauthorized parts
- Service during hours other than normal working hours
- Improper installation
- Service visit to teach you how to operate the appliance, correct the installation, reset circuit breakers or replace fuses.
- Repair other than normal household use
- Damage caused by accident, abuse, alteration, misuse, incorrect installation or installation not in accordance with local codes
- Unit installed in non-residential applications

This warranty applies to appliances used in residential application only. It does not cover their use in commercial situations. This warranty is for products purchased and retained in the 50 States of the U.S.A., the District of Columbia and Canada. This warranty applies even if you should move during the warranty period. Should the original purchaser sell the appliance during the warranty period, the new owner continues to be protected until the expiration date of the original purchaser's warranty period.

NOTES:

THESE SPECIFICATIONS ARE FOR PLANNING PURPOSES ONLY.

CONSULT WITH AN AUTHORIZED TECHNICIAN FOR YOUR SPECIFIC INSTALLATION DETAIL REQUIREMENTS. FOR THE MOST UP TO DATE INFORMATION, CONTACT CAPITAL COOKING EQUIPMENT, INC. INDICATING THE MODEL NUMBER.

WE RESERVE THE RIGHT TO CHANGE THESE SPECIFICATIONS OR DESIGN WITHOUT NOTICE.



THE POWER OF PERFORMANCE™

Capital Cooking Equipment, Inc.

13211 E. Florence Ave.
Santa Fe Springs, CA 90670 USA
866.402.4600 Toll Free
562.903.1167 Fax

MADE IN USA

www.capital-cooking.com

Part #: 87094-02