

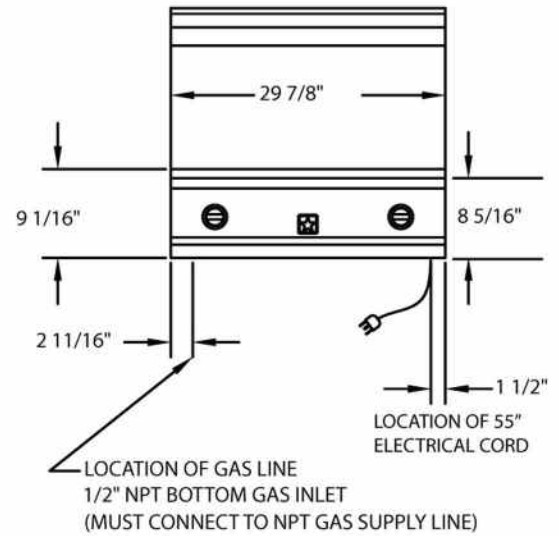
BlueStar® makes the finest residential indoor charbroiler available. With 30,000 BTUs of power and adjustable grate positioning for variable temperature cooking, our Indoor Charbroiler is an unsurpassed addition to every cook's favorite room in the house.

PRODUCT FEATURES

- Heavy-duty, commercial stainless steel construction
- Stainless steel commercial U-burners
- Push-to-turn burner controls
- Two, powerful 15,000 BTU burners
- Adjustable grate positioning for variable temperature cooking
- Cast iron, easy clean grates
- Removable, dishwasher-friendly drip trays

SPECIFICATIONS

Cooktop Dimensions: 29.875"W x 24"D x 9.75"H
Charbroiler Rating: 30,000 BTUs
Electrical Requirements: 120V, 60Hz, 15 AMPs, 1 PH
 (Unit must be on a Non-GFI, dedicated outlet)
Operating Gas Pressure: NAT: 5.0" WC, LP: 10.0" WC
Gas Line Size: 1/2"
Installation Clearance: 0" Side Cabinet, 0" Back Wall

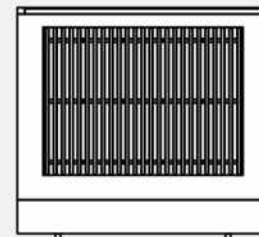


MODEL CONFIGURATION

30" Charbroiler

PRZIDCB30

BURNER CONFIGURATION



30K

ADDITIONAL CUSTOMIZATION OPTIONS

- Backguards
- Knob colors

*All specifications subject to change without notice.
 Contact BlueStar Customer Service at (800) 449 - 8691
 prior to installation or site preparation.*