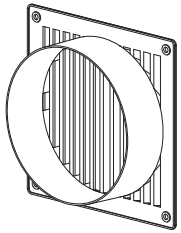


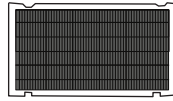
THIS KIT INCLUDES:



(1) return air vent



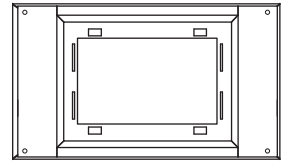
(4) return air vent screws



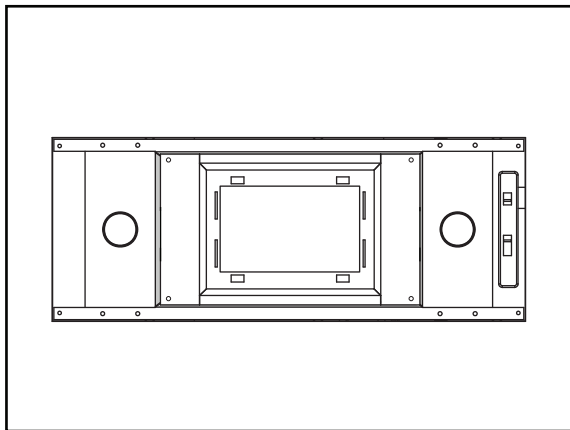
(1) charcoal filter



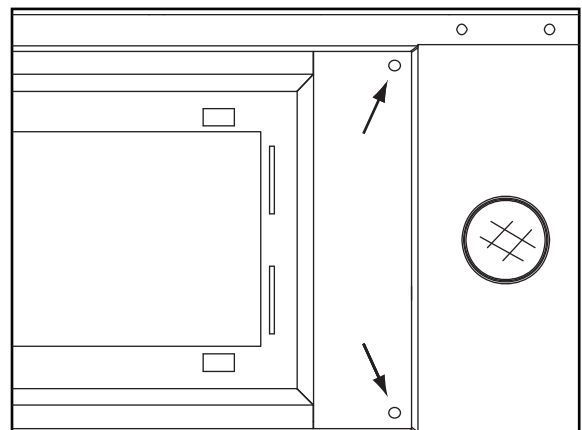
(4) bracket screws



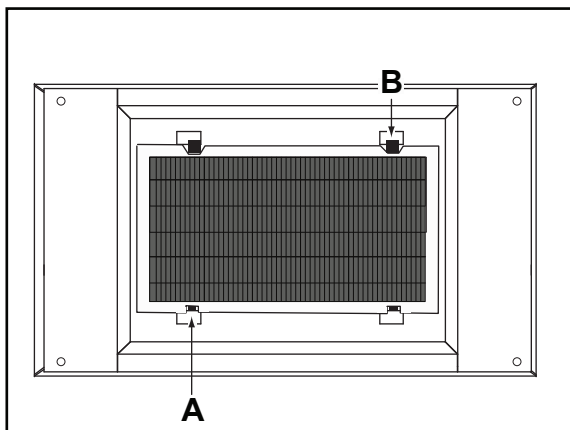
(1) charcoal filter bracket.



1. Position and install charcoal filter bracket into AK8000AS as shown above.



2. Secure filter bracket to AK8000AS body by installing a bracket screw into each of the (4) corners.



3. Install charcoal filter (plastic side up) into filter bracket. Insert tab cut-out side **A** of charcoal filter into bracket first. Lock charcoal filter into place by pushing down on side **B** with locking tabs.

Turn to next page for instructions on installing return air vent.

To install the return air vent to top of the cabinet:

(for installations where cabinet does not extend to the ceiling)

1. Cut a 6-1/2" round opening in top of the cabinet where the ducting will connect to the return air vent. **FIG.1**
2. Connect 6" round ducting from AK8000AS to return air vent collar. Return air vent collar will go around the ducting. Secure with duct tape.
3. Secure return air vent to top of cabinet with (4) screws.

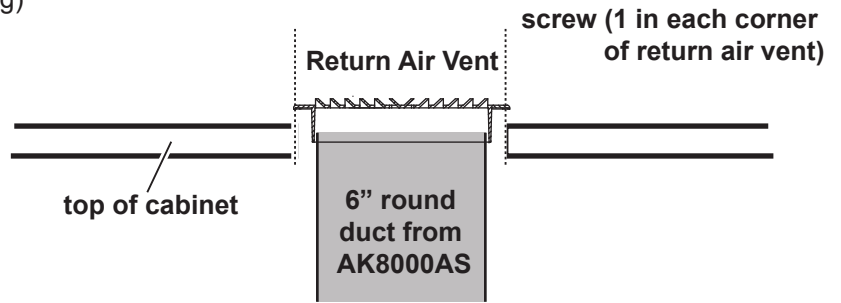


FIG.1

To install the return air vent to a soffit or ceiling:

(for installations where top of cabinet is flush with the ceiling)

1. Cut a 6-1/2" round opening in soffit or ceiling where the ducting will connect to the return air vent. **FIG.2**
2. Connect 6" round ducting from AK8000AS to return air vent collar. Return air vent collar will go around the ducting. Secure with duct tape.
3. Secure return air vent to soffit or ceiling with (4) screws.

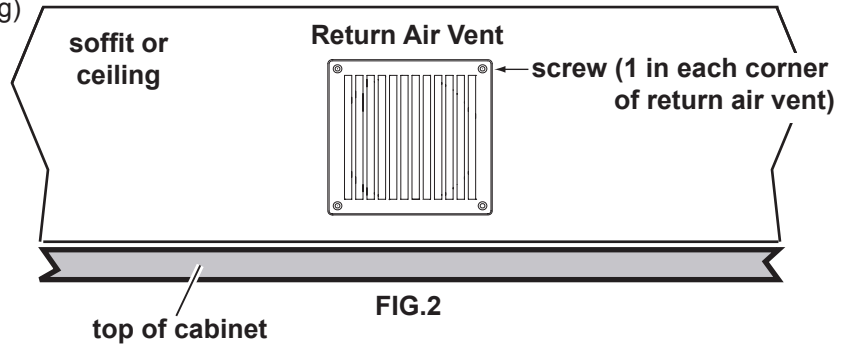


FIG.2

note: Return air vent deflectors should face the sides to properly vent the air. **FIG.4**

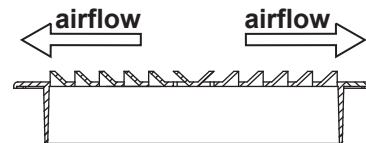


FIG.3