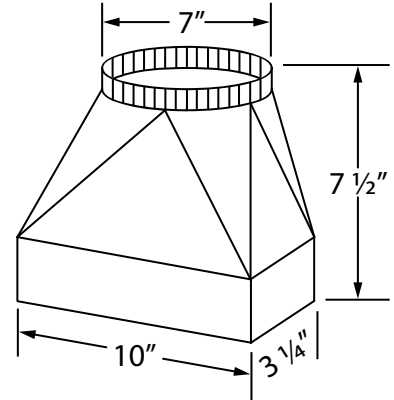
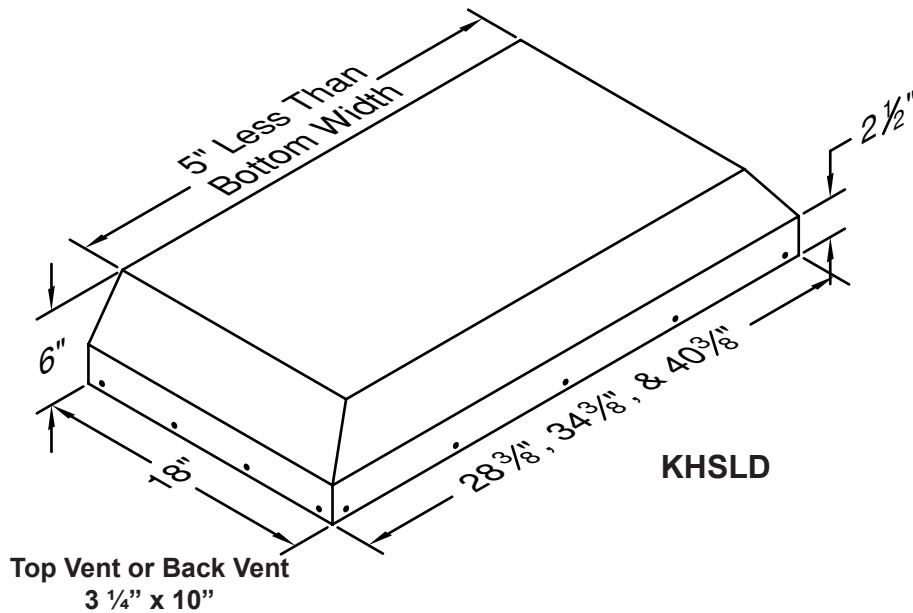


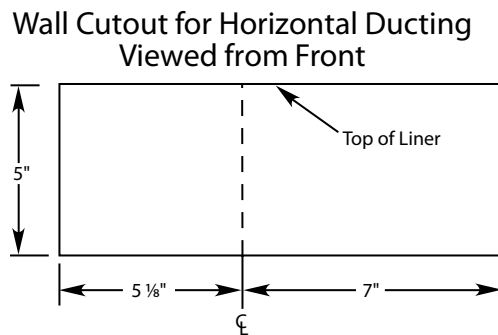
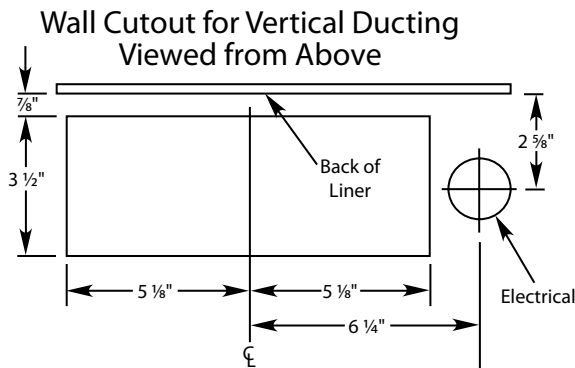
# Vent Hood® WALL MOUNT LINER INSERT SPECIFICATIONS

**KHSLD LINER** Equipped with halogen lighting. Not available with heat lamps. Available in Black, Biscuit, Gunsmoke Gray, Stainless Steel, or White.

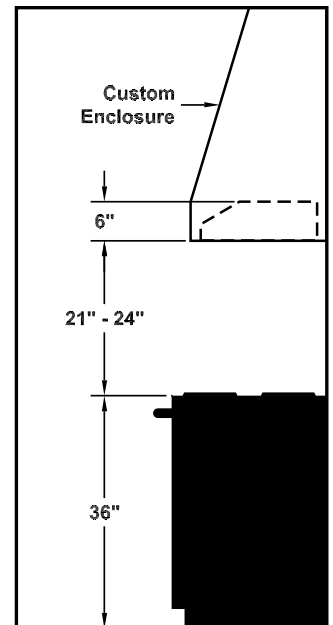
The VP521 transition is available for top vent applications at an additional charge.



## Connection Diagrams (28 3/8", 34 3/8", & 40 3/8" Widths)



## Recommended Mounting Height\*



\*Recommended mounting height is for optimum performance.

## Electrical/Mechanical Specifications For Blower Units

Model	Volts	Amps	Hz	RPM	CFM SP@0.0"	Equivalent CFM*	CFM SP@0.1"	CFM SP@0.2"	CFM SP@0.3"	Minimum Round Duct Size	Sones#
K250 (Top Vent)	115	3.5	60	1550	250	375	223	220	190	7" (38 in. <sup>2</sup> )	7.4
K250 (Back Vent)	115	3.5	60	1550	220	330	215	195	180	7" (38 in. <sup>2</sup> )	7.4

Equipped with two halogen lights.  
 \* Because the Power Lung® blower uses centrifugal filtration rather than conventional baffle or mesh filters, the Power Lung® blower can handle cooking equipment with higher cubic feet per minute (CFM) requirements and can deliver equivalent CFM much more efficiently than other filtration systems. When comparing the Power Lung® with other blower units made by other manufacturers, use the "Equivalent CFM".  
 # Ratings in accordance with the Standard Test Code by the Energy Systems Laboratory of the Texas Engineering Experiment Station.