

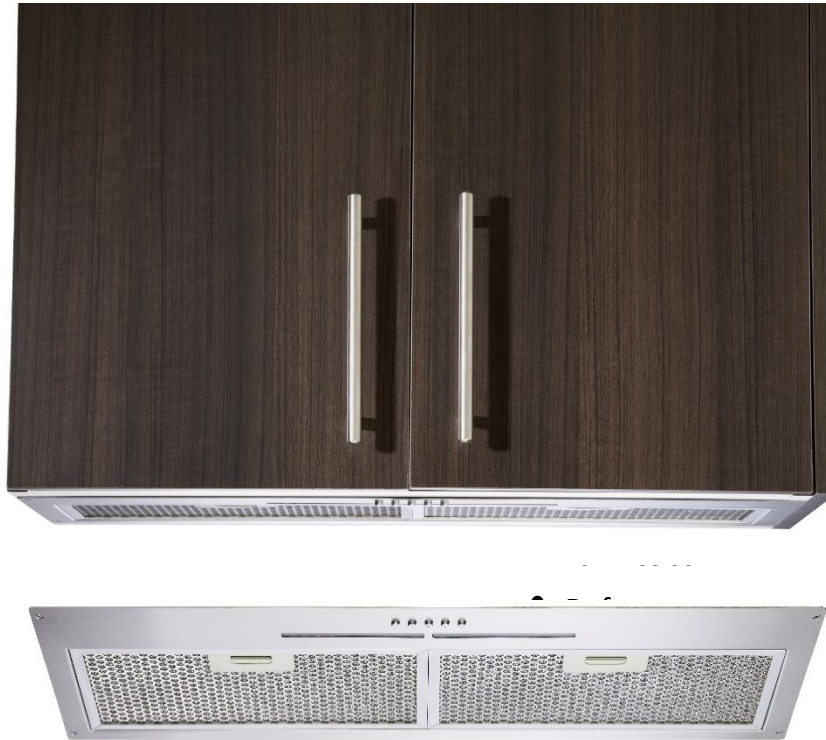
INSERT 30

30" BUILT-IN RANGE HOOD

Porter & Charles

INSERT 30

30" Built-in Range Hood



RANGE HOOD FEATURES

- 30" (76cm) stainless steel built-in range hood
- LED lighting
- 3 speed adjustment
- 2 x dishwasher safe honey comb filter
- Electronic push buttons
- Quiet (7 sones/56dB) 300 CFM motor

ELECTRICAL REQUIREMENTS

- 115 Volt, 60Hz, 15AMP
- AEG Range Hoods are supplied with a Canadian cord and plug

RANGE HOOD DIMENSIONS

- D: 11^{3/8}" x W: 30"
- D: 289mm x W: 762mm

CUT-OUT DIMENSIONS

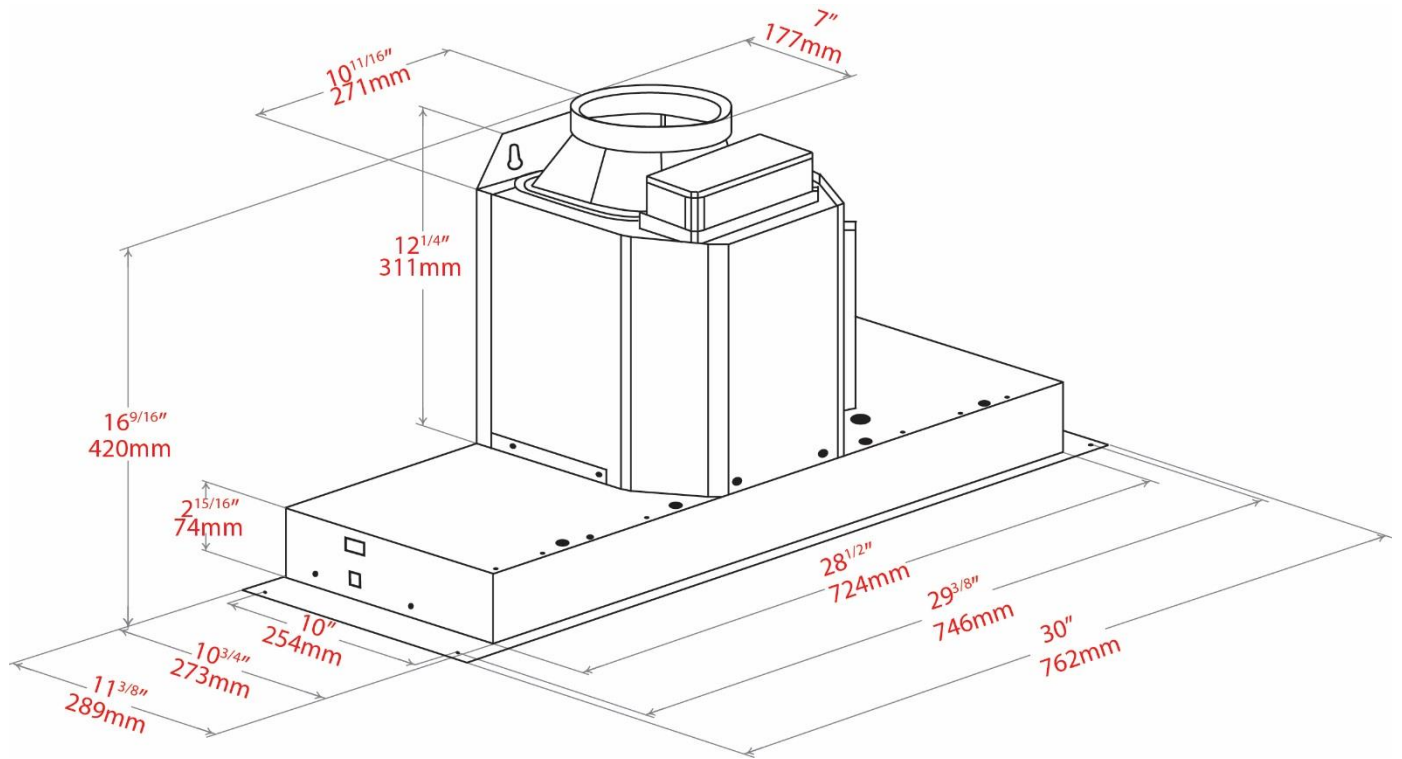
- D: 10^{3/4}" x W: 28^{3/4}"
- D: 273mm x W: 730mm

DUCT SIZE

- 7" Duct Size
- 6" Duct Adapter Included

Specifications

INSERT 30



Porter & Charles appliances are designed and manufactured to the highest standards.
Each appliance is covered by a comprehensive 2 year parts and labour warranty.

www.porterandcharles.com

Refer to product warranty policy for complete terms and conditions.

FOR PARTS & SERVICE

Euro-Parts & Service
39822 Belgrave Road
Belgrave, ON N0G 1E0
1-800-678-8352 (CANADA)
1-800-561-4614 (USA)
www.euro-parts.ca
parts@euro-parts.ca
service@euro-parts.ca

Porter & Charles appliances are imported & distributed in North America by Euro-Line Appliances Inc.

For more information please visit one of our showrooms or

www.euro-line-appliances.com / www.elawest.com

EURO-LINE APPLIANCES INC.

871 Cranberry Court
Oakville, ON L6L 6J7
905-829-3980
1-800-421-6332
marketing@euro-line-appliances.com

EURO-LINE APPLIANCES WEST INC.

2912 West 4th Avenue
Vancouver, BC V6K 1R2
604-235-3980
1-855-ELA-WEST
info@elawest.com