

LIEBHERR

Design Guide

Wine

Release 05 2018



Liebherr's engineering excellence in Germany provides the largest selection of freezers, refrigerators and wine refrigerators worldwide.

Liebherr is one of the World's leading Manufacturers of Premium Refrigeration. For more than 60 years, Liebherr has specialized in developing and manufacturing first class refrigerators and freezers as well as wine cabinets. We focus on performance and efficiency as well as keeping food fresher longer. Produced in Austria and Germany, Liebherr has a full line of premium models tailored specifically for the North American marketplace to fit any design vision you have for your kitchen.

Our freestanding stainless models are sleek centerpieces that make a definite statement. Our built-in models are perfect for designs that call for units that slide into cabinet surrounds. And our fully-integrated models become one with your kitchen design, hidden seamlessly behind your custom cabinetry.

High quality materials, perfectly detailed finishes, precise electronic control systems, elite cooling components, variable speed compressors and the latest production processes ensure energy efficiency and performance for years to come. Our superior products offer premium quality, cutting edge design and innovative features that fit with your busy lifestyle.

Liebherr's Commitment to the Environment

The components of Liebherr products can be recycled when the necessary resources are available. A concern for the environment and a desire to protect resources has led to increased levels of recycling year after year. When Liebherr manufactures products, it is essential that the recyclable recovery rate of the materials we use constantly increases.

Recycling is a common goal among all manufacturers, municipalities and recycling companies to protect our environment. Protecting the environment and producing products which have a low impact on the environment, is one of Liebherr's core values. When the time comes, please attempt to dispose of your old appliances in an environmentally safe and friendly manner.

Introduction

LIEBHERR WARRANTY PLAN

FULL TWO YEAR WARRANTY

For two years from the date of original purchase, your Liebherr warranty covers all parts and labor to repair or replace any part of the product which proves to be defective in materials or workmanship.

FULL FIVE YEAR WARRANTY

For five years from the date of original purchase, your Liebherr warranty covers all parts and labor to repair or replace any components that prove to be defective in materials or workmanship in the sealed system. The "Sealed System" means only the compressor, condenser, evaporator, drier and all connecting tubing.

LIMITED 6TH THROUGH 12TH YEAR WARRANTY

From the 6th through 12th year from the date of original purchase, your Liebherr warranty covers all parts that prove to be defective in materials or workmanship in the Sealed System (parts only).

For Service in the U.S.

Liebherr Service Center

Toll Free: **1-866-LIEBHER**
1-866-543-2437

Email: Service-appliances.us@liebherr.com

PlusOne Solutions, Inc.

3501 Quadrangle Blvd, Suite 120
Orlando, FL 32817

For Service in Canada

Liebherr Service Center

Toll Free: **1-888-LIEBHER**
1-888-543-2437

www.euro-parts.ca

EURO-PARTS CANADA

39822 Belgrave Road
Belgrave, Ontario, N0G 1E0
Phone: (519) 357-3320
Fax: (519) 357-1326

For Installation Questions

Install.Americas@liebherr.com

Content

DesignGuide

Safety Warnings	7
Electrical Requirements & Safety	8
Area Requirements	9
Safety Regulations	9
Specifications	10
WU 3400	10
WUgb 3400	10
WU 4500	10
HWS 1800	11
HWgb 1803 (black glass front)	11
HWgw 1803 (white glass front)	11
HW gb(w) 3300	12
HW gb(w) 5100	12
HW gb(w) 8300	13
HW 3000	14
HW 4800	14
HW 8000	15
WS 17800	16
Undercounter Wine Cabinet WU 3400 / WU 4500 / WUgb 3400	17
Cabinet Dimensions	17
Appliance Dimensions	18
Ventilation requirements	19
Dimensions of Appliance Door	19
Built in Wine Cabinet HWS 1800	20
Appliance Dimensions	20
Cabinet Dimensions	21
Cabinet Dimensions - Flush Face Installation	21
Appliance Venting	21
Cabinet Dimension - Accessory Drawer	21
Built in Wine Cabinet HWgb 1803, HWgw 1803	22
Appliance Dimensions	22
Cabinet Dimensions	22
Cabinet Dimensions - Flush Face Installation	23
Appliance Venting	23
Types of air outlet	23
Cabinet Dimension - Accessory Drawer	23
Built in Wine Cabinet HWgb(w) 3300	24
Appliance Dimensions	24
Cabinet Dimensions	25
Appliance Venting	25
Types of air outlet	25
Kitchen Cabinet Base Grille	25
Built in Wine Cabinet HWgb(w) 5100	26
Appliance Dimensions	26
Cabinet Dimensions	27
Appliance Venting	27
Types of air outlet	27
Built in Wine Cabinet HWgb(w) 8300	28
Appliance Dimensions	28
Cabinet Dimensions	29
Appliance Venting	29
Types of air outlet	29
Built in Wine Cabinet HW 3000	30
Appliance Dimensions	30
Cabinet Dimensions	31
Appliance Venting	31
Types of air outlet	31
Built in Wine Cabinet HW 4800	32
Appliance Dimensions	32
Cabinet Dimensions	33
Appliance Venting	33
Types of air outlet	33
Built in Wine Cabinet HW 8000	34
Appliance Dimensions	34
Cabinet Dimensions	35
Cabinet Dimensions for 84"	35
Appliance Venting	36
Types of air outlet	36
Freestanding Wine Cabinet WS 17800	37
Appliance Dimensions	37
Cabinet Opening Dimensions	38
Side by Side WS 17800	38
Door Swing Clearance WS 17800	39
Accessories	41



General Remarks

Safety Warnings

PLEASE READ AND FOLLOW THESE INSTRUCTIONS

This design guide contains Warning and Important statements. This information is important for planning a safe and efficient installation. Please refer to the Installation Manual specific to your model for complete installation instructions.

This design guide is intended for planning purposes and is not a replacement for your appliance's Use and Care Manual which contains important information on how to use Liebherr appliances.

Always read and follow all Warning and Important statements!



Warning indicates a potentially hazardous situation which, if not avoided, could result in death or serious injury.

IMPORTANT

This highlights information that is especially relevant to a problem-free installation and operation.

Make sure incoming voltage is the same as the unit rating.

To reduce the risk of fire, electric shock, or personal injury, the installation work and electrical wiring must be done by a qualified electrician in accordance with all applicable codes and standards, including fire rated construction.

To the Installer

It is very important that the guidelines and instructions are followed in this design guide to ensure proper installation and operation of the unit. The Installation Guidelines section contains important information for making sure the installation is correct. Read and understand all the information and installation guidelines in this manual before the unit is installed.

It is also very important to **know** the Safety Information.

General Remarks

Electrical Requirements & Safety

A 15 amp or 20 amp, 110-120 VAC, circuit which is grounded and protected by a circuit breaker or fuse is required.

We recommend using a dedicated circuit for each appliance to prevent circuit overload and the chance of interruption to the appliance.

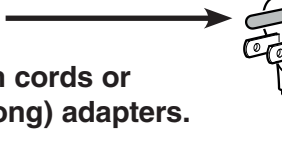
The appliances are equipped with a three-prong (grounding) polarized plug for protection against possible shock hazards.

Comply with the National Electrical Code as well as local codes and ordinances when installing the receptacle.

WARNING!

Electrocution hazard.

Electrical grounding required.

- Do not remove the round grounding prong from the plug. 
- Do not use extension cords or ungrounded (two-prong) adapters.
- Do not use a power cord that is frayed or damaged.

- Do not use a power strip. 

Failure to follow these instructions may result in fire, electrical shock or death.

WARNING!

Electrocution hazard.

For outdoor use, connect this appliance to a GFCI receptacle only.

Failure to follow these instructions may result in fire, electrical shock or death.

IMPORTANT

Do not place the appliance where it may be in standing water or where the power cord may be immersed.

General Remarks

Area Requirements

Verify the following:

- Finished kitchen floor height is level. The appliance must be shimmed to the floor level, or levelled, to make sure air vents are not obstructed.
- Remove anything attached to the rear or side walls that can obstruct the refrigerator opening.
- Cutout dimensions are accurate.
- Electrical outlet is in correct location.

Do not install this appliance next to any other refrigerator or freezer except another Liebherr model.

Liebherr models are designed to allow side by side installation. They are equipped with a heating system to eliminate condensation when units are installed side by side.

Installing this appliance next to any other refrigerator or freezer can cause condensation or cause damage to the appliance.

IMPORTANT

To protect the refrigerator from possible damage, allow the appliance to stand 1 hour in place before turning the electricity on. This allows the refrigerant and system lubrication to reach equilibrium.

Safety Regulations

The appliances are designed to cool and store wine and beverages.

The appliances are manufactured to operate within specific ambient temperature limits according to its climate rating.

The climate rating indicates the ambient temperature at which the appliance may be operated in order to deliver optimal refrigeration performance.

The climate rating for each model is visible in chapter "Specifications".

Climate Rating	Ambient Temperature
SN	50°F to 90°F (10°C to 32°C)
N	61°F to 90°F (16°C to 32°C)
ST	61°F to 100°F (16°C to 38°C)
T	61°F to 109°F (16°C to 43°C)
SN-ST	50°F to 100°F (10°C to 38°C)
SN-T	50°F to 109°F (10°C to 43°C)

IMPORTANT

Do not operate the appliance outside the specified ambient temperature range.

- Refrigerant circuits are tested for leaks.
- The appliances

WU 3400
WUgb 3400
WU 4500
HWgb 1803
HWgw 1803
HW gb(w) 3300
HW gb(w) 5100
HW gb(w) 8300
HW 3000
HW 4800
HW 8000

complies with current safety regulations

CAN/CSA C22.2 No.60335-1-11
UL 60335-1 Fifth Edition
CAN/CSA C22.2 No. 60335-2-24-06
UL 60335-2-24 First Edition

- The appliances

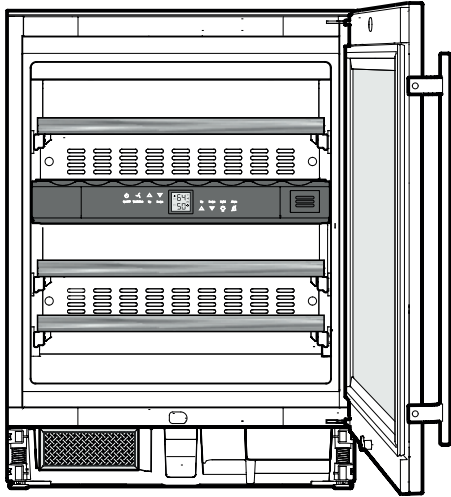
HWS 1800
WS 17800

complies with current safety regulations

CAN/CSA C22.2 # 63
UL 250

Specifications

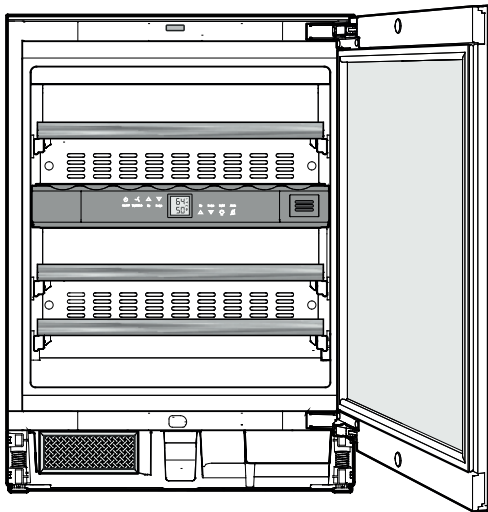
Wine Cabinets WU 3400, WUgb 3400, WU 4500



WU 3400

Energy Supply: 115V / 60Hz / 2A
Climate Rating: SN-ST
Door hinges: right/reversible
Door: glass door with stainless steel frame

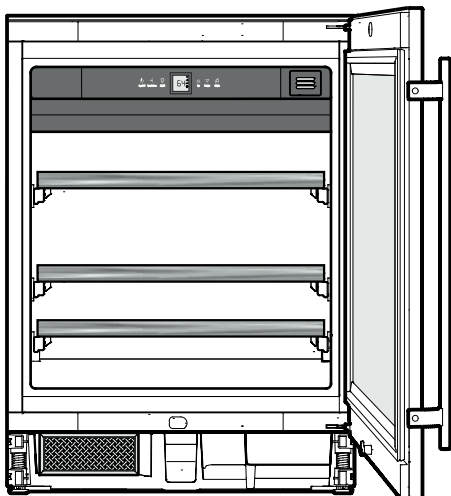
- Touch electronic control system
- Telescopic wine shelves
- Activated charcoal filter
- LED-light



WUgb 3400

Energy Supply: 115V / 60Hz / 2A
Climate Rating: SN-ST
Door hinges: right/reversible
Door: glass door

- Touch electronic control system
- Telescopic wine shelves
- Activated charcoal filter
- LED-light
- Tip open door mechanism



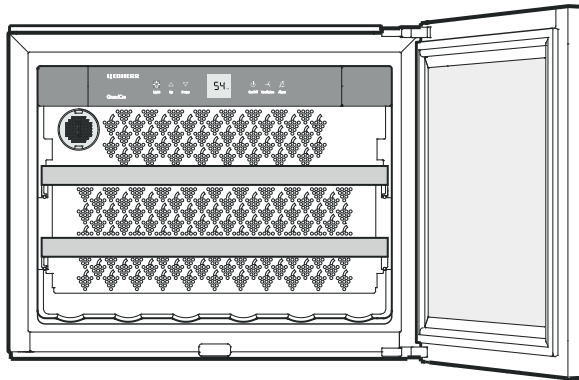
WU 4500

Energy Supply: 115V / 60Hz / 1.5A
Climate Rating: SN-ST
Door hinges: right/reversible
Door: glass door with stainless steel frame

- Touch electronic control system
- Telescopic wine shelves
- Activated charcoal filter
- LED-light

Specifications

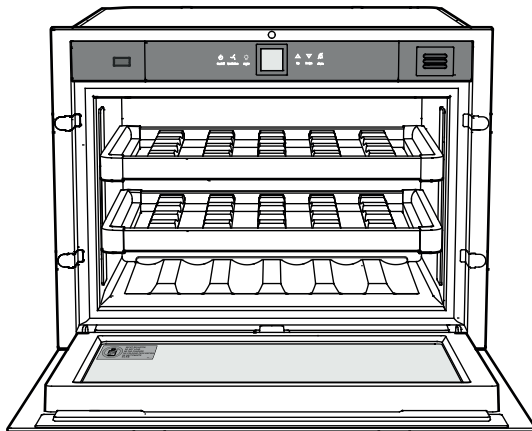
Wine Cabinets HWS 1800, HWgb 1803, HWgw 1803



HWS 1800

Energy Supply: 115V / 60Hz / 1A
Climate Rating: SN
Door hinges: right/reversible
Door: glass door with stainless steel frame

- Touch electronic control system
- Telescopic wine shelves
- Activated charcoal filter
- LED-light



HWgb 1803 (black glass front)

HWgw 1803 (white glass front)

Energy Supply: 115V / 60Hz / 1A
Climate Rating: SN-ST
Door: Drop down glass door

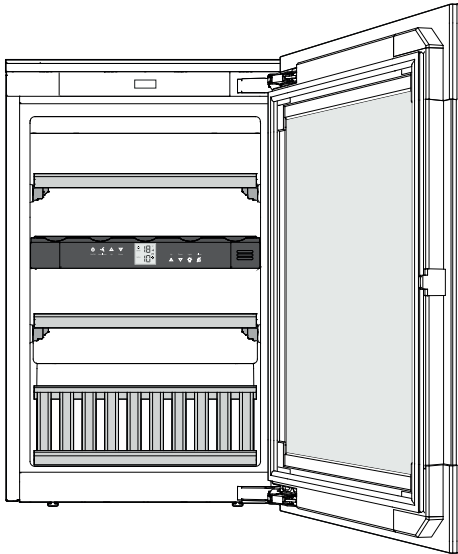
- Touch electronic control system
- Telescopic wine shelves
- Activated charcoal filter
- LED-light
- Tip open door mechanism

Wine

Specifications

Wine Cabinet

HW gb(w) 3300, HW gb(w) 5100, HW gb(w) 8300



HW gb(w) 3300

Energy Supply:

115V / 60Hz / 2A

Climate Rating:

SN-ST

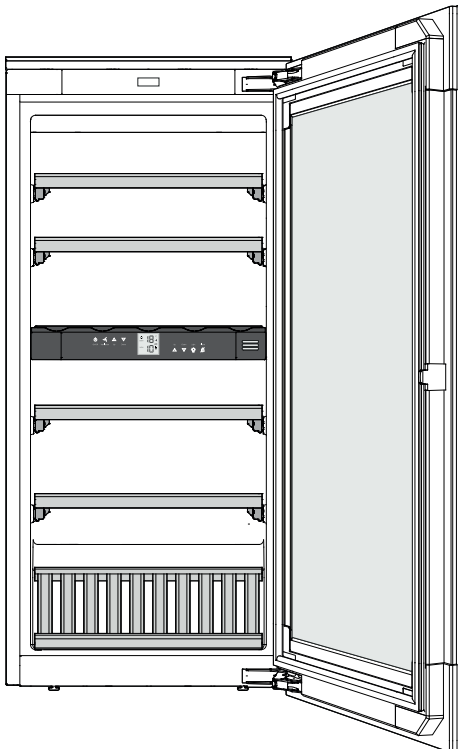
Door hinges:

right/reversible

Door:

glass door (black / white)

- Touch electronic control system
- Telescopic wine shelves
- Activated charcoal filter
- LED-light
- Tip open door mechanism



HW gb(w) 5100

Energy Supply:

115V / 60Hz / 2A

Climate Rating:

SN-ST

Door hinges:

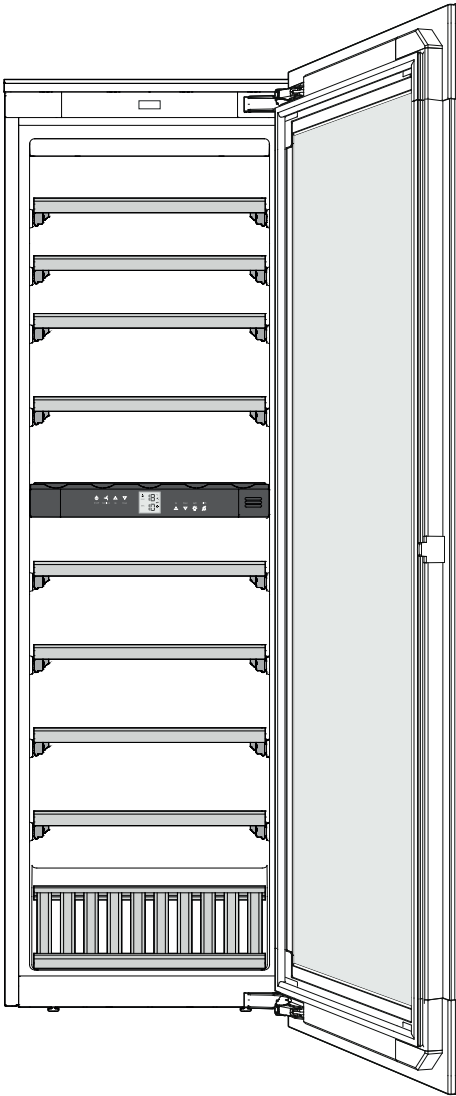
right/reversible

Door:

glass door (black / white)

- Touch electronic control system
- Telescopic wine shelves
- Activated charcoal filter
- LED-light
- Tip open door mechanism

Specifications



HW gb(w) 8300

Energy Supply:

115V / 60Hz / 2A

Climate Rating:

SN-ST

Door hinges:

right/reversible

Door:

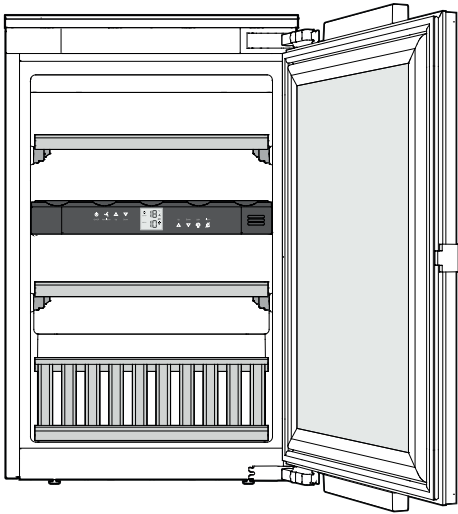
glass door (black / white)

- Touch electronic control system
- Telescopic wine shelves
- Activated charcoal filter
- LED-light
- Tip open door mechanism

Wine

Specifications

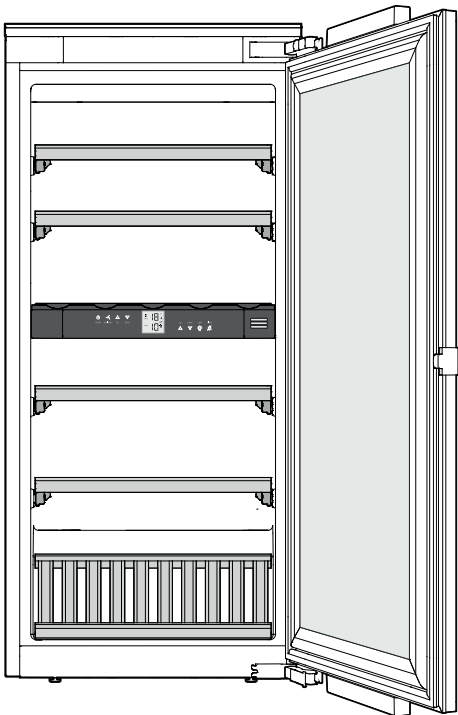
Wine Cabinet HW 3000, HW 4800, HW 8000



HW 3000

Energy Supply: 115V / 60Hz / 2A
Climate Rating: SN-ST
Door hinges: right/reversible
Door: variable door panel

- Touch electronic control system
- Telescopic wine shelves
- Activated charcoal filter
- LED-light

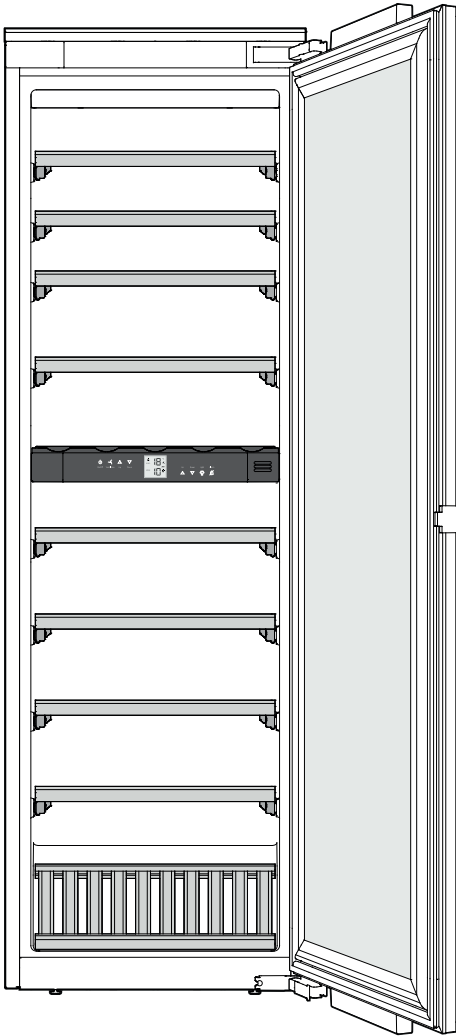


HW 4800

Energy Supply: 115V / 60Hz / 2A
Climate Rating: SN-ST
Door hinges: right/reversible
Door: variable door panel

- Touch electronic control system
- Telescopic wine shelves
- Activated charcoal filter
- LED-light

Specifications



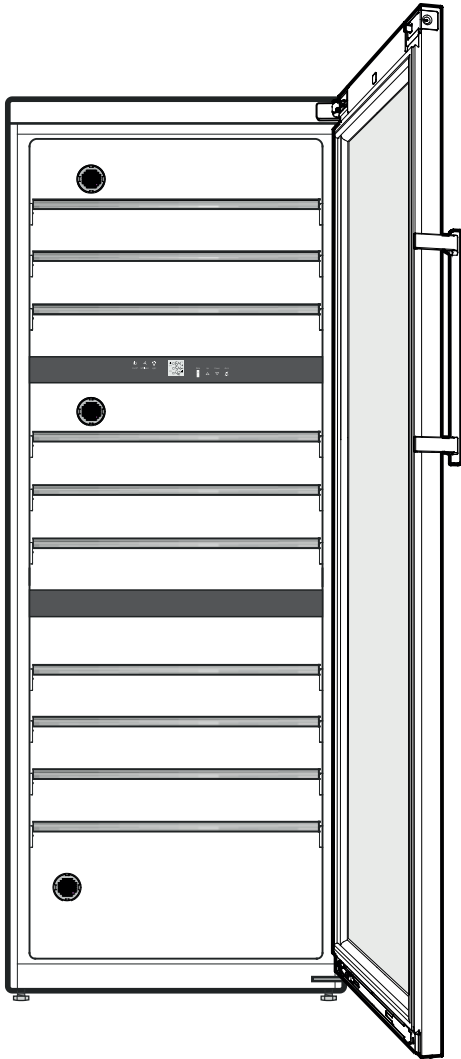
HW 8000

Energy Supply: 115V / 60Hz / 2A
Climate Rating: SN-ST
Door hinges: right/reversible
Door: variable door panel

- Touch electronic control system
- Telescopic wine shelves
- Activated charcoal filter
- LED-light

Specifications

Wine Cabinet WS 17800



WS 17800

Energy Supply:

115V / 60Hz / 2A

Climate Rating:

SN-ST

Door hinges:

right/reversible

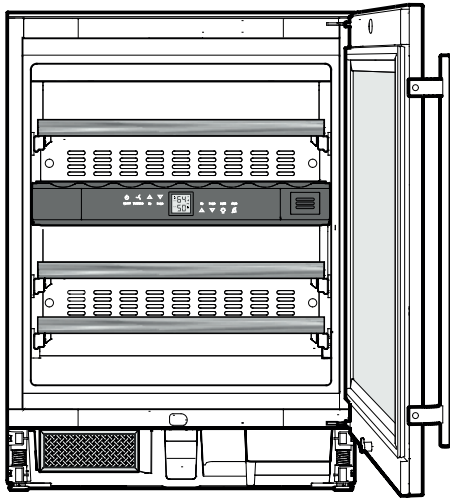
Door:

glass door with stainless
steel frame

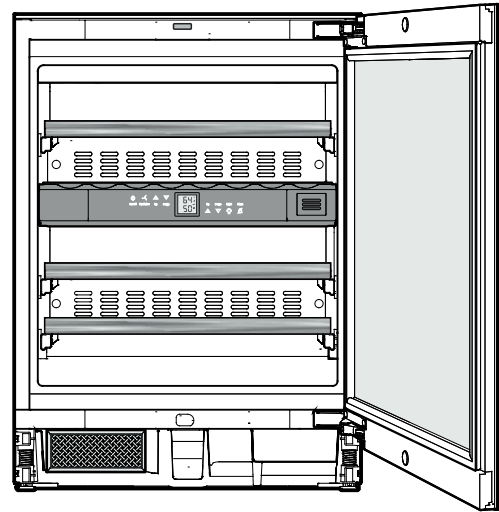
- Touch electronic control system
- Telescopic wine shelves
- Activated charcoal filter
- LED-light

Undercounter Wine Cabinet WU 3400 / WU 4500 / WUgb 3400

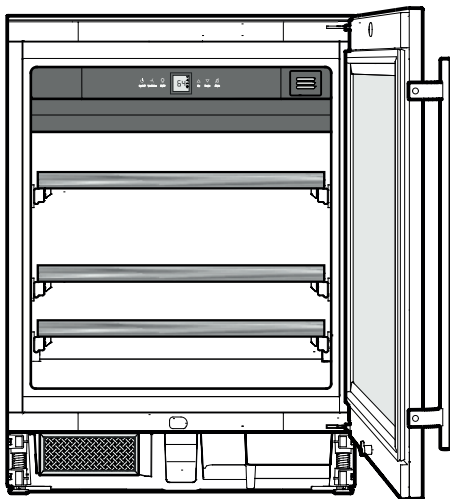
WU 3400



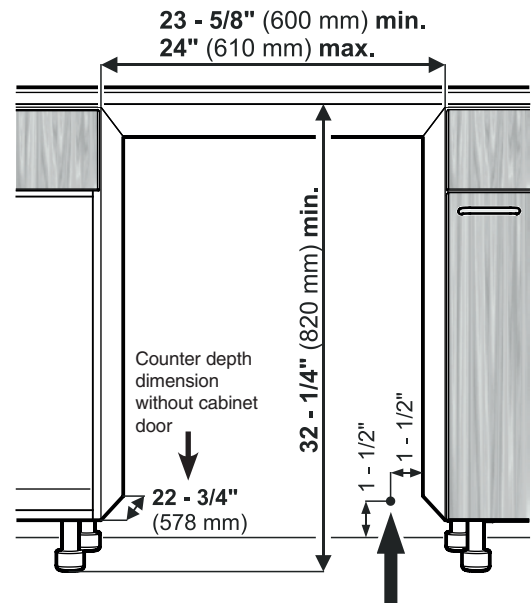
WUgb 3400



WU 4500



Cabinet Dimensions



The power cord exits the rear of the appliance at this location.

Free length of the power cord = 78 - 3/4 inch (2000 mm)

R600a Refrigerant

⚠ WARNING!

The refrigerant R600a contained within the appliances is environmentally friendly, but flammable. Leaking refrigerant can ignite.

To prevent possible ignition, designed ventilation is required.

These models can be assembled side by side using a SBS kit. Please see accessories section for kit number.

IMPORTANT

The electrical outlet must not be situated behind the appliance and must be easily accessible.

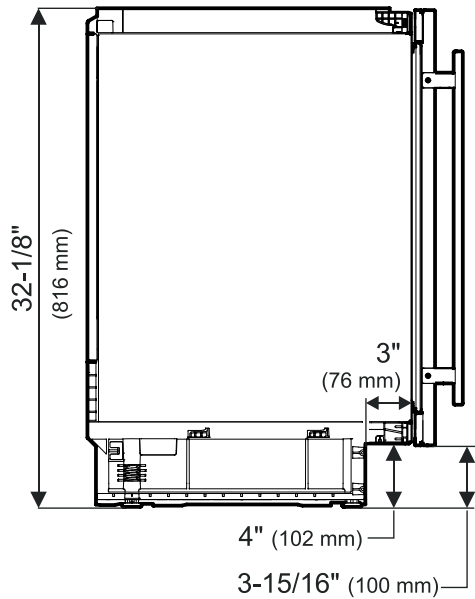
To adjust your wine unit to the counter, an adjustable toe kick is available. Height can be adjusted from 4 to 6 1/2", please see accessories section for the kit number. Also a trim kit to adjust above the wine unit is available, please see accessories section for the kit number.

Wine

Appliance Dimensions

WU 3400, WU 4500

Side view

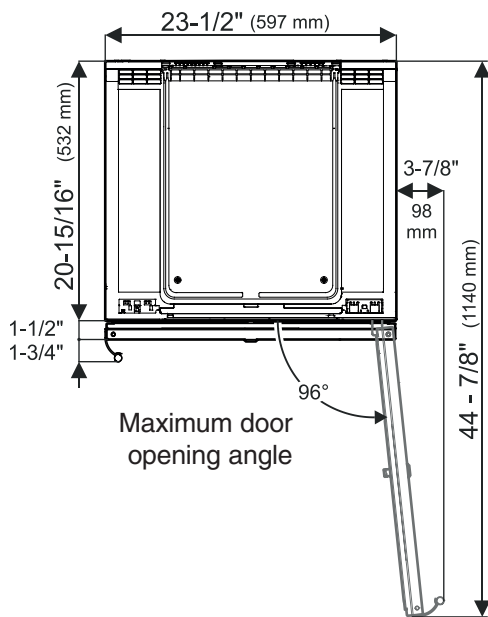


Height when adjustable feet have been screwed in as far as they will go.

Delivery status = feet approx. 1/8" unscrewed.

Maximum height adjustment = 2" (51 mm) to allow for a 6" (153 mm) toe kick.

Top view

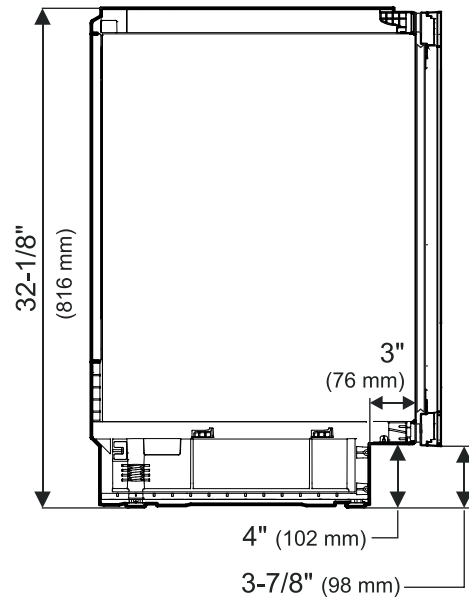


IMPORTANT

The floor on which the appliance stands must be horizontal and level. The kitchen units must be aligned horizontally and vertically.

WUgb 3400

Side view

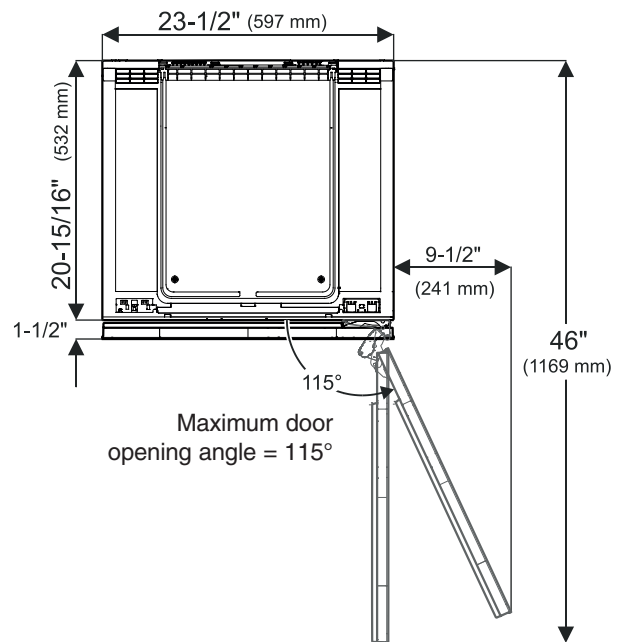


Height when adjustable feet have been screwed in as far as they will go.

Delivery status = feet approx. 1/8" unscrewed.

Maximum height adjustment = 2" (51 mm) to allow for a 6" (153 mm) toe kick.

Top view



IMPORTANT

The floor on which the appliance stands must be horizontal and level. The kitchen units must be aligned horizontally and vertically.

Ventilation requirements

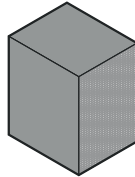
IMPORTANT

To ensure proper refrigeration performance of the appliance, the ventilation grille supplied must be installed.

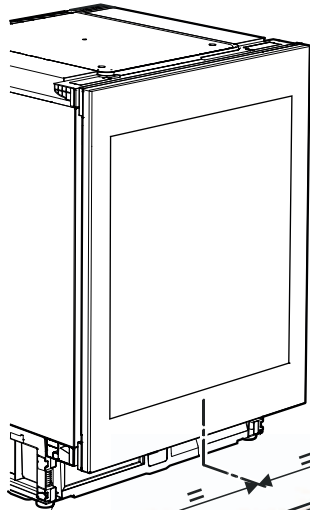
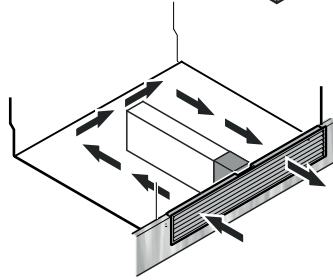
The ventilation grille must be installed into the toe kick panel.



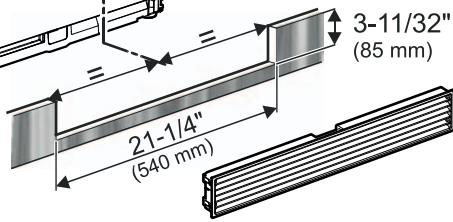
The foam block supplied must be installed in order to ensure the required air flow through the appliance base.



Failure to follow this instruction may result in poor refrigeration performance.



Cut-out section in the toe kick panel

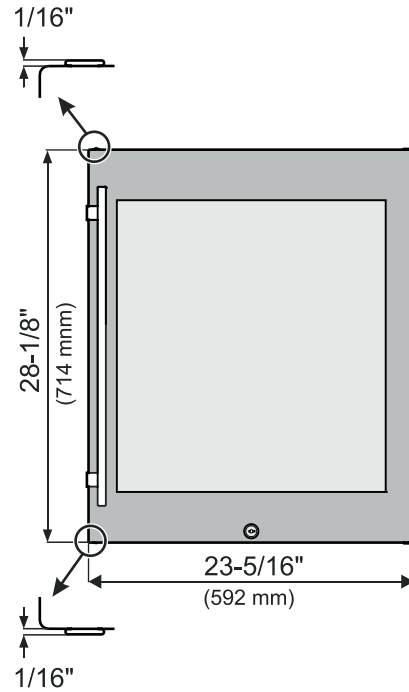


IMPORTANT

The cut-out section in the toe kick panel must be centered in relation to the appliance and in the uppermost part of the toe kick.

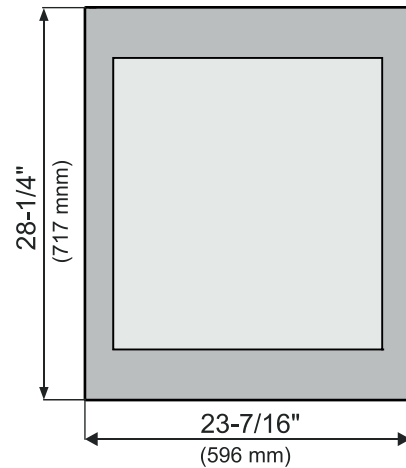
Dimensions of Appliance Door

WU 3400, WU 4500

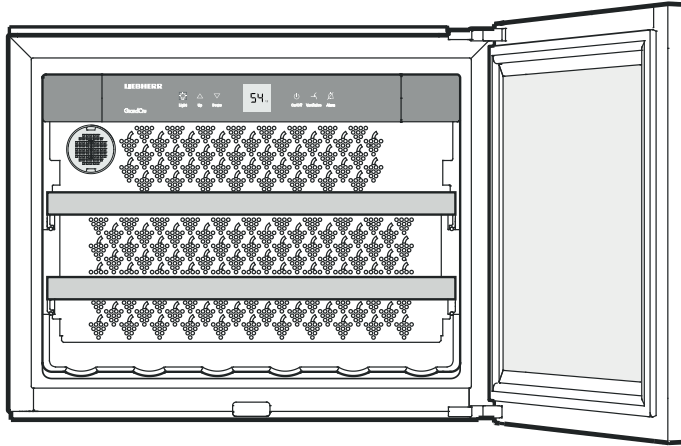


An overlay kit is available to install custom panel door. Please see accessories section for kit number.

WUgb 3400



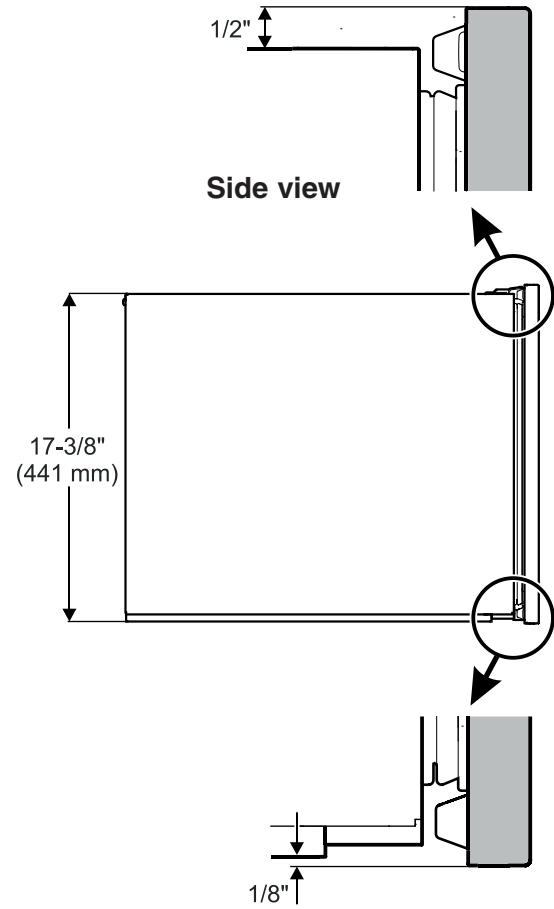
Built in Wine Cabinet HWS 1800



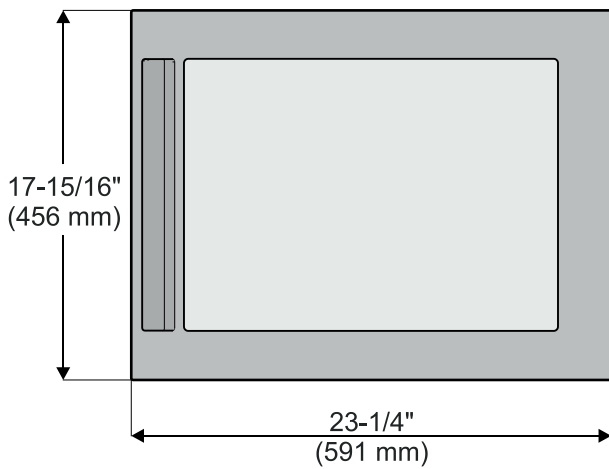
For installation in a 30" recess the Trim Kit is required.

See chapter "Accessories".

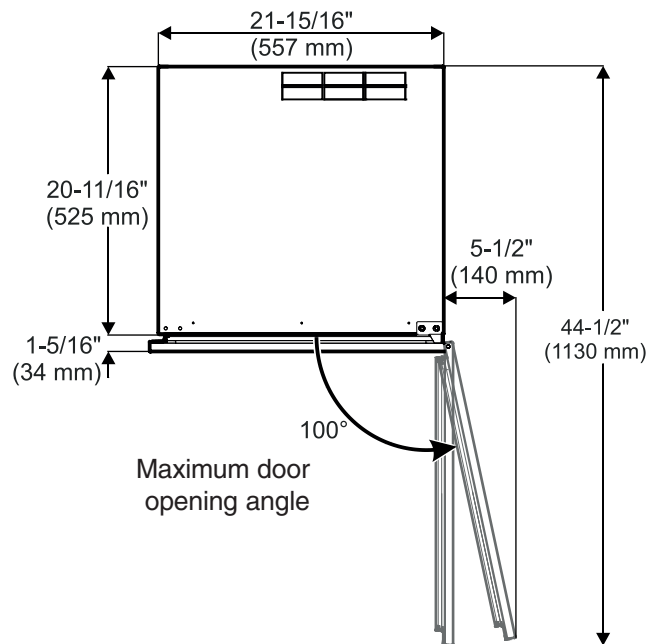
Appliance Dimensions



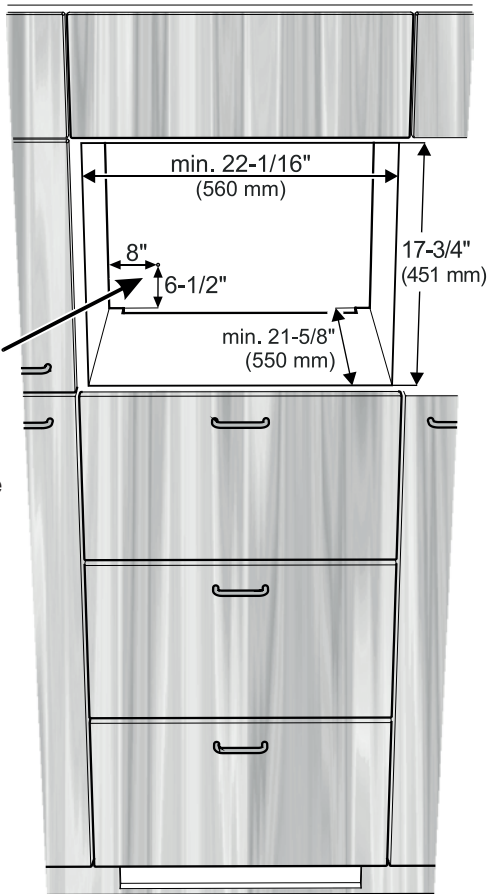
Dimensions of Appliance Door



Top view



Cabinet Dimensions



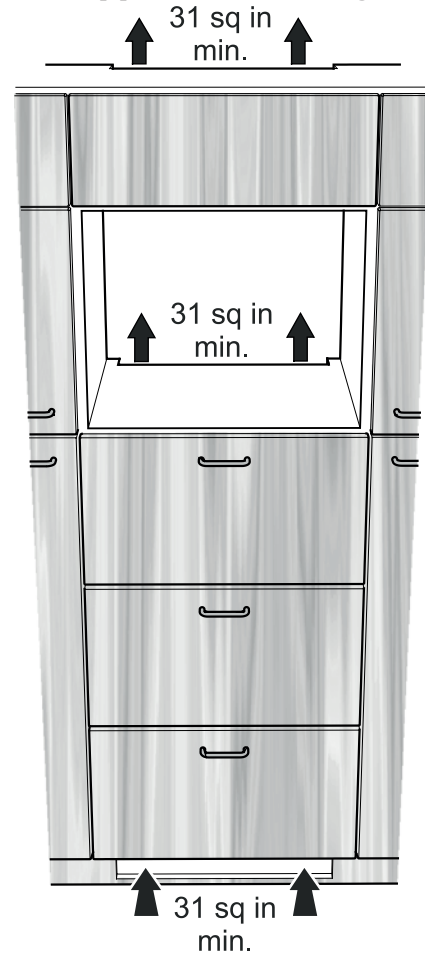
The power cord exits the rear of the appliance at this location.

Free length of the power cord = 48" (1220 mm)

IMPORTANT

The electrical outlet must not be situated behind the appliance and must be easily accessible.

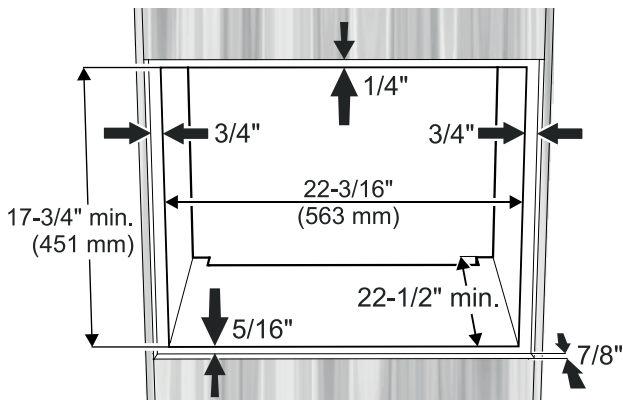
Appliance Venting



IMPORTANT

The clear ventilation cross section must be at least 31 sq inches from the lower to the top opening.

Cabinet Dimensions - Flush Face Installation

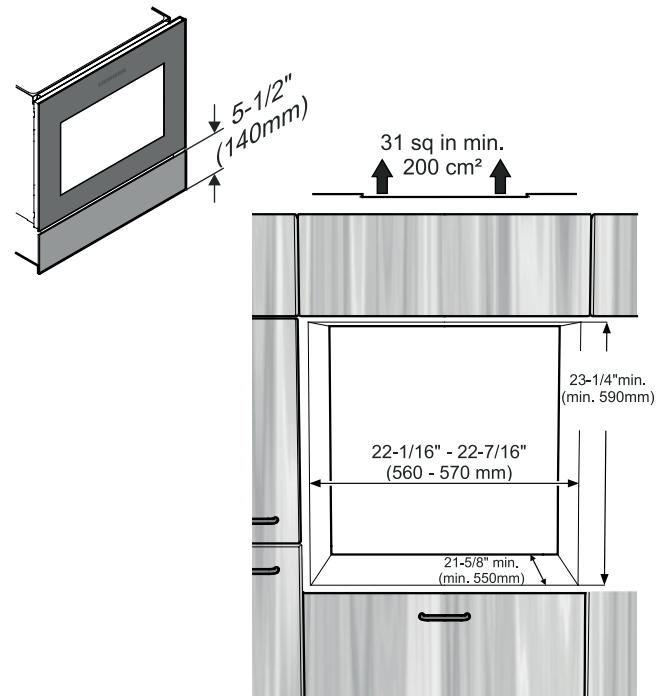


Cabinet dimensions for installations into a cabinet wall. Front of appliance door is flush with the cabinet front surface. Front opening results in a 3/16" gap between appliance door and outer recess.

IMPORTANT

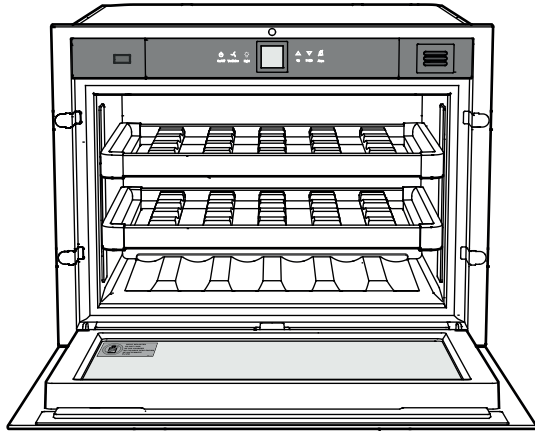
The appliance must be centered in the recess to avoid collision of the right door edge with the cabinet when the door is opened.

Cabinet Dimension - Accessory Drawer

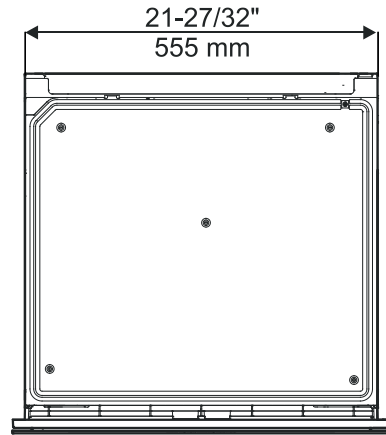


Wine

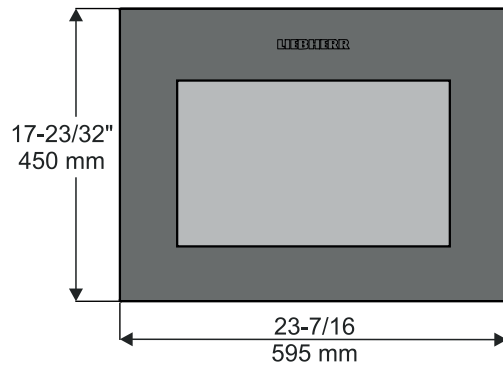
Built in Wine Cabinet HWgb 1803, HWgw 1803



Top view



Dimensions of Appliance Door



R600a Refrigerant



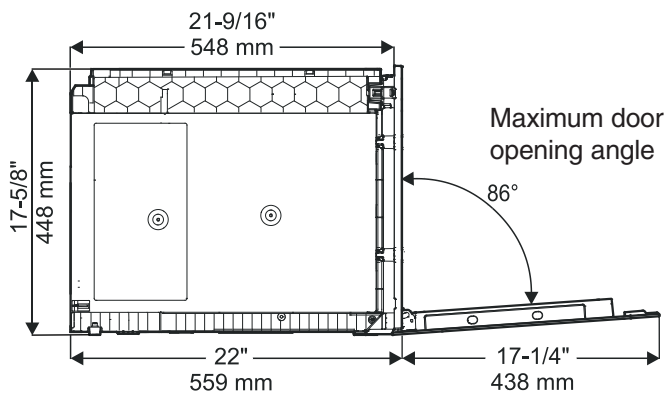
WARNING!

The refrigerant R600a contained within the appliance is environmentally friendly, but flammable. Leaking refrigerant can ignite.

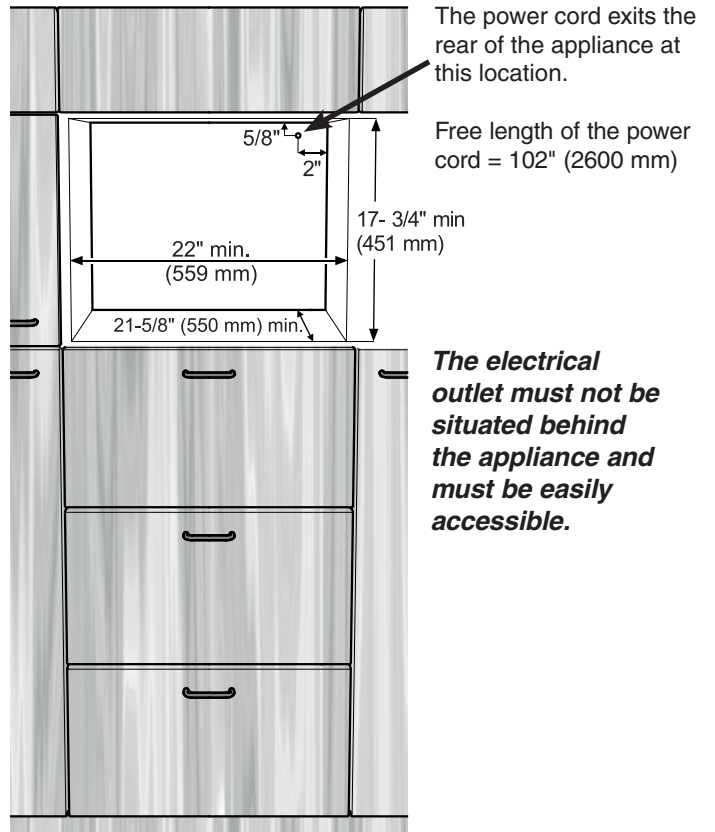
To prevent possible ignition, designed ventilation is required.

Appliance Dimensions

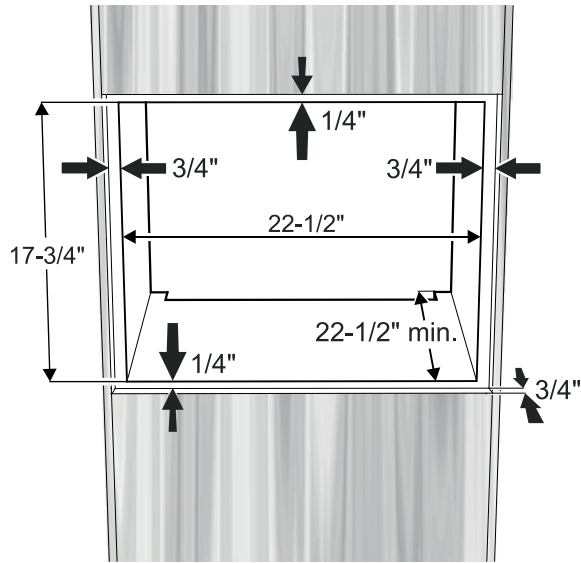
Side view



Cabinet Dimensions



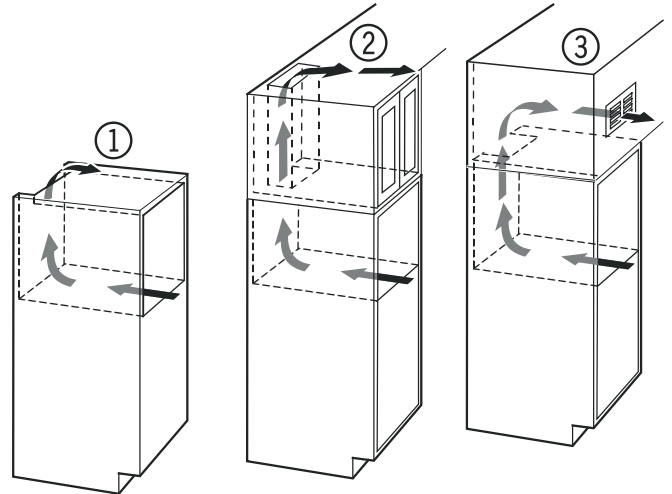
Cabinet Dimensions - Flush Face Installation



Cabinet dimensions for installations into a cabinet wall. Front of appliance door is flush with the cabinet front surface. Front opening results in a 3/16" gap between appliance door and outer recess.

Types of air outlet

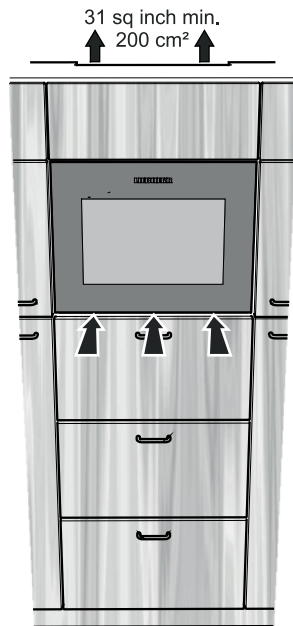
- ① Directly above the appliance
- ② Above the top unit
- ③ From the front of the top unit with decor grille



IMPORTANT

When using decor grills, the sum of the individual openings must total a minimum of 31 square inches. A cut-out section of 31 square inches (200 cm²) for installing the ventilation grille is thus not sufficient.

Appliance Venting

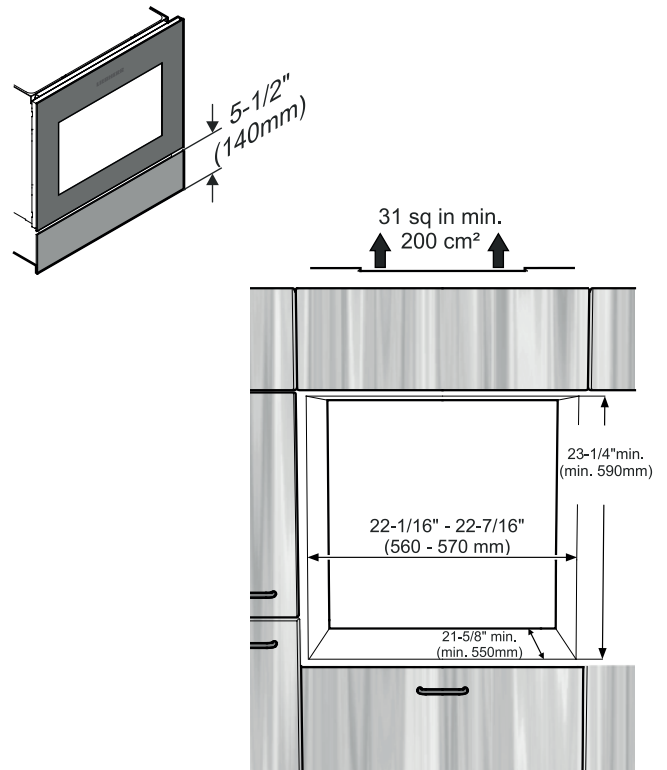


Important

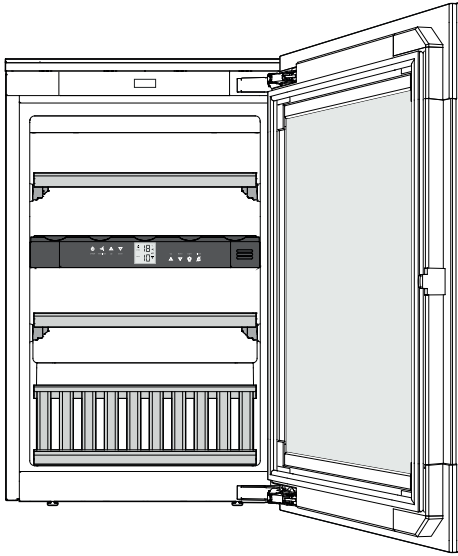
The area of ventilation above the unit should be at least 31 square inches (200 cm²).

The air supply passes below the appliance door.

Cabinet Dimension - Accessory Drawer

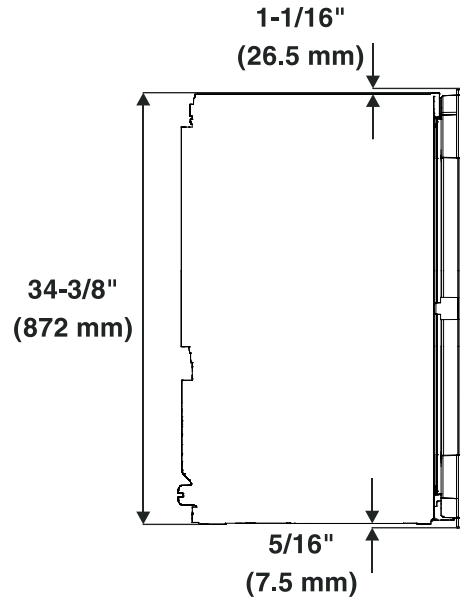


Built in Wine Cabinet HWgb(w) 3300

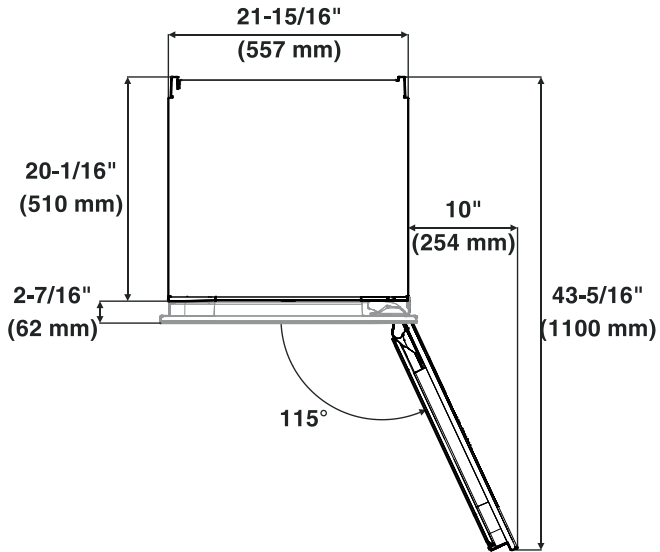


Appliance Dimensions

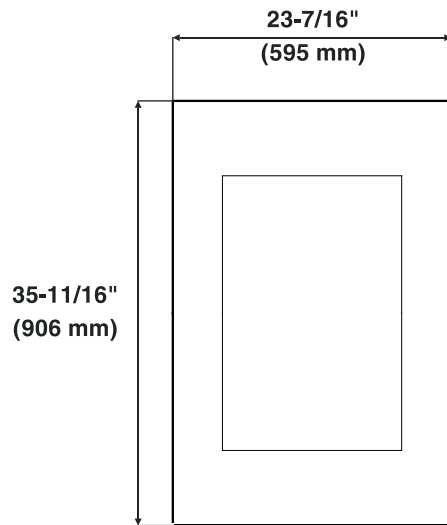
Side view



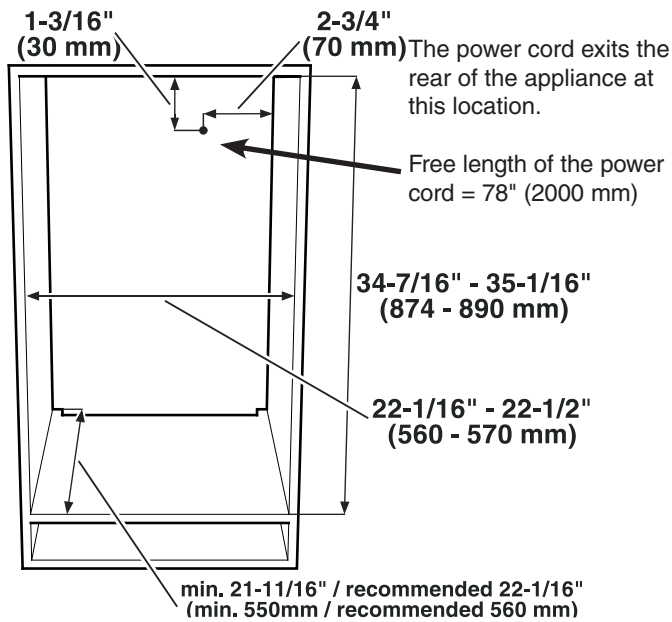
Top view



Dimensions of Appliance Door



Cabinet Dimensions

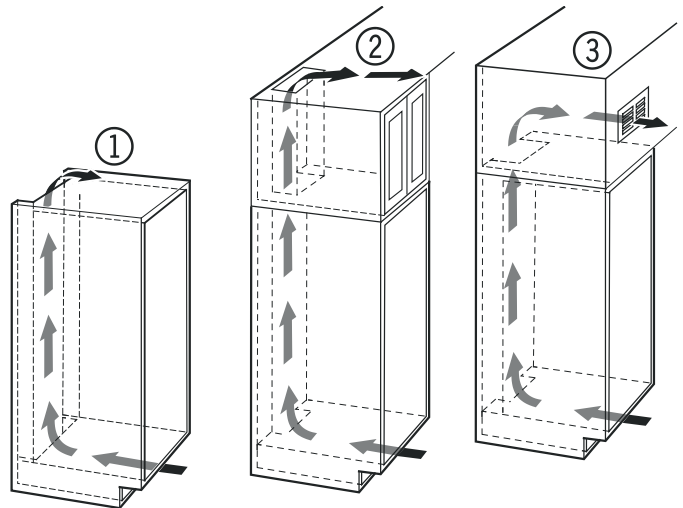


IMPORTANT

The electrical outlet must not be situated behind the appliance and must be easily accessible.

Types of air outlet

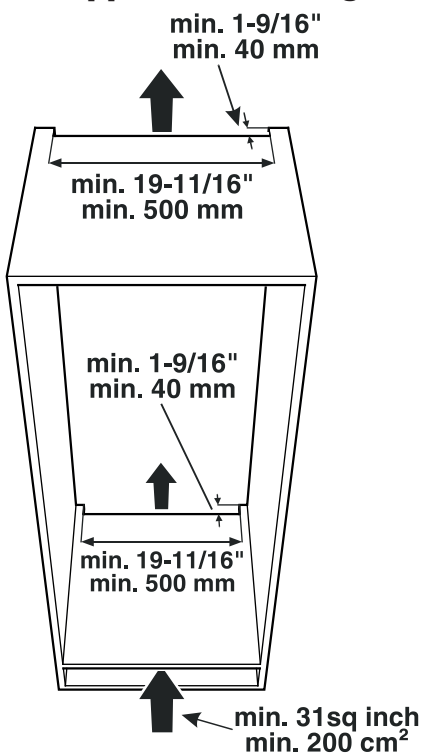
- ① Directly above the appliance
- ② Above the top unit
- ③ From the front of the top unit with decor grille



IMPORTANT

When using decor grills, the sum of the individual openings must total a minimum of 31 square inches. A cut-out section of 31 square inches (200 cm²) for installing the ventilation grille is thus not sufficient.

Appliance Venting



IMPORTANT

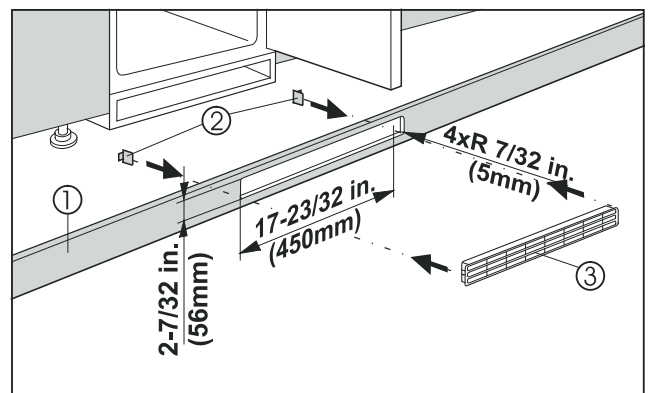
The clear ventilation cross section must be at least 31 sq inches from the lower to the top opening.

Cabinet Base Grille

Ventilation through the cabinet base at the bottom can be achieved by installing the ventilation grille (3) offered as accessory (see accessory list for more information) or by a ventilation opening of at least 31 in.² (200 cm²).

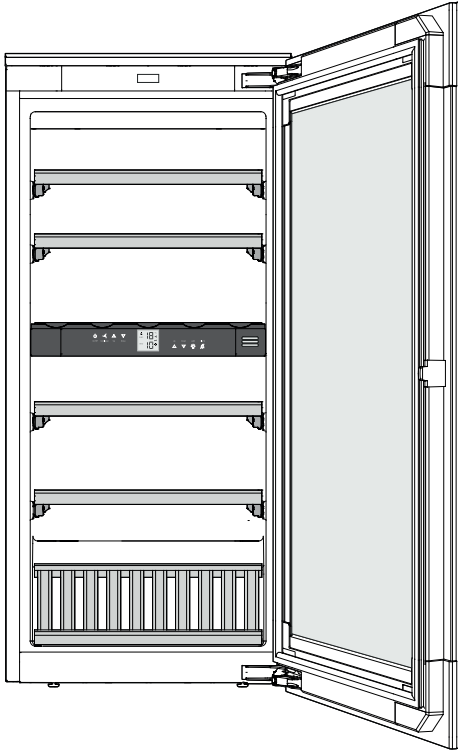
When using the ventilation grille (3), please proceed as follows:

- In the cabinet base, cut out a ventilation opening that is 17-23/32 in. (450 mm) in width and 2-7/32 in. (56 mm) in height.
- Insert ventilation (3) grille into the cabinet base cut-out (1).
- From the back side, slide the snap-fits (2) into the grille until the hooks make contact with the cabinet base.
- Completely mount cabinet base (with ventilation grille and snap-fits) to kitchen cabinet.



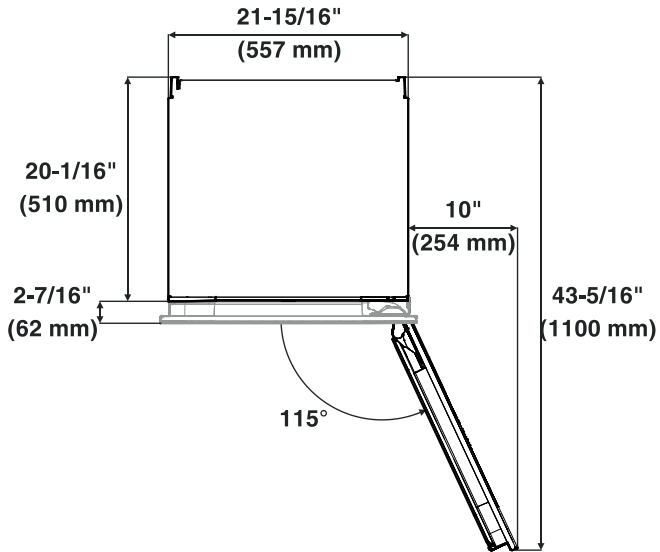
Wine

Built in Wine Cabinet HWgb(w) 5100



Appliance Dimensions

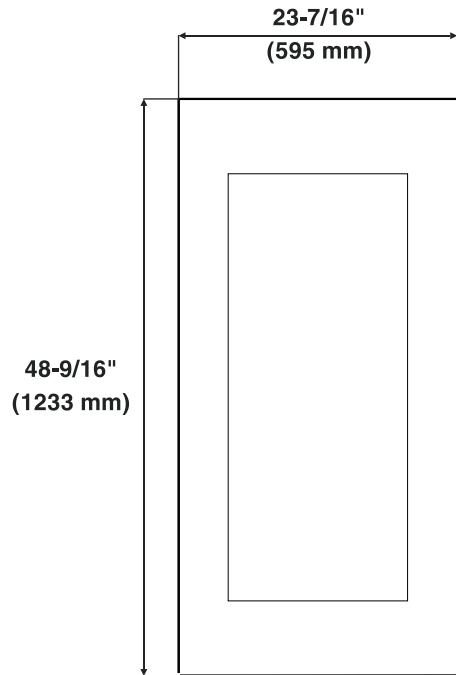
Top view



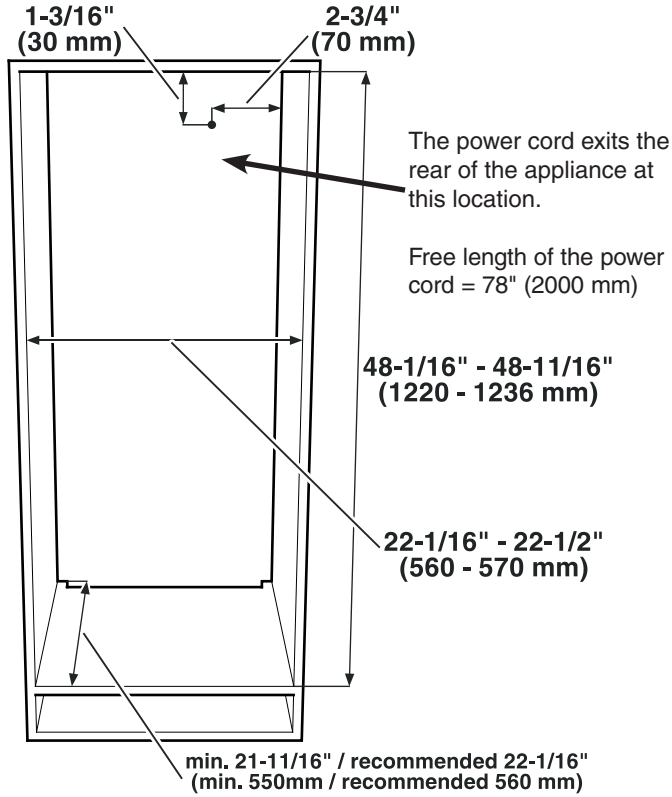
Side view



Dimensions of Appliance Door



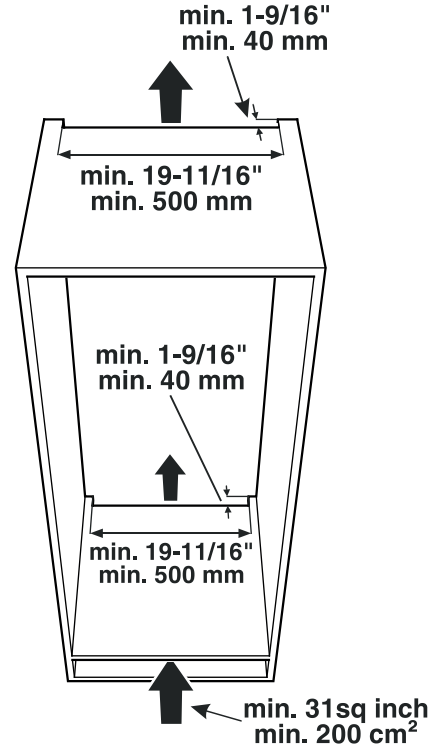
Cabinet Dimensions



IMPORTANT

The electrical outlet must not be situated behind the appliance and must be easily accessible.

Appliance Venting

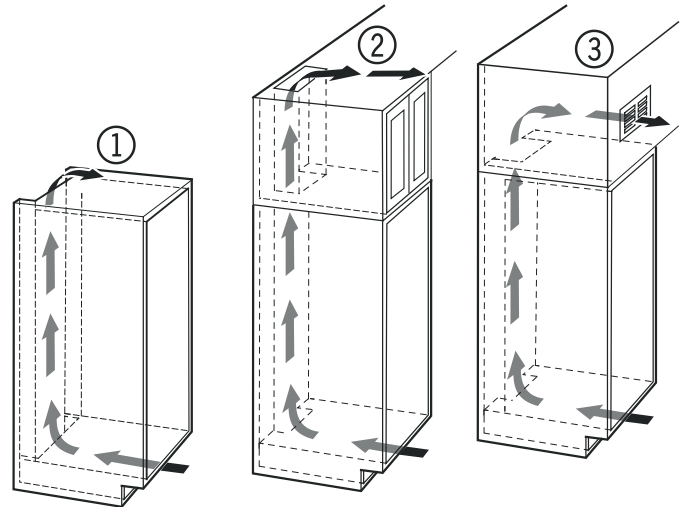


IMPORTANT

The clear ventilation cross section must be at least 31 sq inches from the lower to the top opening.

Types of air outlet

- ① Directly above the appliance
- ② Above the top unit
- ③ From the front of the top unit with decor grille



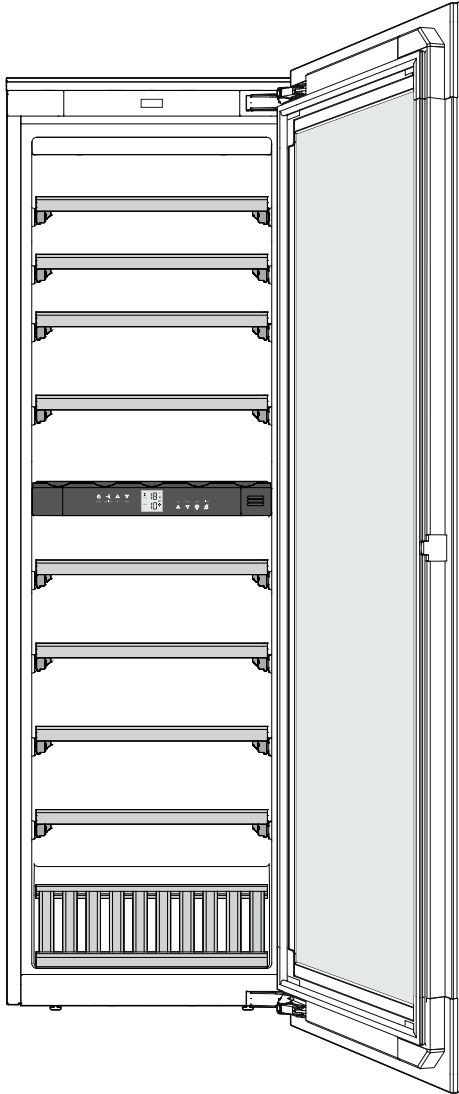
IMPORTANT

When using decor grills, the sum of the individual openings must total a minimum of 31 square inches. A cut-out section of 31 square inches (200 cm²) for installing the ventilation grille is thus not sufficient.

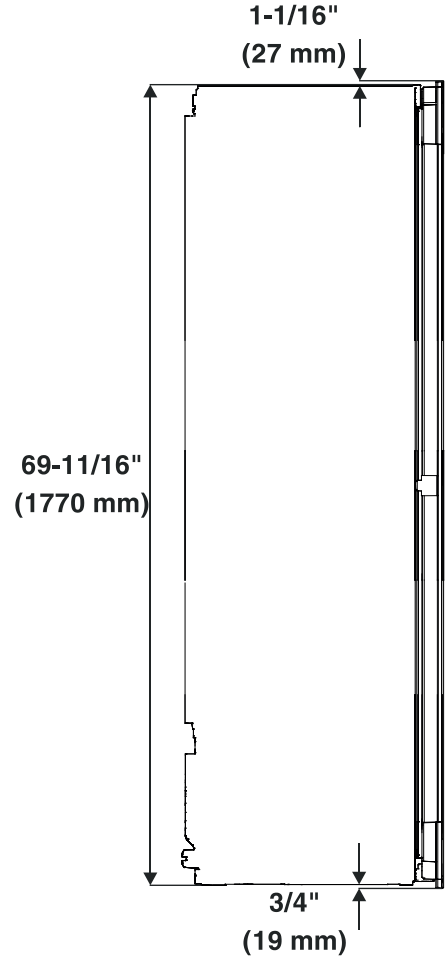
“Cabinet Base Grille”, see page 25

Wine

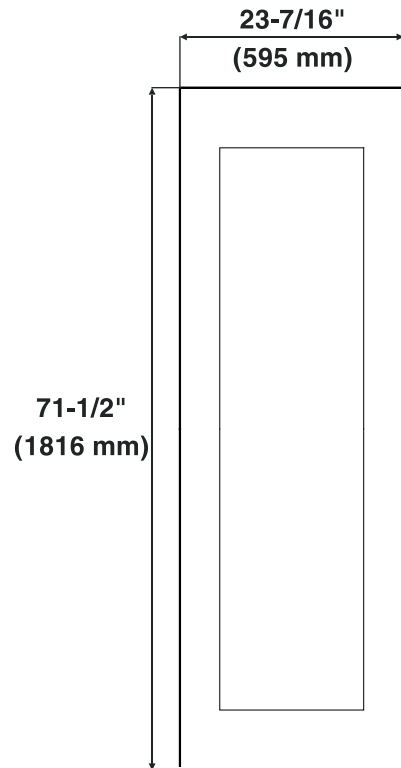
Built in Wine Cabinet HWgb(w) 8300



Side view

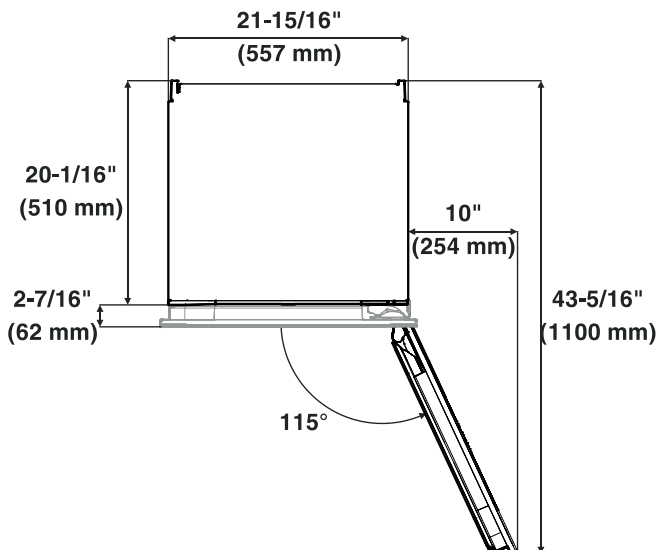


Dimensions of Appliance Door

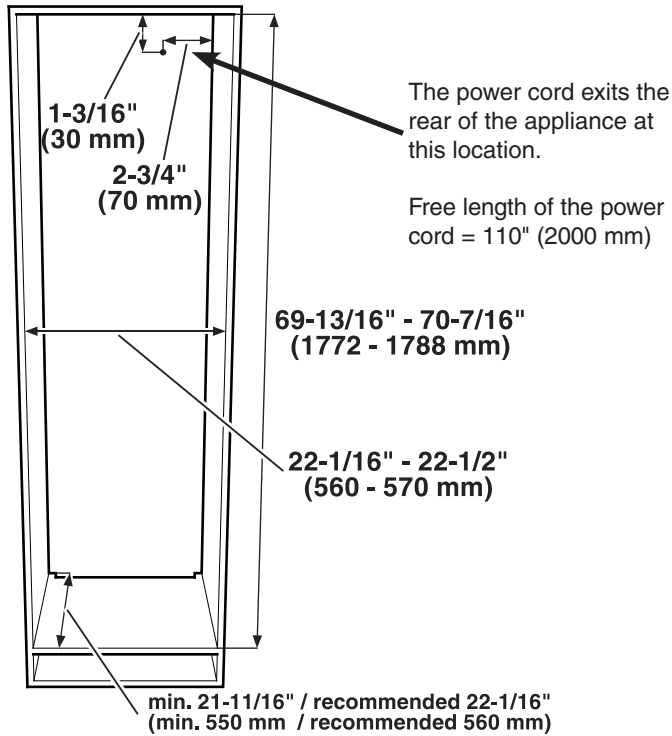


Appliance Dimensions

Top view



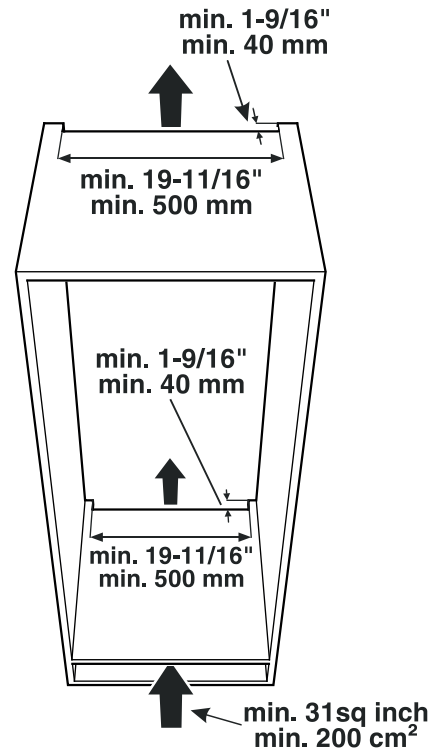
Cabinet Dimensions



IMPORTANT

The electrical outlet must not be situated behind the appliance and must be easily accessible.

Appliance Venting

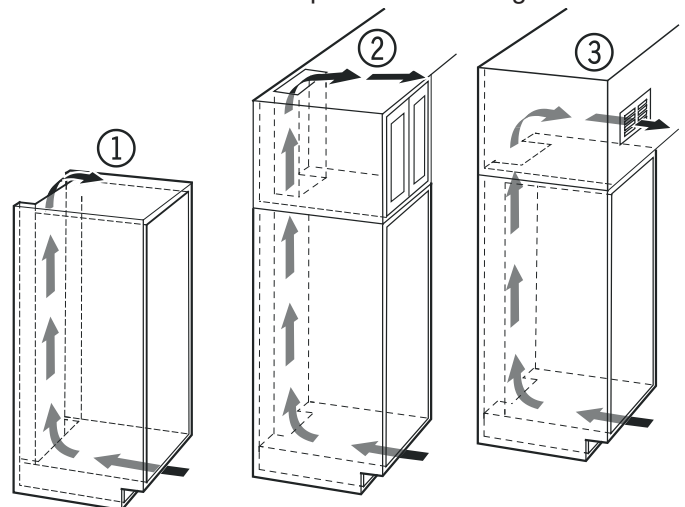


IMPORTANT

The clear ventilation cross section must be at least 31 sq inches from the lower to the top opening.

Types of air outlet

- ① Directly above the appliance
- ② Above the top unit
- ③ From the front of the top unit with decor grille



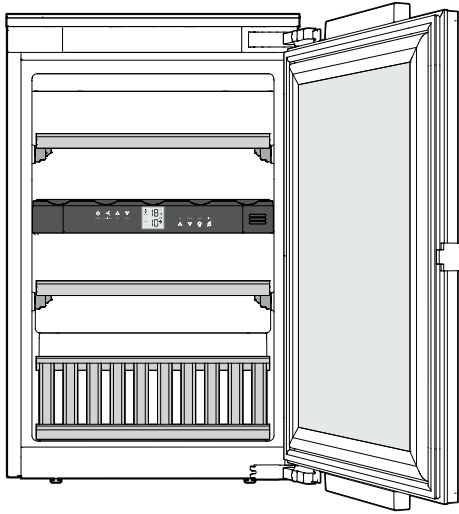
IMPORTANT

When using decor grills, the sum of the individual openings must total a minimum of 31 square inches. A cut-out section of 31 square inches (200 cm²) for installing the ventilation grille is thus not sufficient.

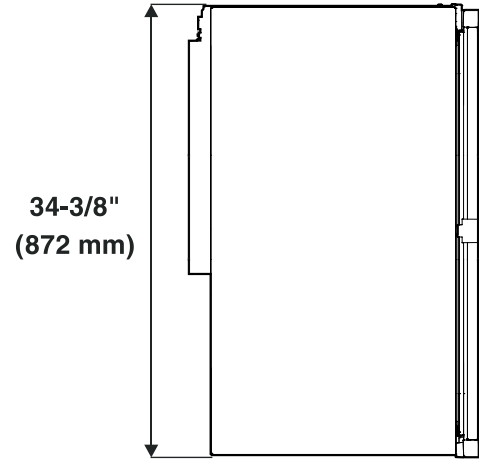
“Cabinet Base Grille”, see page 25

Wine

Built in Wine Cabinet HW 3000

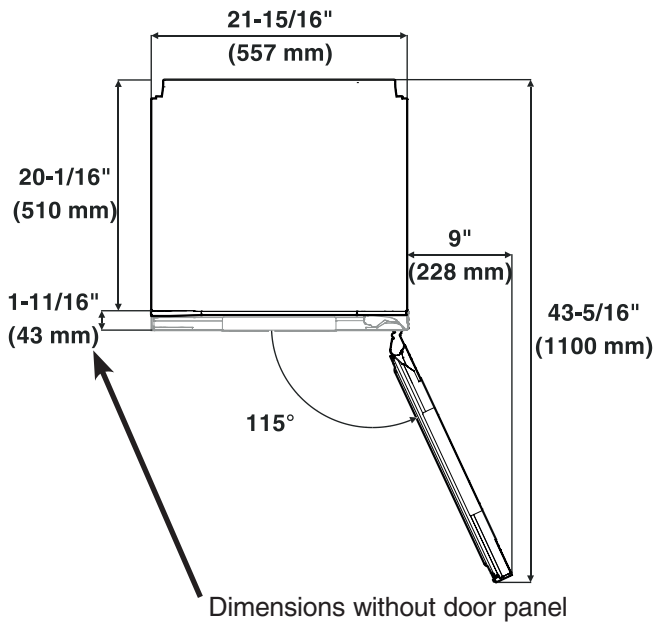


Side view

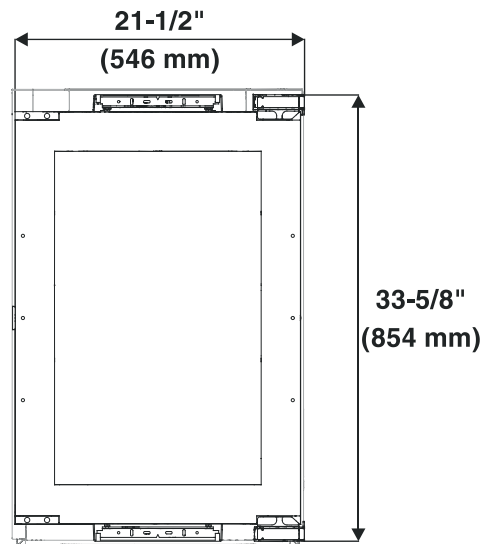


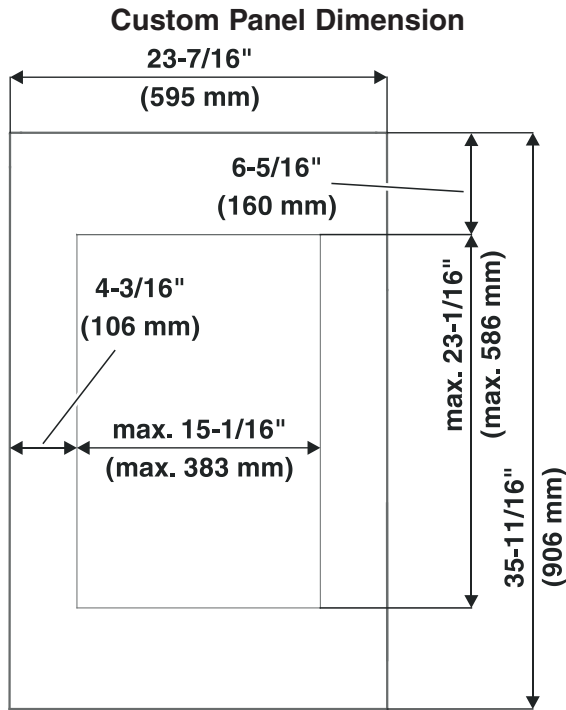
Appliance Dimensions

Top view



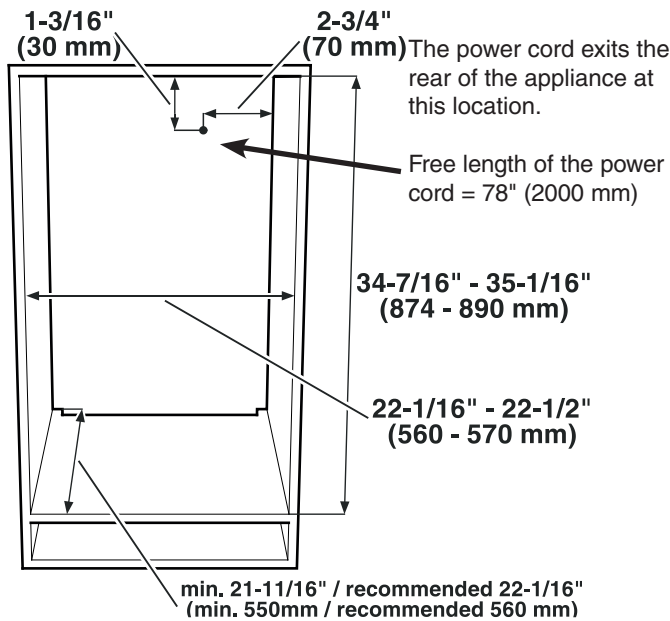
Dimensions of Appliance Door





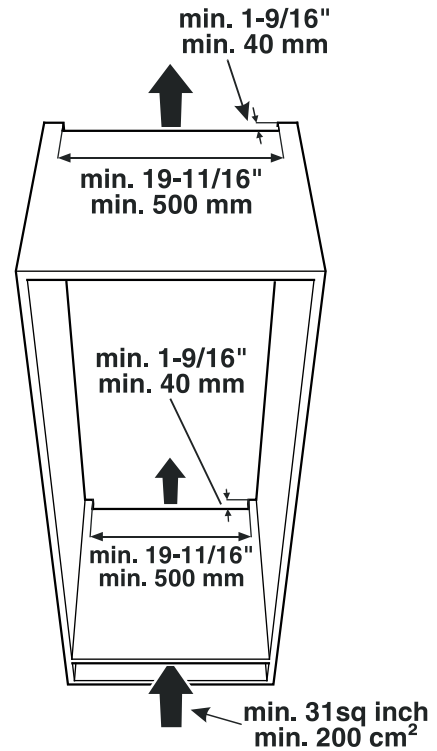
Maximum weight of the custom panel door is 44 lbs (20kg).
 The door should be at least 5/8 in. (16 mm) thick to allow the connecting rails to be fastened to it. The maximum thickness of the door panel can be 3/4 in. (19mm).

Cabinet Dimensions



IMPORTANT
 The electrical outlet must not be situated behind the appliance and must be easily accessible.

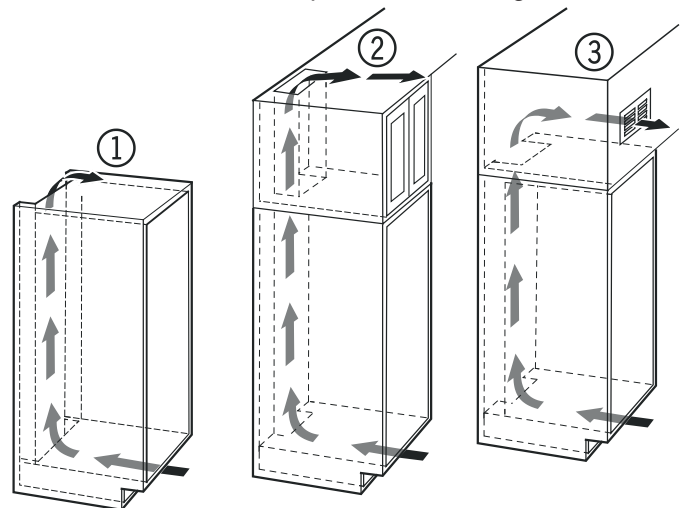
Appliance Venting



IMPORTANT
 The clear ventilation cross section must be at least 31 sq inches from the lower to the top opening.

Types of air outlet

- ① Directly above the appliance
- ② Above the top unit
- ③ From the front of the top unit with decor grille

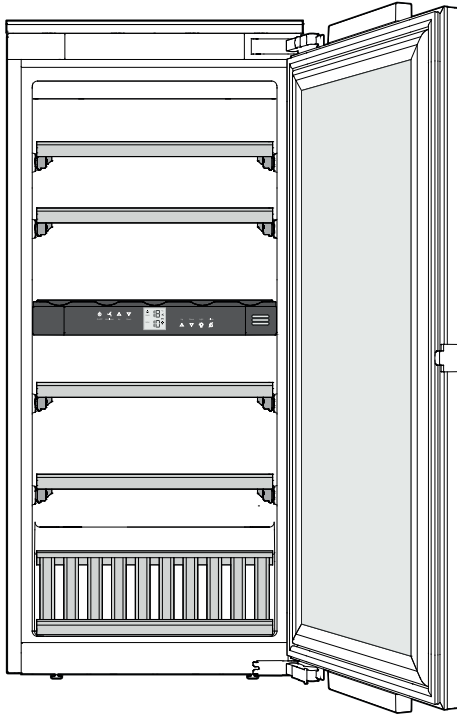


IMPORTANT
 When using decor grills, the sum of the individual openings must total a minimum of 31 square inches. A cut-out section of 31 square inches (200 cm²) for installing the ventilation grille is thus not sufficient.

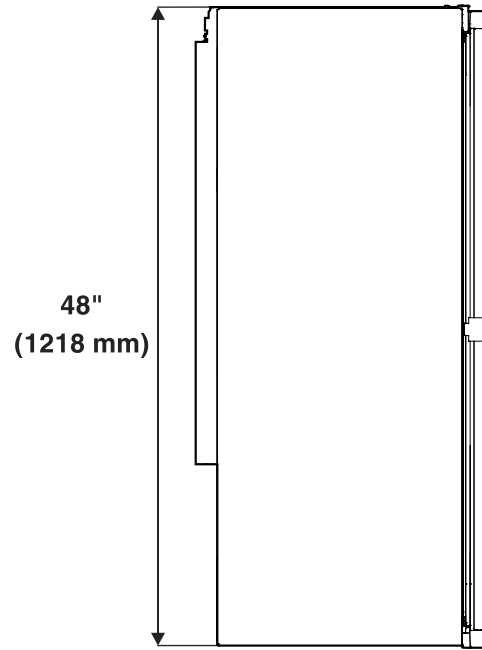
“Cabinet Base Grille”, see page 25

Wine

Built in Wine Cabinet HW 4800



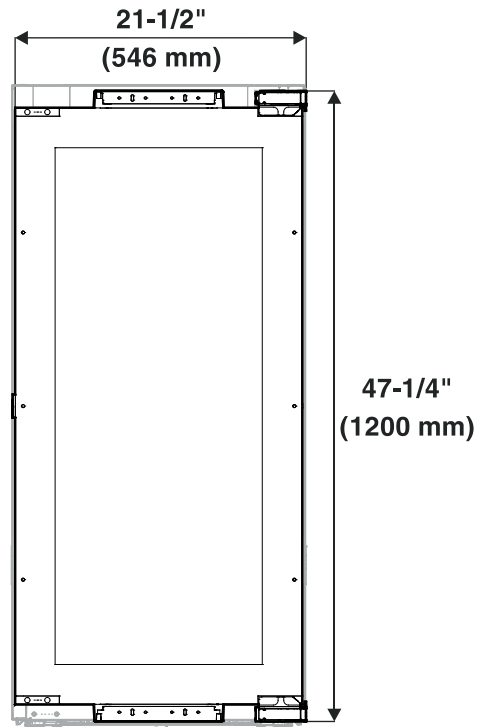
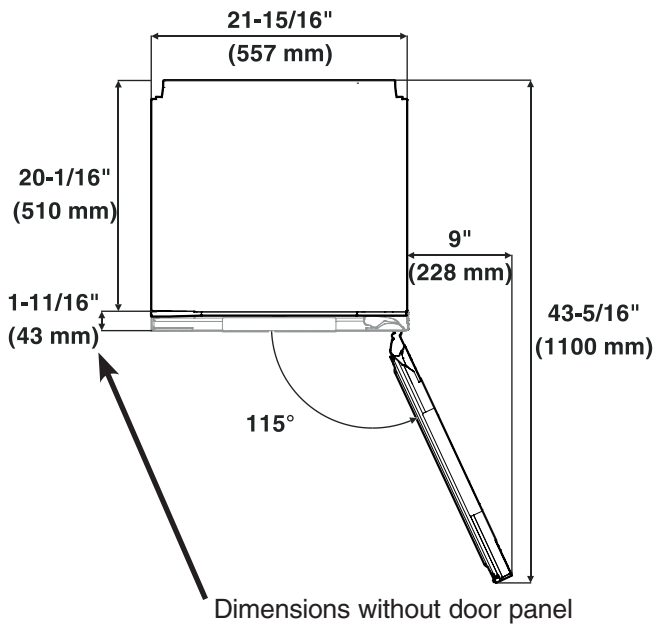
Side view



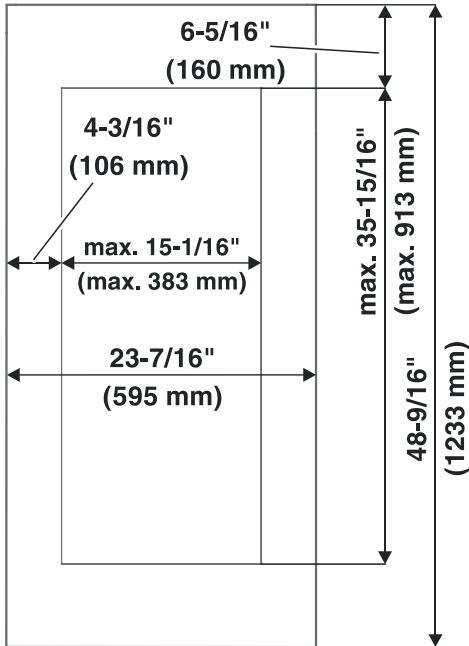
Dimensions of Appliance Door

Appliance Dimensions

Top view

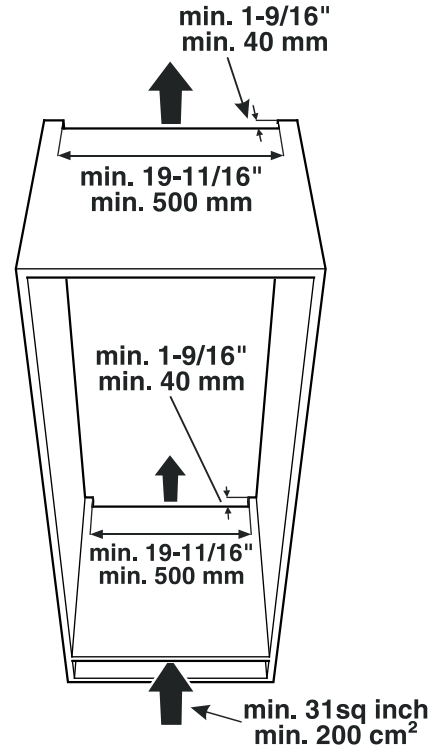


Custom Panel Dimension



Maximum weight of the custom panel door is 44 lbs (20kg).
 The door should be at least 5/8 in. (16 mm) thick to allow the connecting rails to be fastened to it. The maximum thickness of the door panel can be 3/4 in. (19mm).

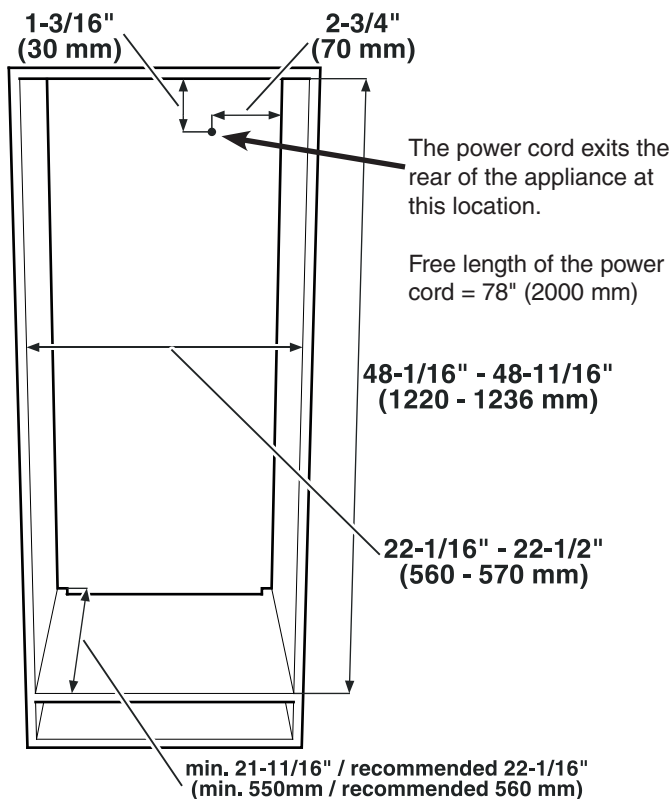
Appliance Venting



IMPORTANT

The clear ventilation cross section must be at least 31 sq inches from the lower to the top opening.

Cabinet Dimensions

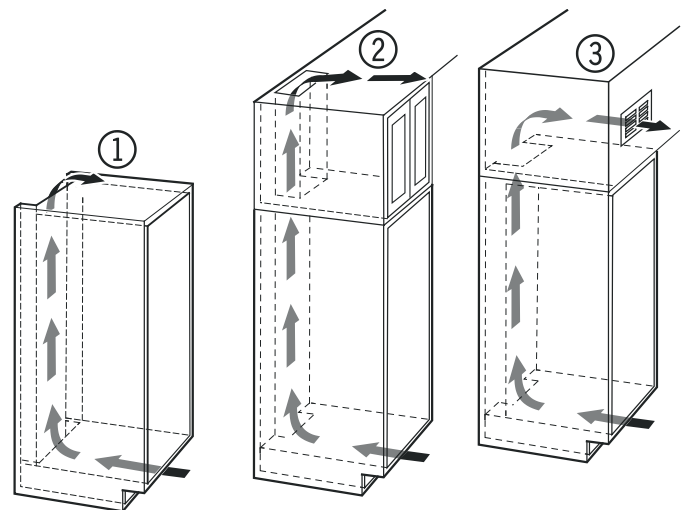


IMPORTANT

The electrical outlet must not be situated behind the appliance and must be easily accessible.

Types of air outlet

- ① Directly above the appliance
- ② Above the top unit
- ③ From the front of the top unit with decor grille



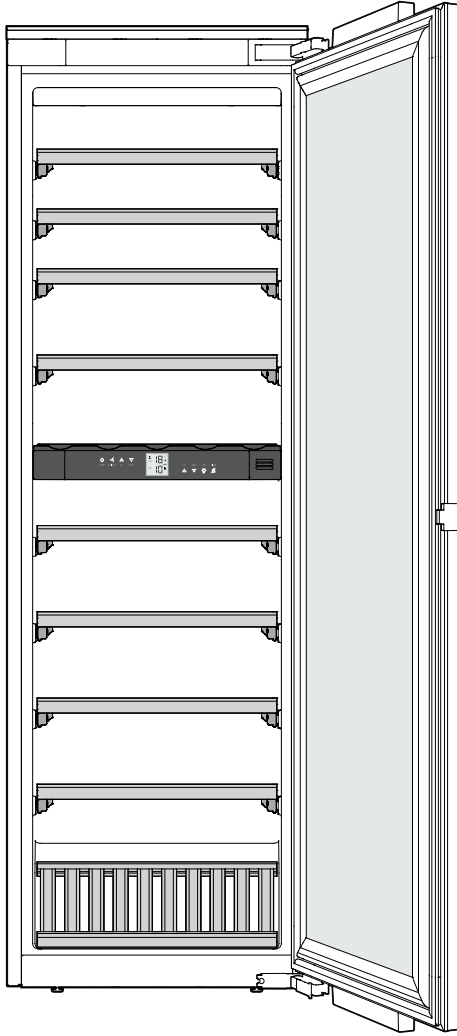
IMPORTANT

When using decor grills, the sum of the individual openings must total a minimum of 31 square inches. A cut-out section of 31 square inches (200 cm²) for installing the ventilation grille is thus not sufficient.

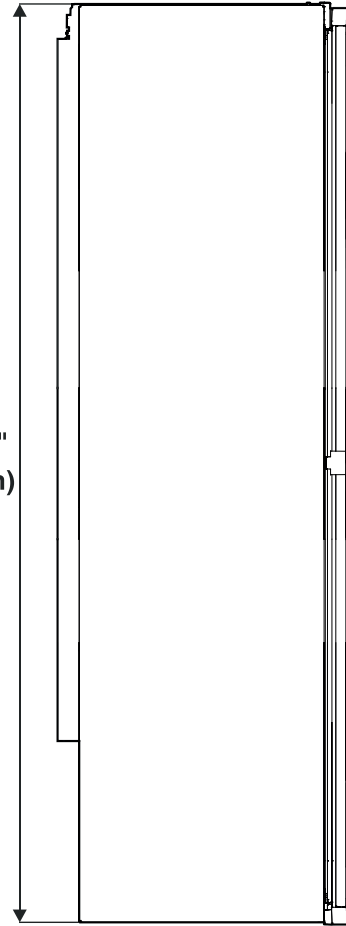
“Cabinet Base Grille”, see page 25

Wine

Built in Wine Cabinet HW 8000



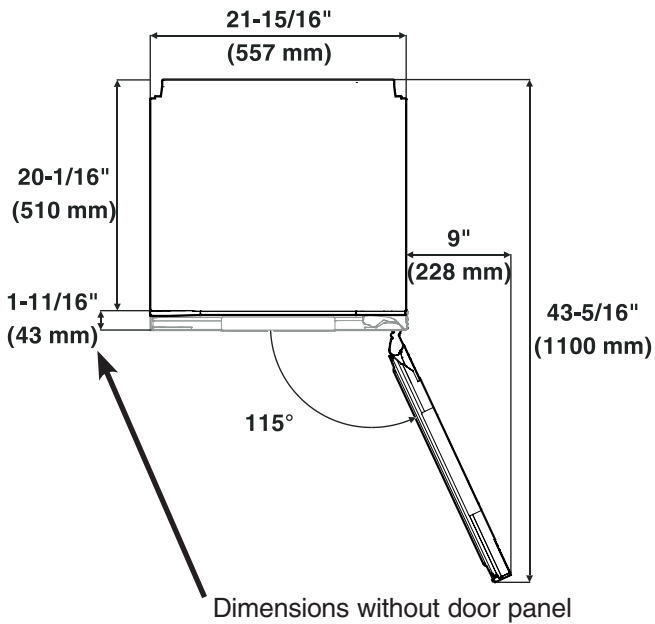
Side view



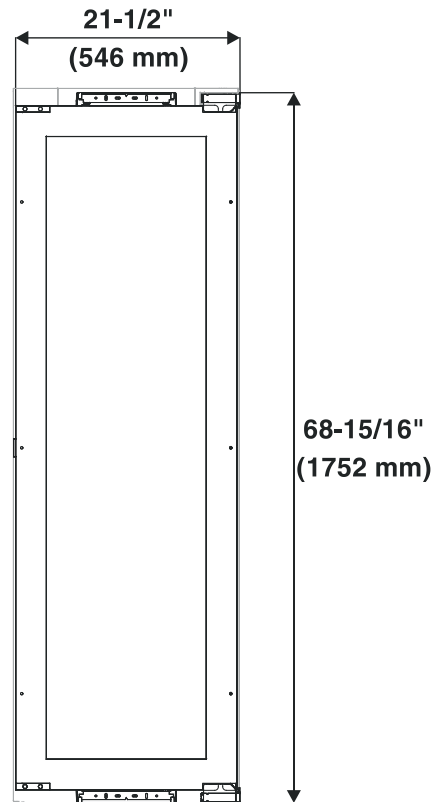
69-11/16"
(1770 mm)

Appliance Dimensions

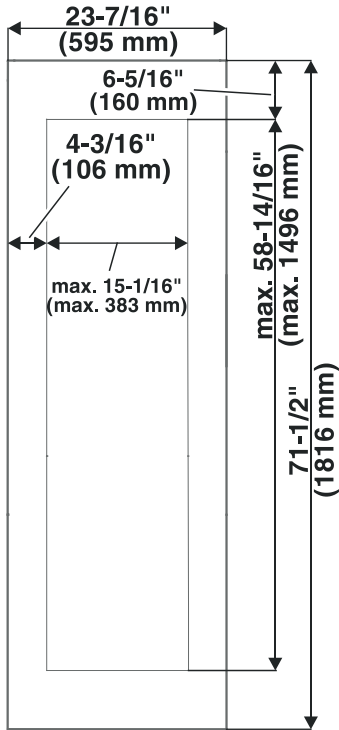
Top view



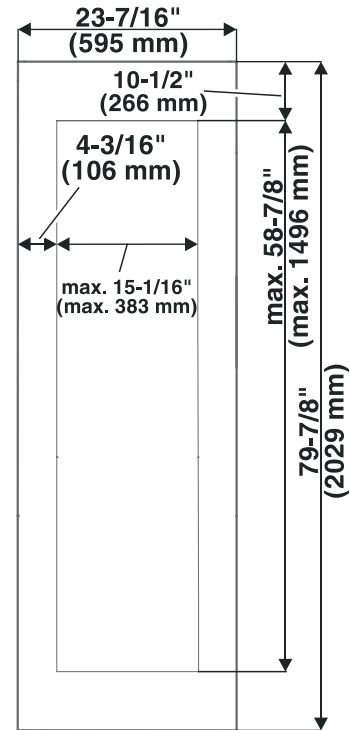
Dimensions of Appliance Door



Custom Panel Dimension



Custom panel dimension for 84"

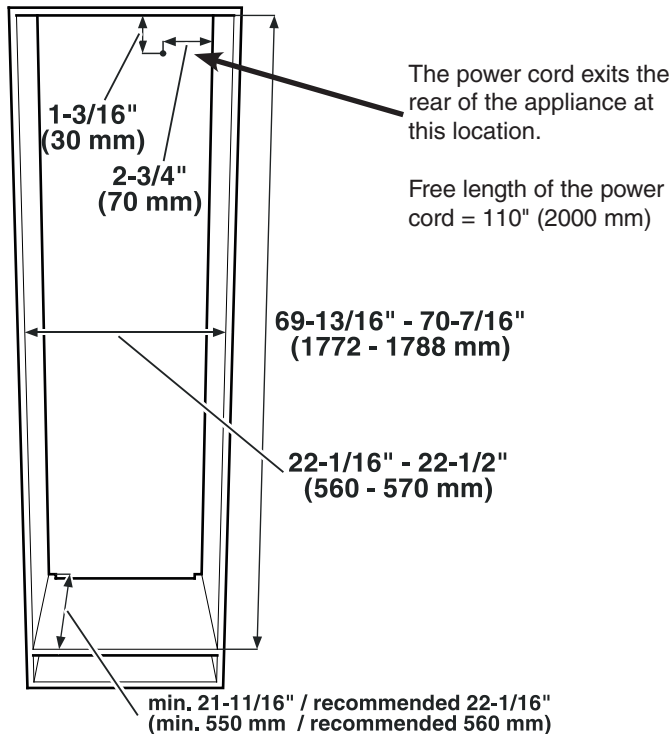


Maximum weight of the custom panel door is 44 lbs (20kg).
 The door should be at least 5/8 in. (16 mm) thick to allow the connecting rails to be fastened to it. The maximum thickness of the door panel can be 3/4 in. (19mm).

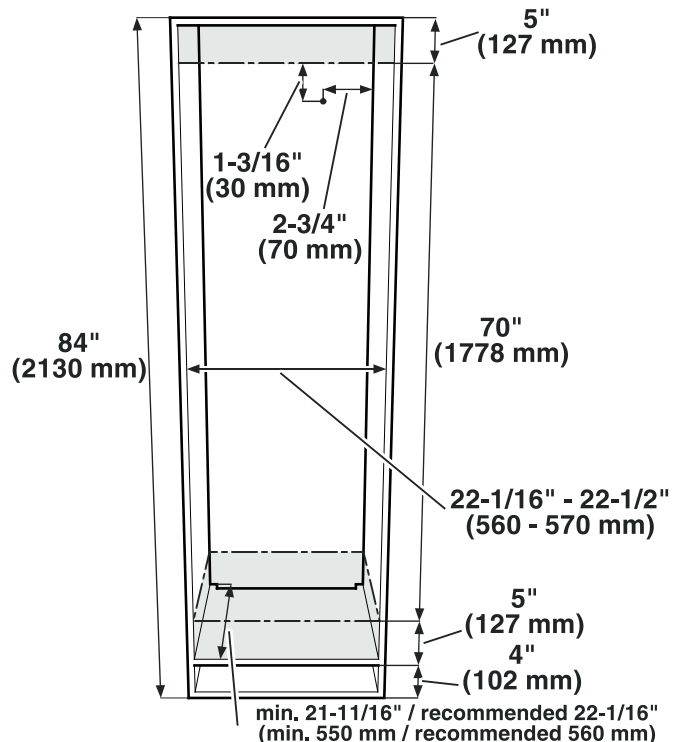
Installation at 84" height

This unit can be installed in a 84" niche installation, by raising the cabinet 10 inches above the toe kick, 5" below the unit and 5" on top as shown on cabinet dimensions below:

Cabinet Dimensions



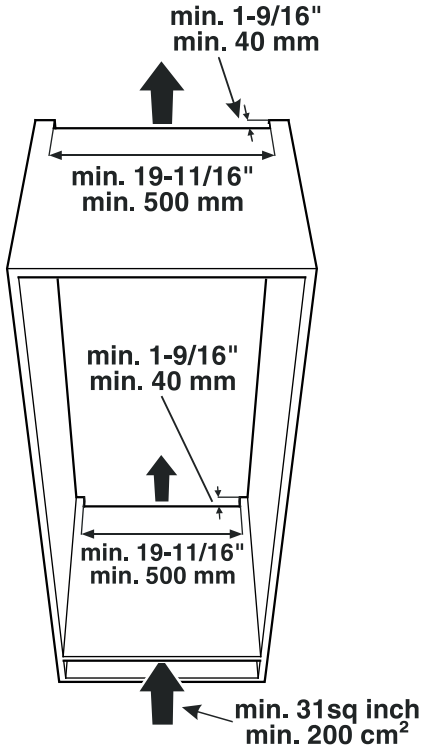
Cabinet Dimensions for 84"



IMPORTANT

The electrical outlet must not be situated behind the appliance and must be easily accessible.

Appliance Venting

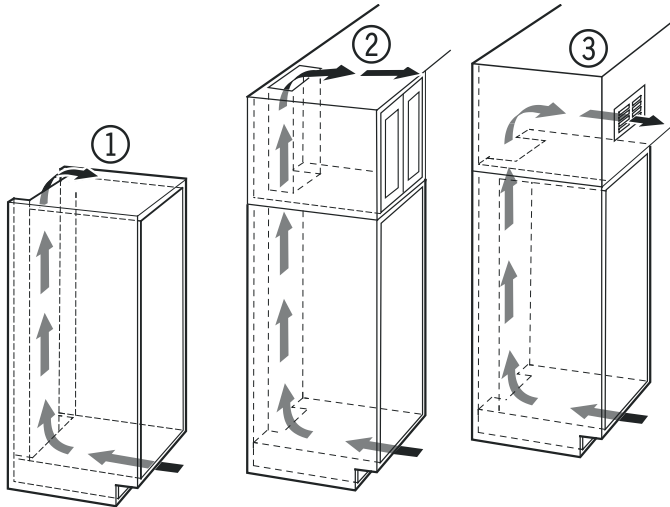


IMPORTANT

The clear ventilation cross section must be at least 31 sq inches from the lower to the top opening.

Types of air outlet

- ① Directly above the appliance
- ② Above the top unit
- ③ From the front of the top unit with decor grille



IMPORTANT

When using decor grilles, the sum of the individual openings must total a minimum of 31 square inches. A cut-out section of 31 square inches (200 cm²) for installing the ventilation grille is thus not sufficient.

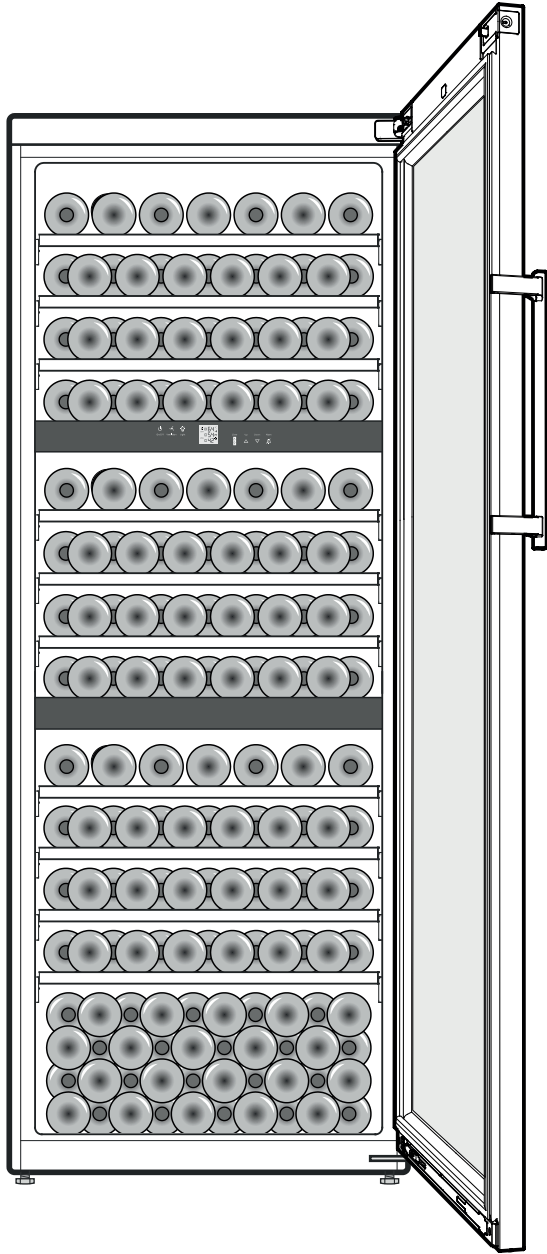
“Cabinet Base Grille”, see page 25

Wine

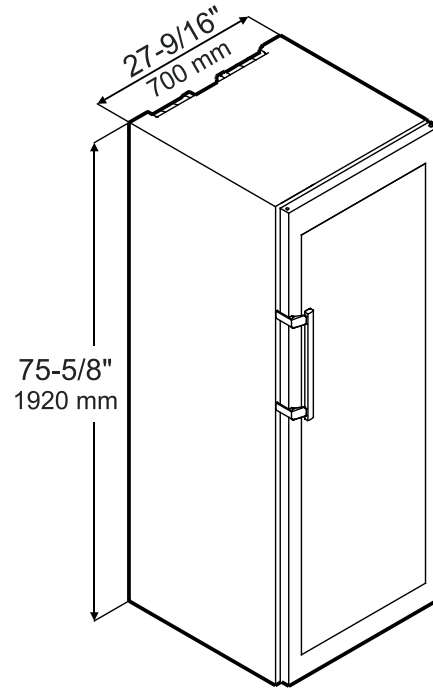
Freestanding Wine Cabinet WS 17800

Wine cooler with three temperature zones.

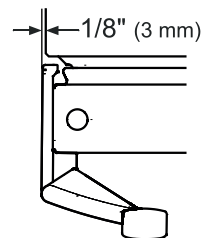
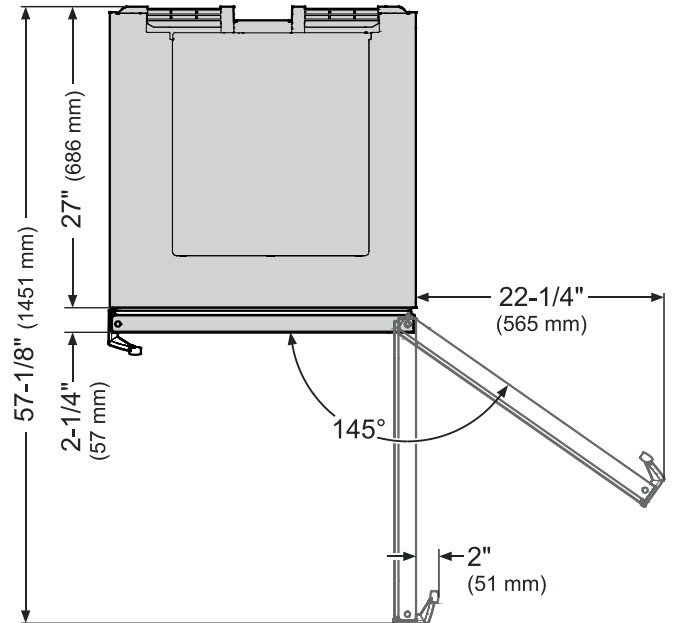
Every temperature zone can be adjusted separately and independent from the other zones.



Appliance Dimensions

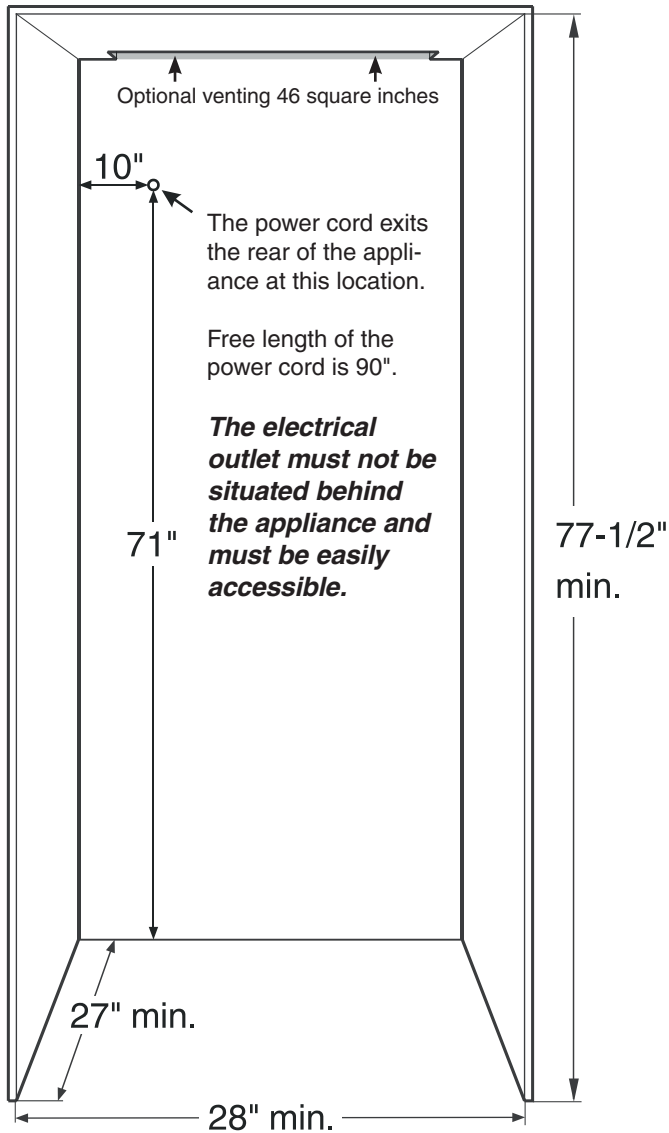


Appliance Dimensions Top view



The handle protrudes approx. 1/8" to the left side wall of the appliance.

Cabinet Opening Dimensions



The given cabinet opening height dimension includes 2" for ventilation.

If the appliance will be ventilated above the cabinet or in a soffit, the height dimension can be adjusted accordingly.

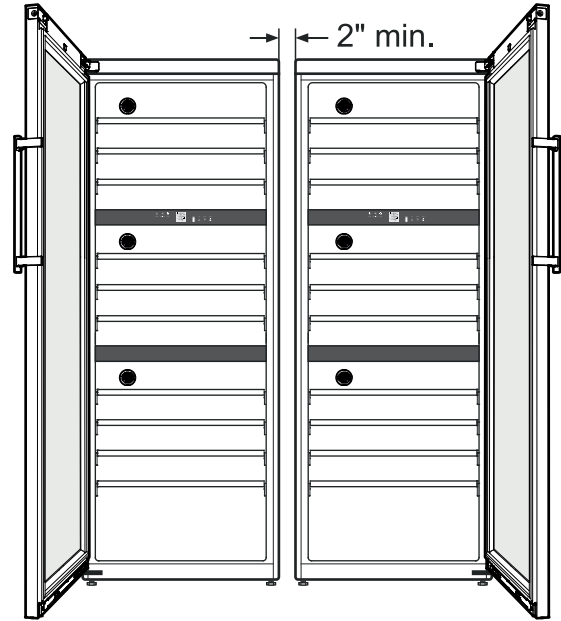
IMPORTANT

Minimum ventilation opening is 46 sq in !

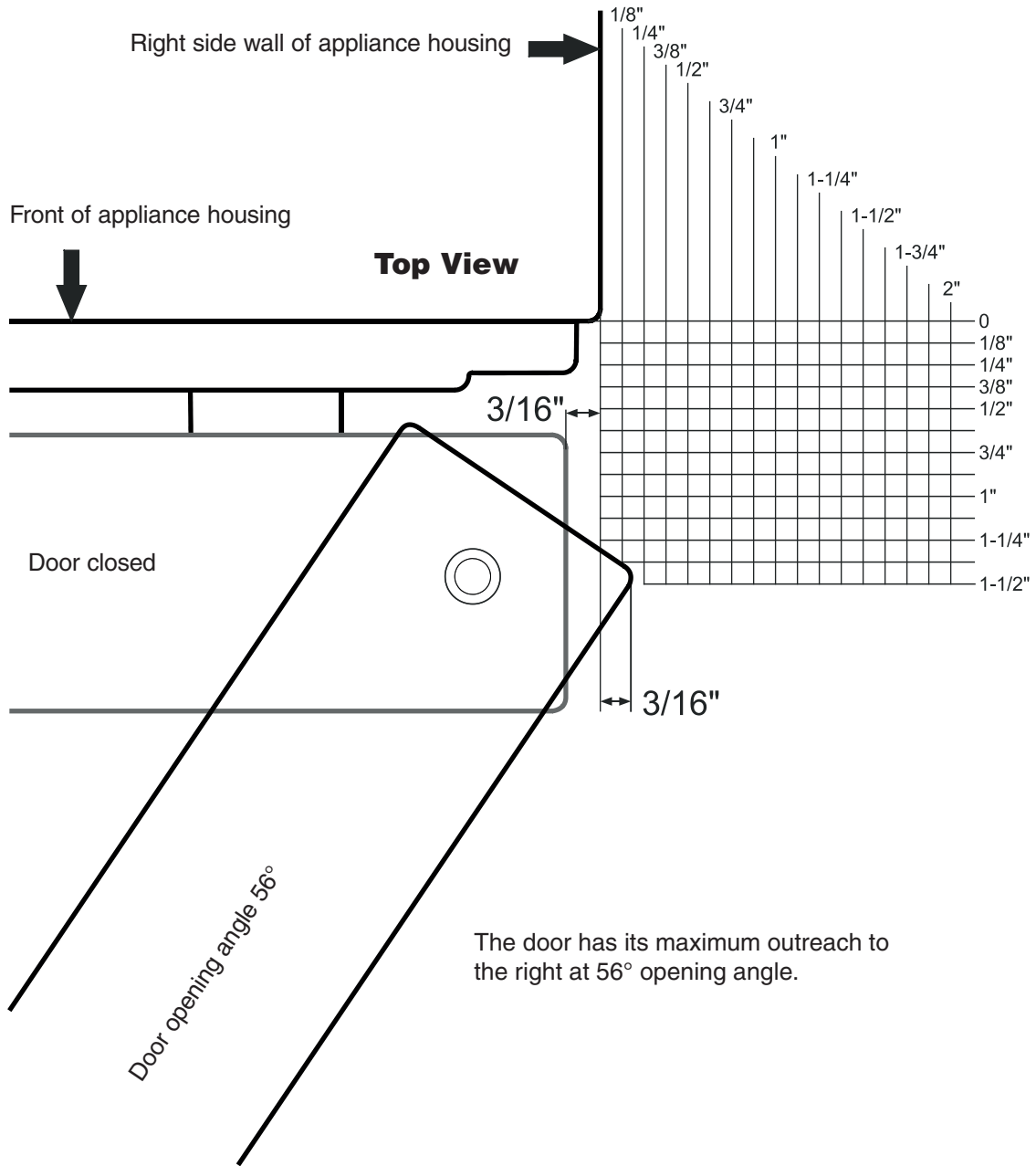
With a cabinet depth of 27", the front of the appliance housing is flush with the cabinet frame. (see chapter "Appliance Dimensions Top View")

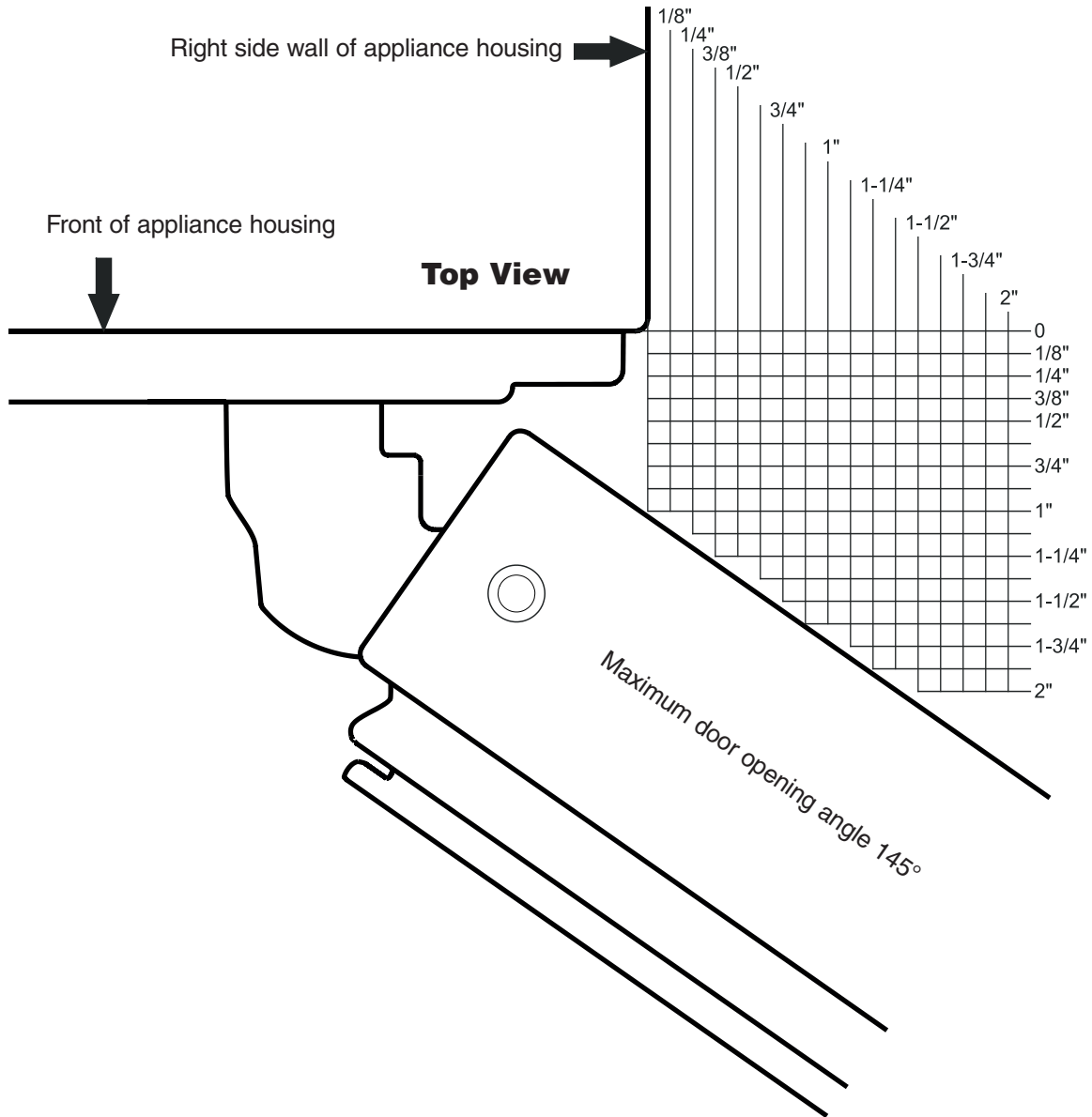
Side by Side WS 17800

To avoid condensation on the side walls at side by side applications a minimum distance of 2" between the appliances is required.



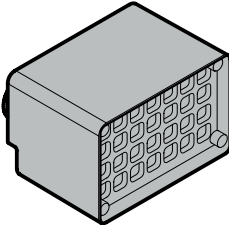
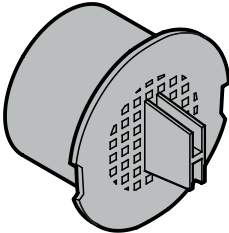
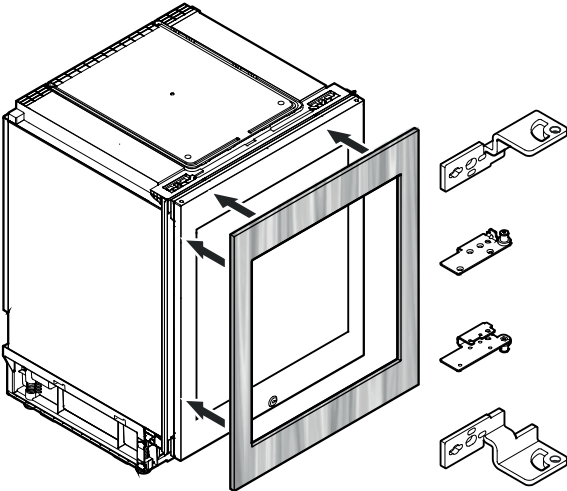

Door Swing Clearance WS 17800



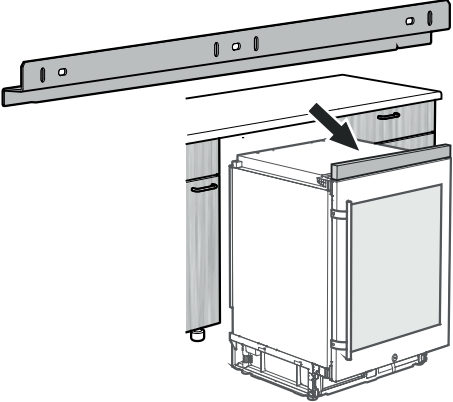
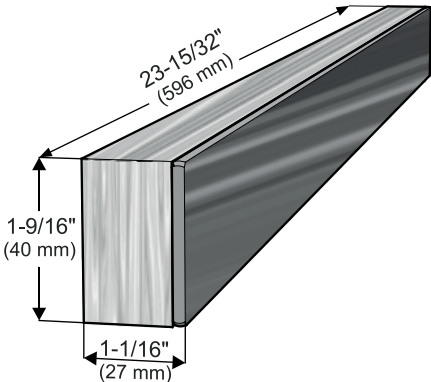
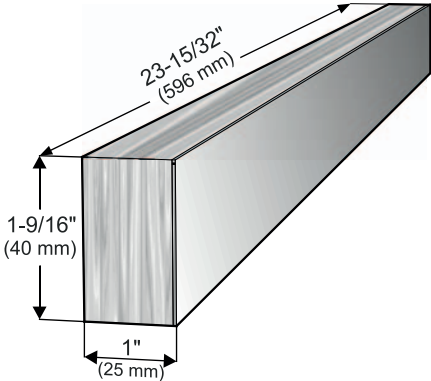
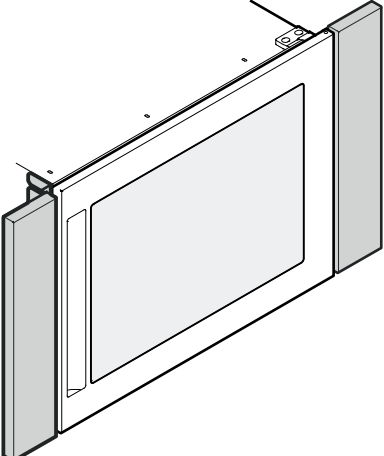


Wine

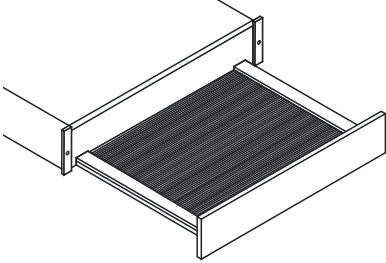
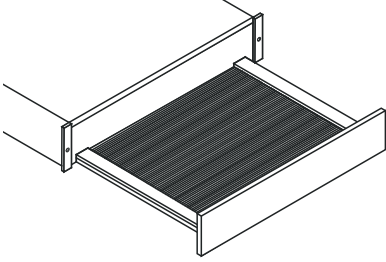
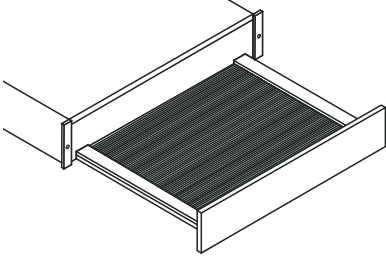
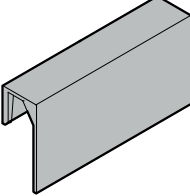
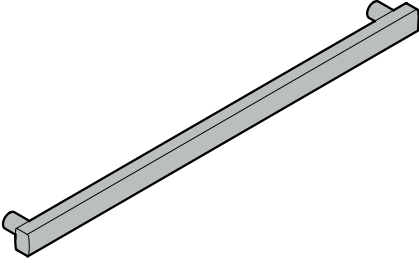
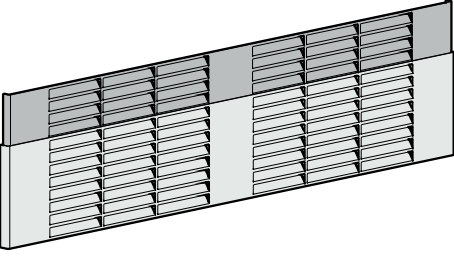
Accessories

Image	Article number	Name of the item	For use with model
	7434 557-00	Charcoal Filter	WU 3400 WUgb 3400 WU 4500 HWgb 1803 HWgw 1803 HWgb(w) 3300 HWgb(w) 5100 HWgb(w) 8300 HW 3000 HW 4800 HW 8000
	7440 999-00	Charcoal Filter	HWS 1800 WS 17800
	9590 131-00	Overlay Kit Includes hinges, brackets, screws and manual. Panel is not included.	WU 3400 WU 4500 RU 510
	9901 647-00	Side by Side Kit Includes angle brackets, screws and installation manual.	WU 3400 WUgb 3400 WU 4500 RU 510

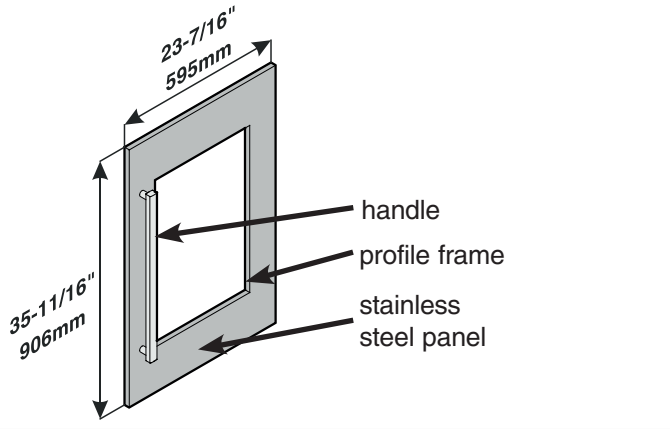
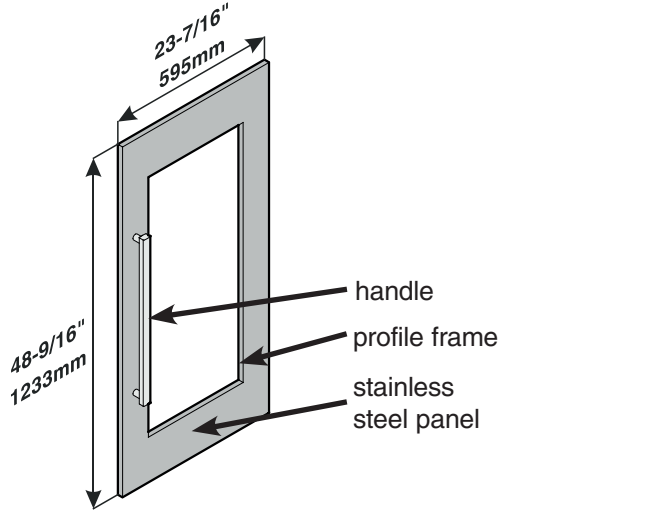
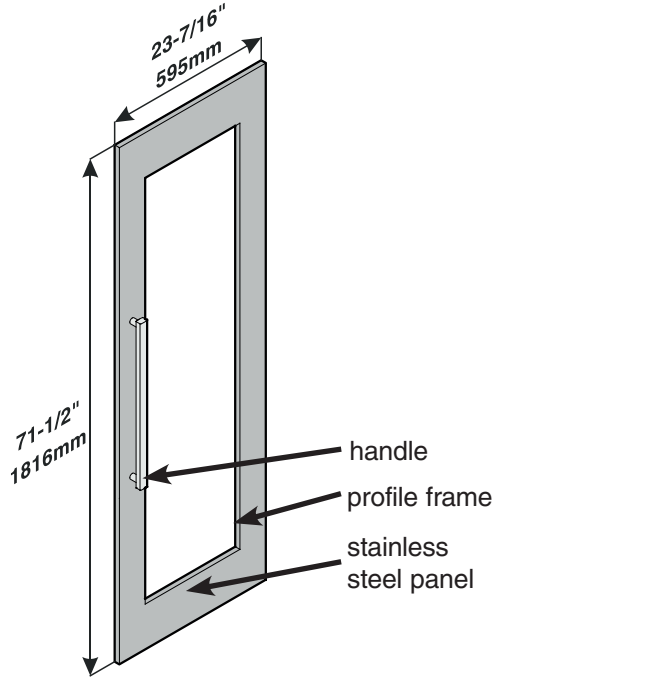
Wine

Image	Article number	Name of the item	For use with model
	9901 649-00	Angle bracket for cover panel One is included with the appliance. The bracket can be mounted at top or bottom of the appliance.	WU 3400 WUgb 3400 WU 4500 RU 510
	9901 599-00	Trim Kit Cover panel with black glass front (for use with angle bracket 9901 651-00)	WUgb 3400
	9901 601-00	Trim Kit Cover panel with stainless steel front (for use with angle bracket 9901 651-00)	WU 3400 WU 4500 RU 510
	9900 073-00	Trim Kit for 30" wide recess	HWS 1800

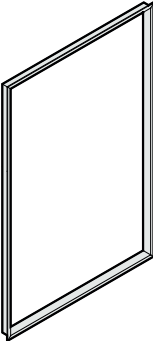
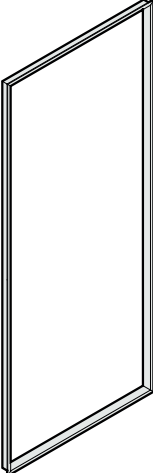
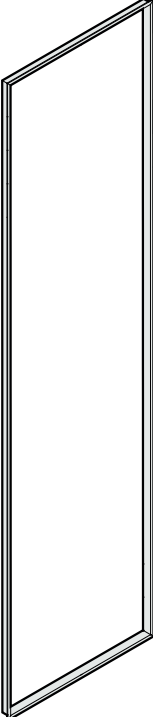
Wine

Image	Article number	Name of the item	For use with model
	9901 086-00	Accessory drawer white for White Tip Open wine Cabinet	HWgw 1803
	9901 085-00	Accessory drawer black for Black Tip Open wine cabinet	HWgb 1803
	9901 084-00	Accessory drawer stainless steel for stainless steel wine cabinet	HWS 1800
	9094 397-00	Labels (2 pieces)	HWgb(w) 3300 HWgb(w) 5100 HWgb(w) 8300 HW 3000 HW 4800 HW 8000
	9901 561-00	handle (aluminium anodized)	HW 3000 HW 4800 HW 8000
	551003363-S 551003363-B	Adjustable toe kick 4 - 6 1/2" height	WU 3400 WU 4500 WUgb 3400 RU 510

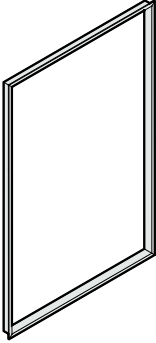
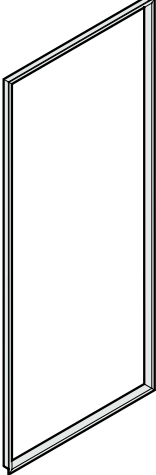
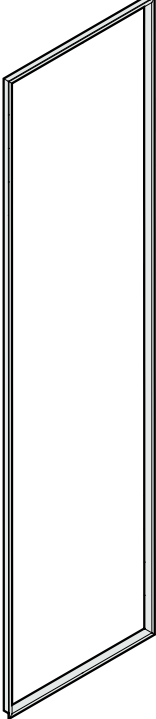
Wine

Image	Article number	Name of the item	For use with model
 <p>23-7/16" 595mm</p> <p>35-11/16" 906mm</p> <p>handle</p> <p>profile frame</p> <p>stainless steel panel</p>	9901 577-00	Stainless steel panel (with handle)	HW 3000
 <p>23-7/16" 595mm</p> <p>48-9/16" 1233mm</p> <p>handle</p> <p>profile frame</p> <p>stainless steel panel</p>	9901 575-00	Stainless steel panel (with handle)	HW 4800
 <p>23-7/16" 595mm</p> <p>71-1/2" 1816mm</p> <p>handle</p> <p>profile frame</p> <p>stainless steel panel</p>	9901 573-00	Stainless steel panel (with handle)	HW 8000

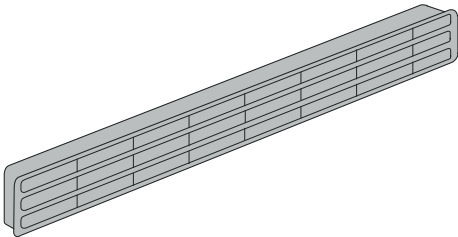
Wine

Image	Article number	Name of the item	For use with model
	9901 075-00	Profile frame 3/4" (19mm)	HW 3000
	9901 079-00	Profile frame 3/4" (19mm)	HW 4800
	9901 080-00	Profile frame 3/4" (19mm)	HW 8000

Wine

Image	Article number	Name of the item	For use with model
	9901 081-00	Profile frame 7/8" (22mm)	HW 3000
	9901 082-00	Profile frame 7/8" (22mm)	HW 4800
	9901 083-00	Profile frame 7/8" (22mm)	HW 8000

Wine

Image	Article number	Name of the item	For use with model
	7427 640-00	Ventillation grille	HW 3000 HWgb 3300 HWgw 3300 HW 4800 HWgb 5100 HWgw 5100 HW 8000 HWgb 8300 HWgw 8300

