



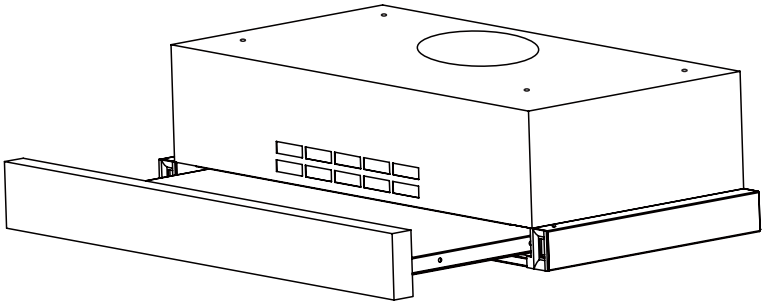
perfekt in form und funktion

**Perfekt Glide-24**

**Perfekt Glide-30**

**Perfekt Glide-36**

Built-in Range Hood Instruction Manual



Thank you for the purchase of this product. Please read the manual carefully before operating the appliance.

# Contents

Safety Precautions	2-5
Accessories	5
Features	6
Installation Preparation	6
Selecting Venting Direction	7
Cabinet Preparation for Hood Support	8-9
Preparation for Duct Connection	9
Hood Installation	10
Controls	11
Specifications	11
Use and Care	12
Trouble Shooting	13-14
Installation Diagram	15
Warranty Information	16

# Safety Precautions

READ AND SAVE THESE INSTRUCTIONS

**WARNING – to reduce risk of fire, electrical shock, or injury, observe the following:**

- Read all instructions before using the appliance
- Use this appliance only for its intended purpose as described in this user manual
- Do not use any accessories not recommended by the manufacturer
- This unit must be grounded
- Do not use this appliance for commercial use
- Do not use with any solid-state speed control device
- Installation work and electrical wiring must be done by qualified technicians in accordance with all applicable codes and standards, including fire-rates construction
- Sufficient air is needed for proper exhausting of gases of fuel burning equipment through the chimney to prevent back drafting. Follow the heating equipment manufacturer's guideline and safety standards
- When replacing an existing range hood with your new AEG Perfekt Glide range hood, turn OFF the electrical power to the existing unit before removal
- Unplug the unit before cleaning or servicing
- Do not repair or replace any part of the appliance or attempt servicing. **Note:** If for any reason this product requires service, please contact Euro-Parts 1-800-678-8352
- When cutting or drilling into wall or ceiling, be careful not to damage existing electrical wiring and other hidden utilities
- Ducted fans must always be vented to the outdoors

**WARNING – to reduce risk of cooktop grease fire:**

- Never leave cooking unattended at high settings. Boil-overs cause smoking and greasy spillovers may ignite. Heat oils slowly on low or medium settings
- Always turn the hood on when cooking at high heat or when cooking flaming food (i.e. Crepes Suzette, Cherries Jubilee, Flambés)
- Clean ventilation fans frequently. Do not allow grease to accumulate on the fan or filter
- Use proper sized pans that correspond to the size of the stove and the amount of food being cooked

**WARNING – to reduce risk of personal injury in the event of a cooktop grease fire:**

- Smother flames with a close-fitting lid, metal tray, or baking sheet. Then turn the burner OFF. BE CAREFUL TO AVOID BURNS. If the flames are not put out immediately, evacuate and call the fire department.
- NEVER pick-up a flaming pan
- DO NOT use water, including wet dishcloths or towels to put out a fire. A violent steam explosion may result
- Use a fire extinguisher only if:
  - a. You know that you have a Class ABC extinguisher and know how to use it
  - b. The fire is small and contained in the area it started
  - c. The fire department is being called
  - d. You can use the extinguisher with your back to an exit

## **CAUTION!**

**Important – observe all governing codes and ordinances.**

- For general ventilation use only. Do not use this appliance to exhaust hazardous or explosive materials and vapors
- To reduce the risk of fire, use only metal duct work
- To avoid damage to motor or other components, keep drywall spray, construction dust, etc. off the power unit
- Please read the specification label on product for further information and requirements
- To reduce risk of fire and exhaust air, be sure to duct air outside. Do not vent exhaust air into space within wall or ceiling, or into attic, crawl space or garage

## **CAUTION!**

### **Grounding Instructions**

- This appliance must be grounded. In the event of an electrical short circuit, grounding reduces the risk of electrical shock by providing an escape wire for the electrical current. This appliance is equipped with a cord having a grounding wire with a grounding plug. The plug must be plugged into an outlet that is properly installed and grounded.
- Improper grounding can result in a risk of electric shock. Consult a qualified electrician if the grounding instructions are not properly understood, or if doubt exists as to whether the appliance is properly grounded. Do not use an extension cord. If the power supply cord is too short, have a qualified electrician install an outlet near the appliance

## CAUTION!

- Do not operate any fan with a damaged cord or plug. Discard fan or return to an authorized service facility for examination and/or repair
- Do not run cord under carpeting. Do not cover cord with throw rugs, runners, or similar coverings. Do not route cord under furniture or appliances. Arrange cord away from traffic area and where it will not be tripped over.

## Accessories

### Range hood accessories provided:

- 1 x Range hood
- 4 x ST4x35 screws
- 4 x  $\Phi 6$  Washers
- 2 x Filters
- 1 x User manual
- 5 x ST4x8 screws
- Ducting outlet
- Additional handle rail (Bigger handle rail is for recirculation mode, Smaller Handle rail is for Duct connection)
- PVC Cover (Maybe fitted on hoods for ducting mode)

Check to make sure that all parts and accessories are present and in good condition. If you find that they are not in good condition or missing, please contact Euro-Parts for assistance 1-800-678-8352

## Features

- This appliance is manufactured from top quality materials, and offers superb streamlined effects
- With high suction power and low noise, it is designed to remove cooking fumes from your kitchen quietly and effectively

## Installation Preparation

Note: this procedure will require 2 people for easier installation

### General Preparation

- Remove range from packaging and lay upside down on table covered with cardboard or paper to prevent scratching of the hood or table
- Be sure the power switch is set to OFF

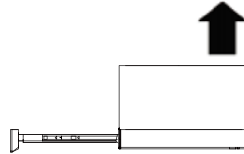
### Tools needed for installation:

- Drill
- 1/8" drill bit for pilot holes
- 1-1/4" wood bit for drilling electrical wiring access hole
- Phillips head screwdriver
- Flat-head screwdriver
- Pliers
- Pencil, ruler and level for marking range hood location
- Hand saw or jig saw for cutting the wall or cabinet openings
- Duct tape
- Electrical tape
- Connector clamp

## Selecting the Venting Direction

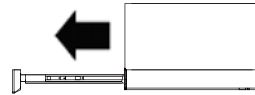
The range hood can be used for either vertical or ductless air discharge. It is set up for vertical discharge.

**Vertical Discharge** - Vertical discharge is the most common method of hood installation. If your kitchen has an attic space above, the ducting may be run through the cupboard and the attic to a roof cap. Use a 6" round duct (not included).



Another option, if your kitchen has a soffit above the cabinet, is to run the duct up into the soffit and then discharge the air horizontally through the outside wall to a wall cap.

**Ductless** – In ductless installations, air is vented back into the kitchen through the opening in the range hood grille. If



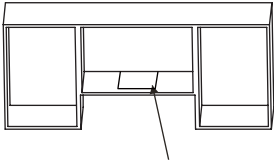
you do not anticipate heavy cooking, this method is preferable. Ductless installation requires the use of charcoal filters\* to remove odors, which should be replaced at regular intervals depending on use. Check with your local retailer or dealer for replacements. **Note:** This filter is not dishwasher safe!

\*If hood is to be installed non-ducted, install a charcoal filter, purchased separately.



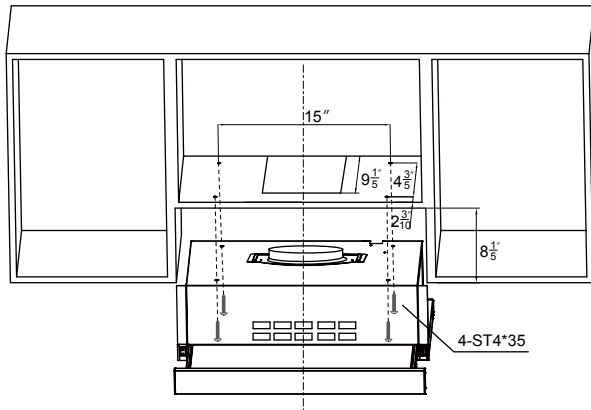
## Cabinet Preparation for Hood Support

The range hood should be mounted at a distance of 24" from an electric or induction cooktop, and 30" above a gas cooktop for safety and optimum performance.



If you install the hood with a duct, you will need to provide a hole for the duct. Please use the template provided to locate the hole.

Use the diagram below for proper placement of ductwork and electrical cutout in cabinet. For a non-ducted installation, DO NOT cut a duct access hole.



**Warning!** When cutting or drilling into wall or cabinet, be careful not to cut existing electrical wiring.

1. If the bottom of the cabinet is recessed above the bottom of the cabinet door, then it is necessary to install wood strips on each side of the recessed area on the bottom of the cabinet where the range hood will be mounted. The wood strips should line up with the 4 keyhole slots on the top of the range hood.

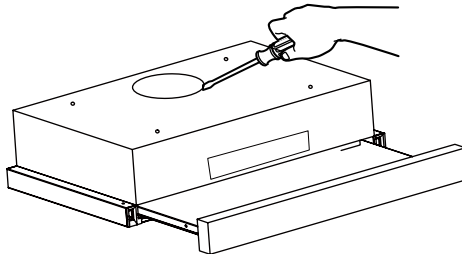
Fasten the wood strips with wood screws about 3" from each end.

**NOTE:** the thickness of the wood strips should be slightly more than the recessed dimension. The length should be cut to size.

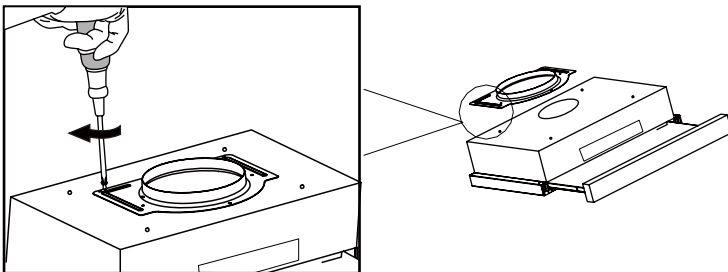
2. Measure and mark the electrical wiring opening in the wall or the cabinet. If the hood is to be vented, also mark and measure the duct opening in the wall or cabinet.

## Preparation for Duct Connection

When you choose the Ducting mode, screwdriver wind board fixed hood, ensure the PVC cover fixed on recirculation holes, keep the small handle rail installed on hood

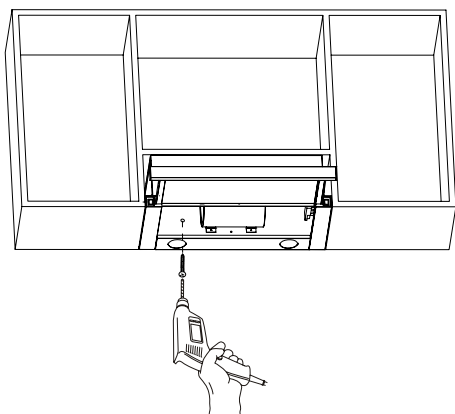


Before installing the range hood, please first fix the outlet on the air duct hole of the hood.



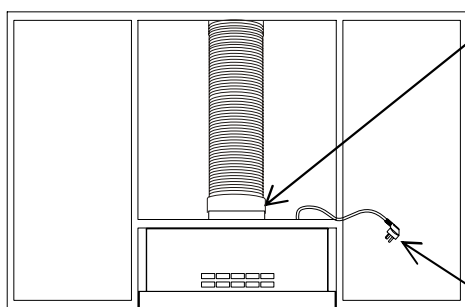
When you choose recirculation mode, keep the PVC cover removed from hood get recirculation holes out. Keep the bigger handle rail installed on hood.

## Hood Installation



Lift the hood to the proper position in the cabinet, fix the self-tapping screw with washers. Follow the middle four holes on the top shelf inside of the hood.

**Caution!** Do not damage the parts inside the hood.



Duct connection

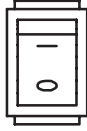
Connect the ductwork on the hood, using duct tape to make joints secure and air tight.

Power cord

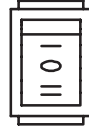
Your new range hood will operate at the highest efficiency if the number of elbows and the length of the duct are kept to a minimum.

**WARNING:** TO REDUCE THE RISK OF FIRE, USE ONLY METAL DUCTWORK AND DUCT CONNECTION DEVICE.

## Controls



lamp switch



motor switch

- The hood is turned on when you pull out the slide.
- The lamp switch is located on the left side of the hood
- The fan switch is located on the right side
- The fan has 3 settings: off, low speed and high speed

## Specifications

### Perfekt Glide-24

<b>Power Supply</b>	110-120V~, 60Hz
<b>Rated Input Power</b>	72W
<b>Lighting Power</b>	2 x 1W
<b>Motor Power</b>	70W
<b>Airflow</b>	260 CFM
<b>Outlet Diameter</b>	6"

### Perfekt Glide-30

<b>Power Supply</b>	110-120V~, 60Hz
<b>Rated Input Power</b>	72W
<b>Lighting Power</b>	2 x 1W
<b>Motor Power</b>	70W
<b>Airflow</b>	260 CFM
<b>Outlet Diameter</b>	6"

### Perfekt Glide-36

<b>Power Supply</b>	110-120V~, 60Hz
<b>Rated Input Power</b>	72W
<b>Lighting Power</b>	2 x 1W
<b>Motor Power</b>	70W
<b>Airflow</b>	260 CFM
<b>Outlet Diameter</b>	6"

## Use and Care

### **Filter**

For highest efficiency, this filter should be removed and cleaned periodically. Soak the filter in hot water and mild soap or detergent. Rinse thoroughly and repeat if necessary. The filter may be cleaned in the dishwasher. Heavy grease buildup may not be cleaned easily, thus the filter may need to be replaced.

### **Charcoal Filter**

Inspect this filter periodically. This filter cannot be cleaned and must be replaced.

### **Light Bulb**

This model specifies 2 x 1W LED light bulbs.

### **Exterior surface**

Wipe the range hood exterior with a soft cloth and a mild detergent suitable for painted surfaces. Do NOT use abrasive materials such as steel wool pads or scouring pads.

### **Repair or Replacement Parts**

Warning! Disconnect range hood from the electrical power supply before servicing.

All parts may be obtained from Euro-Parts 1-800-678-8352. When ordering parts, please specify the range hood model number on the rating label, which is located on the inside of the range hood.

## Trouble Shooting

If any problem occurs, please detach the plug from the socket and contact Euro-Parts or a similarly qualified person in order to avoid a hazard.

### **Fan does not turn on (but light turns on).**

This is probably due to either a defective fan switch or a burned out fan motor. Both can be replaced without removing the range hood from the wall or cabinet. Use an ohm meter to determine which component is not working. If the ohm meter reads that the fan switch has 0 ohms of resistance, then it is the motor that needs to be replaced. If it reads anything other than zero, then the switch must be replaced.

### **Fan only runs at once speed.**

Please see above instructions.

### **Fan circulates air, but does not vent outside.**

If air is blowing through the front vent openings, then your range has been installed for ductless operation. In order to convert the system to vent outside, a technician must install ductwork from the range hood through either an outside wall or the roof.

If air is not blowing from the front vent openings, check inside the cabinet about the range hood. If you see a duct leading away from the vent hood, then you have a system that vents to the outdoors. If you do not see a duct, your unit may be venting through the back wall.

**Light does not turn on (but fan turns on).**

This could be because the bulb has burned out. Try replacing the light bulb. If the light still does not work, either the light switch or the lamp-holder socket is defective. Both can be replaced without removing the range from the wall or cabinet.

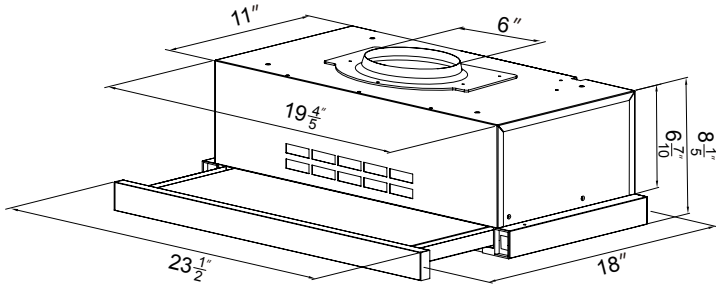
**Range hood does not turn on at all.**

Check for a tripped circuit breaker or a blown fuse, since the range hood is wired directly to your household electrical system.

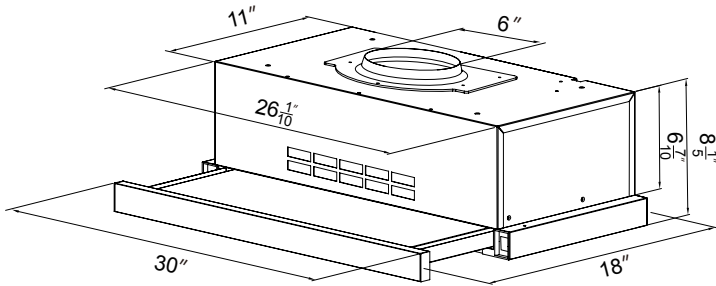
**NOTE:** All work must be performed by a qualified licensed technician.

## Installation Diagram

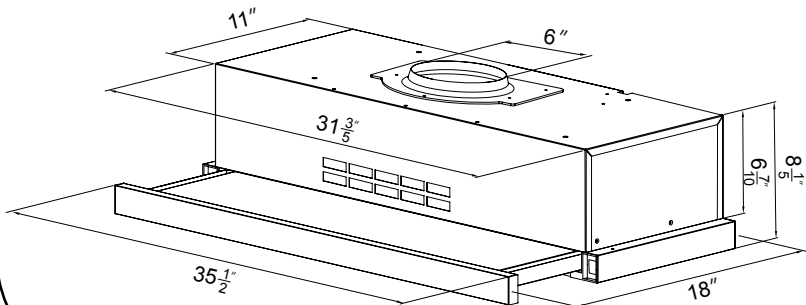
### Perfekt Glide-24



### Perfekt Glide-30



### Perfekt Glide-36





## Warranty

AEG Appliances are imported and distributed in North America by Euro-Line Appliances Inc.

For more information visit [www.euro-line-appliances.com](http://www.euro-line-appliances.com) or contact:

**EURO-LINE APPLIANCES INC.**

871 Cranberry Court,  
Oakville, Ontario. L6L6J7  
Canada

Tel 905-829.3980

1-800-421-6332 – Euro-Line Appliances Inc.

1-800-ELA-WEST – Euro-Line Appliances West

[marketing@euro-line-appliances.com](mailto:marketing@euro-line-appliances.com)

All AEG Appliances are backed by a comprehensive 2-year part and labour warranty. Information on service and parts available from Euro-Parts at 1-800-678-8352

Notice: "AEG is a registered Trademark used under license from AB Electrolux (publ)"