

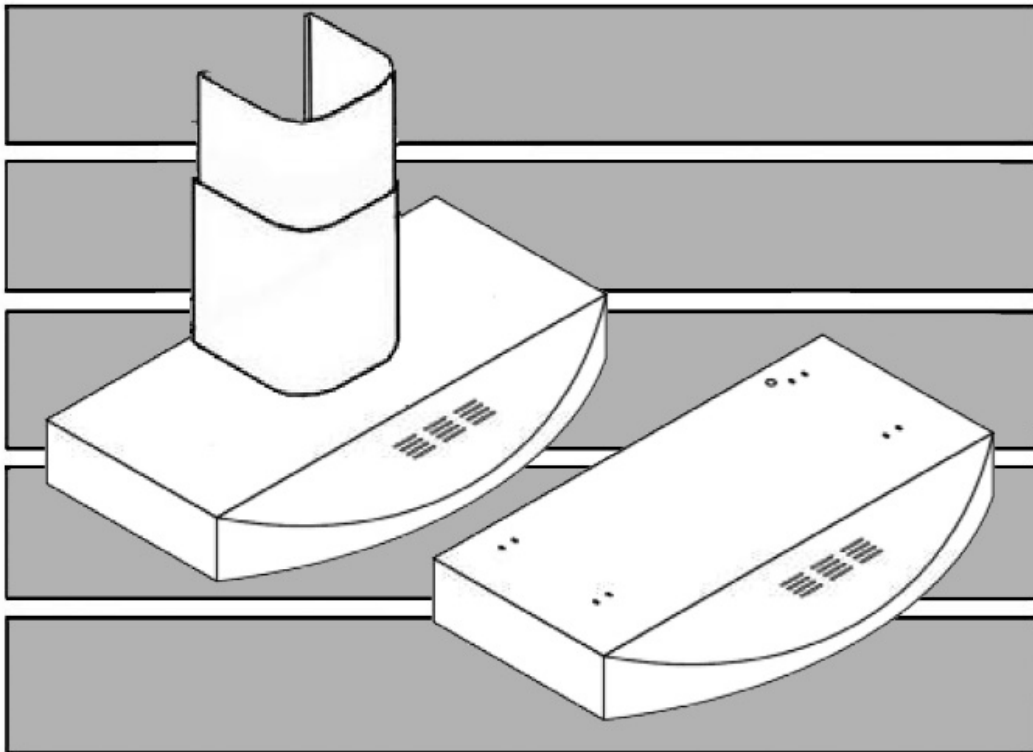
KOBE® KOBE Range Hoods

Brillia Series

Model No.:

Under Cabinet: CHX3830SQBD-3 (30")
CHX3836SQBD-3 (36")

Wall Mount: CHX3830SQBD-WM-3 (30")
CHX3836SQBD-WM-3 (36")



INSTALLATION INSTRUCTIONS
AND OPERATION MANUAL

IMPORTANT READ THIS FIRST

READ BEFORE INSTALLATION

1. Carefully check all contents of packages.
2. Thoroughly inspect the unit for any shipping damages, cosmetic damages or defects.
3. Have a certified contractor/electrician test the unit before installation.

IF THERE IS ANY PROBLEM:

1. **DO NOT INSTALL THE UNIT AND KEEP ALL ORIGINAL PACKAGING MATERIAL.**
2. Have your original invoice as proof of purchase and product serial number ready.
3. Contact your merchant for product replacement due to shipping damages, cosmetic damages or defects.
4. For all other issues, call 1-877-BUY-KOBE (289-5623), or e-mail to info@koberangehoods.com .

NO RETURN, NO REFUND, NO EXCHANGE IF:

1. PRODUCT HAS BEEN INSTALLED
2. KNOCK-OUT HOLES HAVE BEEN PUNCTURED
3. MISSING ORIGINAL PACKAGING MATERIAL
AND/OR PARTS

[ENGLISH]

- READ AND SAVE THESE INSTRUCTIONS -

CONTENTS

IMPORTANT SAFETY INSTRUCTIONS.....	1
COMPONENTS OF PACKAGE.....	3
INSTALLATION.....	4
OPERATING INSTRUCTIONS.....	10
MAINTENANCE.....	11
SPECIFICATIONS.....	12
MEASUREMENTS & DIAGRAMS.....	13
PARTS LIST.....	15
CIRCUIT DIAGRAM.....	17
TROUBLE SHOOTING.....	18
WARRANTY.....	19
WARRANTY INFORMATION FORM.....	21

- READ ALL INSTRUCTIONS CAREFULLY BEFORE STARTING -

ALL WIRING MUST BE DONE BY A PROFESSIONAL AND IN ACCORDANCE WITH NATIONAL AND LOCAL ELECTRICAL CODES



IMPORTANT SAFETY INSTRUCTIONS

- PLEASE READ THIS SECTION CAREFULLY BEFORE INSTALLATION -

⚠WARNING: TO REDUCE THE RISK OF FIRE, ELECTRIC SHOCK OR PERSONAL INJURY, OBSERVE THE FOLLOWING:

- 1) Installation and electrical wiring must be done by qualified professionals and in accordance with all applicable codes and standards, including fire-rated construction.
- 2) When cutting or drilling into wall or ceiling, be careful not to damage electrical wiring or other hidden utilities.
- 3) Ducted fans must be vented to the outside.
 - a) Before servicing or cleaning unit, open the light panel and SWITCH POWER OFF AT SERVICE PANEL.
 - b) Clean all grease laden surfaces frequently. To reduce the risk of fire and to disperse air properly, make sure to vent air outside. DO NOT vent exhaust air into wall spaces, attics, crawl spaces or garages.

- NOTE
- This warranty is void without an authorized agent's receipt or if unit is damaged due to misuse, poor installation, improper use, mistreatment, negligence or any other circumstances beyond the control of KOBE RANGE HOODS authorized agents. Any repair carried out without the supervision of KOBE RANGE HOODS authorized agents will automatically void the warranty.
 - KOBE RANGE HOODS will not be held responsible for any damages to personal property or real estate or any bodily injuries whether caused directly or indirectly by the range hood.

⚠WARNING: TO REDUCE THE RISK OF PERSONAL INJURY IN THE EVENT OF A RANGE TOP GREASE FIRE:

1. Keep all fan, baffle/spacer/filter/oil tunnel/oil container and grease-laden surfaces clean. Grease should not be allowed to accumulate on fan, baffle/spacer/filter/oil tunnel/oil container.
2. Always turn hood ON when cooking.
3. Use high settings on cooking range ONLY when necessary.
4. Do not leave cooking range unattended when cooking.
5. Always use cookware and utensils appropriate for the type and amount of food prepared.
6. Use this unit only in the manner intended by the manufacturer.
7. Before servicing, switch power off at service panel and lock service panel (if possible) to prevent power from switching on accidentally.
8. Clean ventilating fan frequently.

What to Do In The Event Of a Range Top Grease Fire

- SMOTHER FLAMES with a tight fitting lid, cookie sheet, or metal tray, and then turn off the burner. KEEP FLAMMABLE OR COMBUSTIBLE MATERIAL AWAY FROM FLAMES. If the flames do not go out immediately, EVACUATE THE AREA AND CALL THE FIRE DEPARTMENT or 911.
- NEVER PICK UP A BURNING PAN – You May Get Burned.
- DO NOT USE WATER, including wet dishcloths or towels – a steam blast will result.
- Use an extinguisher ONLY if:
 - a) You have a Class A, B, C extinguisher and know how to operate it.
 - b) The fire is small and contained in the area where it started.
 - c) The fire department has been called.
 - d) You can fight the fire with your back to an exit.

What to Do If You Smell Gas

- Extinguish any open flame.
- Do not try to turn on the lights or any type of appliance.
- Open all doors and windows to disperse the gas. If you still smell gas, call the Gas Company and Fire Department right away.

CAUTION

- 1) For general ventilation use only. Do not use to exhaust hazardous or explosive materials and vapors.
- 2) To reduce the risk of fire, use only metal ductwork. Sufficient air is needed for proper combustion and exhausting of gases through the flue (chimney) to prevent back drafting.
- 3) Follow the heating equipment manufacturer's guideline and safety standards such as those published by the National Fire Protection Association (NFPA), and the American Society for Heating, Refrigeration and Air Conditioning Engineers (ASHRAE), and code authorities.
- 4) Activating any switch on may cause ignition or an explosion.
- 5) Due to the size and weight of this hood, installation by 2 persons is recommended.

WARNING



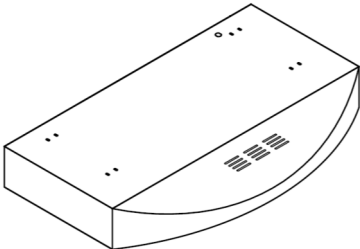


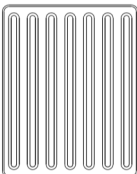
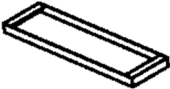
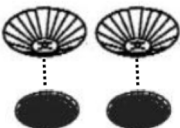
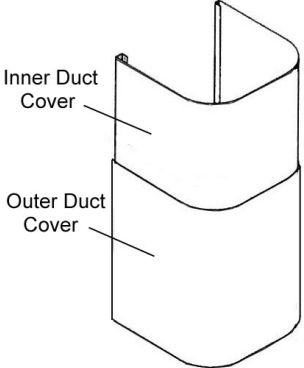

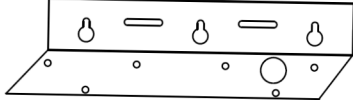
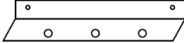
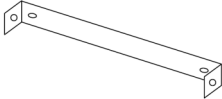
ELECTRICAL SHOCK HAZARD – Can result in serious injury or death. Disconnect appliance from electric power before servicing. If equipped, the fluorescent light bulb contains small amounts of mercury, which must be recycled or disposed of according to Local, State, and Federal Codes.

COMPONENTS OF PACKAGE

(Must keep all material for returns or refunds)

MODEL NO.: For Under Cabinet Application
 CHX3830SQBD-3 (30")
 CHX3836SQBD-3 (36")

For Wall Mount Application
 CHX3830SQBD-WM-3 (30")
 CHX3836SQBD-WM-3 (36")

Range Hood Box	Duct Cover Box (Included in Wall Mount Hood ONLY) CH1120DC-1
<p>{A} KOBE Range Hood {B} Warranty Registration Card {C} Quick Reference Guide {D} Baffle Filters x 2 (30" hood) x 3 (36" hood) {E} Stainless Steel Spacer x 2 (30" hood) {F} Charcoal Filter set x 2</p>	<p>{G} Adjustable Duct Cover {H} Screws Package {I} Hood-Mounting Bracket {J} Duct Cover Support x 2 {K} Duct Cover-Mounting Bracket</p>
<p>{A} </p> <p>{B}  {C} </p> <p>{D}  {E}  Knob attached to baffle filter Spacer attached to hood (30" only)</p> <p>{F} </p>	<p>{G} </p> <p>{H}  x 3/8" (6 PCS)</p> <p>{I} </p> <p>{J}  2 PCS</p> <p>{K} </p>

◆ FOR MORE INFORMATION, PLEASE VISIT OUR WEBSITE www.koberangehoods.com OR CONTACT KOBE RANGE HOODS AT (626) 775-8880.

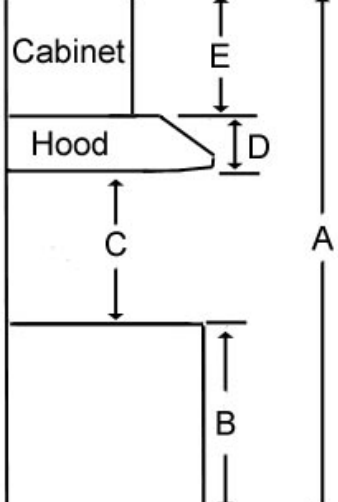
INSTALLATION

PLEASE READ ENTIRE INSTRUCTIONS BEFORE PROCEEDING

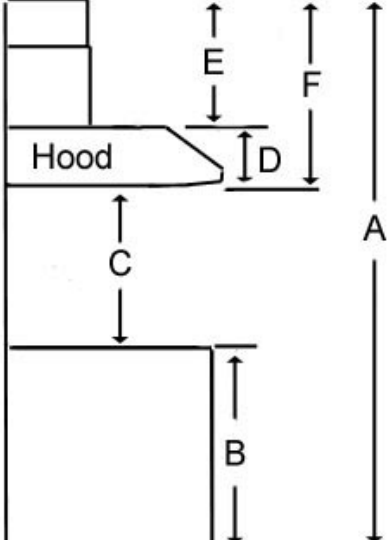
Calculation before Installation

To calculate installation, please refer to TABLE 1 and TABLE 2. (All calculation in inches.)

- FOR UNDER THE CABINET -

<p>TABLE 1</p> <p>A = Height of Floor to Ceiling B = Height of Floor to Counter Top (Standard: 36") C = Preferred Height of Counter Top to Hood Bottom (Minimum 26" to 30") D = Height of Hood E = Height of the Cabinet</p>	
---	---

- FOR WALL MOUNT (WITH OPTIONAL DUCT COVER) -

<p>TABLE 2</p> <p>A = Height of Floor to Ceiling B = Height of Floor to Counter Top (Standard: 36") C = Preferred Height of Counter Top to Hood Bottom (Minimum 26" to 30") D = Height of Hood E = Height of Duct Cover [F – D] F = Height of the Hood Installation [A – (B+C)]</p>	
--	--

⚠ SAFETY WARNING

HOOD MAY HAVE VERY SHARP EDGES; PLEASE WEAR PROTECTIVE GLOVES IF REMOVING ANY PARTS FOR INSTALLING, CLEANING OR SERVICING.

NOTE: BE CAREFUL WHEN USING ELECTRICAL SCREWDRIVER, DAMAGE TO THE HOOD MAY OCCUR.

Installation Contents

UNDER THE CABINET	6
WALL MOUNT	8

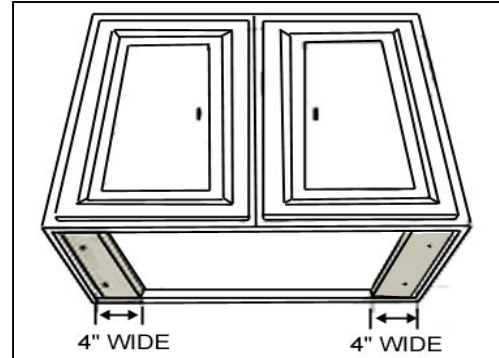
UNDER CABINET INSTALLATION

MODEL NO.: CHX3830SQBD-3 (30")
CHX3836SQBD-3 (36")

Preparation before Installation

- Temporarily wire the hood to test for proper operation before installing. If the hood does not operate, check the circuit breaker or house fuse. If the hood is still not working, disconnect power supply and check the continuity of all wire connections.
- Peel protective film off the hood (if any).
- For installing under the cabinet with recessed bottom, attach 4-inch wide wood filler strips (not included) on each side. (Figure 1)
- Using reference on Page 13 to measure and create access opening for electrical wires and exhaust under the cabinet.

Figure 1



Hood Installation

⚠ CAUTION: If moving the cooking range is necessary to install the hood, turn off the power in an electric range at the main electrical box. SHUT OFF THE GAS BEFORE MOVING A GAS RANGE. And use a protective covering to protect cooktop and/or countertop from damage.

1. Remove the bottom casing or baffle filters/stainless steel spacers if necessary; arrange the electrical wires to run through the 1" diameter hole on the top or the rear of the hood.
2. Using references on Table 1 and measurements on page 13, center the hood in place beneath the cabinet and flush with the front of the cabinet.
3. Draw electrical wires through cabinet access opening.
4. Use electrical drill to remove the knockout holes on top of the range hood.
5. Place screw (not provided) into the exact center of each knockout hole. Make sure all screws are in place before tightening screws.

⚠ CAUTION: MAKE SURE THE HOOD IS SECURE BEFORE RELEASING.

Wiring to Power Supply

⚠ CAUTION: If moving the cooking range is necessary to install the hood, turn off the power in an electric range at the main electrical box. **SHUT OFF THE GAS BEFORE MOVING A GAS RANGE. RISK OF ELECTRICAL SHOCK.**

⚠ THIS RANGE HOOD MUST BE PROPERLY GROUNDED. MAKE SURE THIS IS DONE BY QUALIFIED ELECTRICIAN IN ACCORDANCE WITH ALL APPLICABLE NATIONAL AND LOCAL ELECTRICAL CODES. BEFORE CONNECTING WIRES, SWITCH POWER OFF AT SERVICE PANEL AND LOCK SERVICE PANEL TO PREVENT POWER FROM BEING SWITCHED ON ACCIDENTALLY.

- If hood is operating normally, connect three wires (black, white and green) to house wires and cap with wire connectors.
- Store wires in the wiring box.

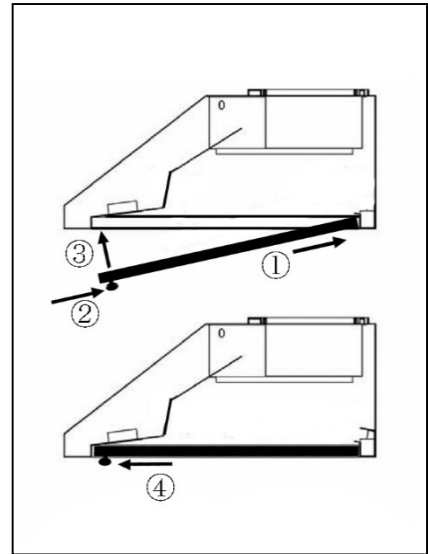
Install Accessories

6. Place baffle filters & spacers underneath the hood. (Figure 2)

Final Installation

7. Turn power ON in control panel. Check all lights and fan operation.
8. Make sure to leave this manual for the homeowner.

Figure 2



WALL MOUNT INSTALLATION

***This installation requires to have Duct Cover Model No. CH1120DC-1

MODEL NO.: CHX3830SQBD-WM-3 (30")
CHX3836SQBD-WM-3 (36")

Preparation before Installation

- Temporarily wire the hood to test for proper operation before installing. If the hood does not operate, check the circuit breaker or house fuse. If the hood is still not working, disconnect power supply and check the continuity of all wire connections.
- Peel protective film off the hood (if any).
- If necessary, prepare back wall frame with cross framing lumber for secure installation. Using references on Table 2 and measurements on page 13-14, decide the level of the lumber. Refer to Figure 3.

Hood Installation

⚠ CAUTION: If moving the cooking range is necessary to install the hood, turn off the power in an electric range at the main electrical box. **SHUT OFF THE GAS BEFORE MOVING A GAS RANGE.** And use a protective covering to protect cooktop and/or countertop from damage.

1. Secure Hood-Mounting Bracket {K} and two Duct Cover Support {L} on top of the hood with eight pre-attached screws. Use four 3/16" x 3/8" screws {J} for Hood-Mounting Bracket {K}. (Figure 4)
2. Using references on Table 2 and measurements on page 13-14, mark the leveling point of the hood. Position two mounting screws (not provided) on the wall, leaving 1/8" away from the wall as shown in Figure 5.
3. Align Hood-Mounting Bracket {K} to the two screws on the wall and hook hood into place. Tighten screws to secure hood to the wall.

⚠ CAUTION: MAKE SURE HOOD IS SECURE BEFORE RELEASING

Figure 3

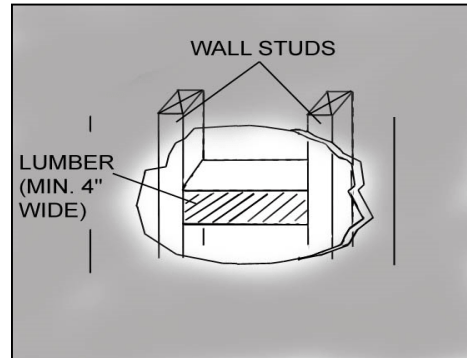
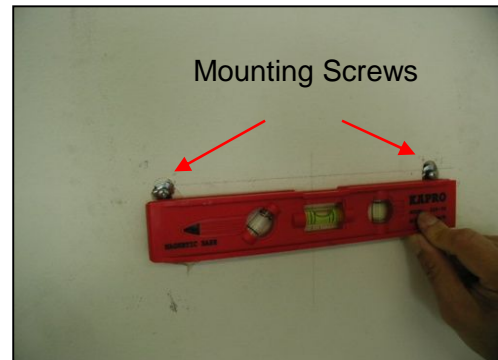


Figure 4



Figure 5



Wiring to Power Supply

⚠ CAUTION: If moving the cooking range is necessary to install the hood, turn off the power in an electric range at the main electrical box. **SHUT OFF THE GAS BEFORE MOVING A GAS RANGE. RISK OF ELECTRICAL SHOCK.**

⚠ THIS RANGE HOOD MUST BE PROPERLY GROUNDED. MAKE SURE THIS IS DONE BY QUALIFIED ELECTRICIAN IN ACCORDANCE WITH ALL APPLICABLE NATIONAL AND LOCAL ELECTRICAL CODES. BEFORE CONNECTING WIRES, SWITCH POWER OFF AT SERVICE PANEL AND LOCK SERVICE PANEL TO PREVENT POWER FROM BEING SWITCHED ON ACCIDENTALLY.

4. If hood is operating normally, connect three wires (black, white and green) to house wires and cap with wire connectors.
5. Store wires in the wiring box.

Duct Cover Installation

6. Mark the position of the Duct Cover-Mounting Bracket {M}. Use reference **E** from Table 2 and measurements on page 13-14. Attach and secure Duct Cover-Mounting Bracket {M} with two screws (not provided). (Figure 6) NOTE: Inner duct cover will cover the duct cover-mounting bracket.
7. Position the entire duct cover up onto the hood.
8. Secure the inner duct cover with two (3/16" x 3/8") screws {J} to the duct cover-mounting bracket. Shown in Figure 7.
9. Fasten outer duct cover to Duct Cover Support {L} with four (4 x 6 mm) screws {J}.

Install Accessories (For Baffle Filter models)

10. Place baffle filters & spacers underneath the hood. (Figure 8)

Final Installation

11. Turn power ON in control panel. Check all lights and fan operation.
Make sure to leave this manual for the homeowner.

Figure 6

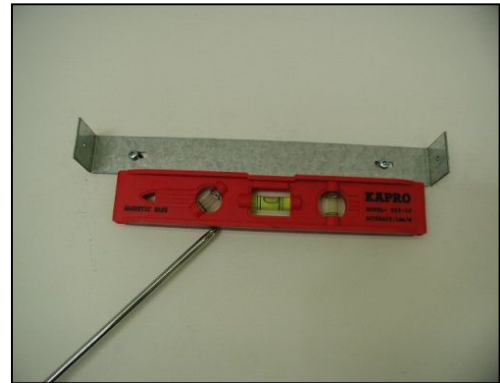
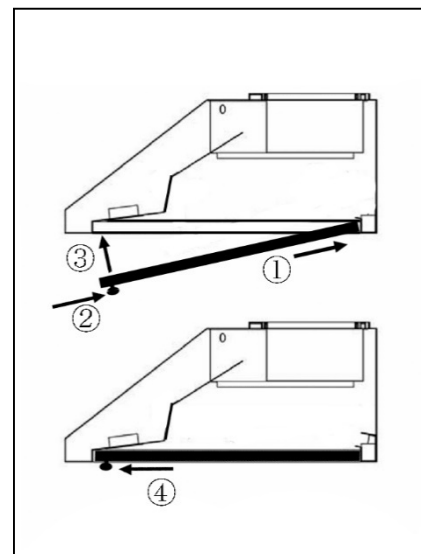


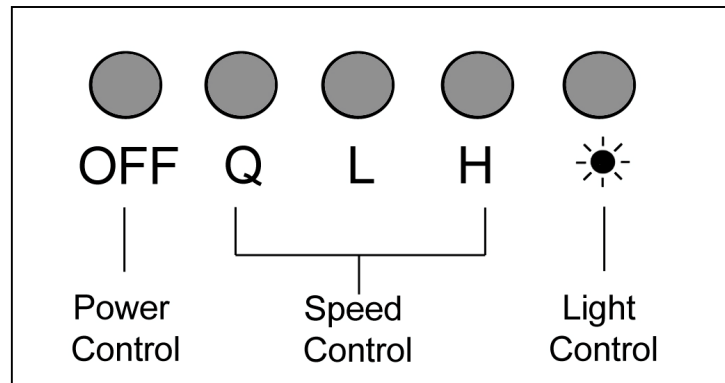
Figure 7



Figure 8



OPERATING INSTRUCTIONS



Note: For best results, turn fan on prior to any preparation or cooking and keep fans running while cooking. Adjust speed as needed.

To operate the fan function

- Press button to choose from speed.
 - Q = QuietMode™ speed
 - L = Low speed
 - H = High speed
- Press “OFF” to turn fan off.

To operate the light function

- Press the Light Control to turn lights on and off.

MAINTENANCE

For optimal performance, clean the range hood surface and baffles regularly.

To Clean Hood Surface

CAUTION: NEVER USE ABRASIVE CLEANERS, PADS, OR CLOTHS.

*** Regular care will help preserve its fine appearance.

1. Use only mild soap or detergent solutions. Dry surfaces using soft cloth.
2. If hood looks splotchy (stainless steel hood), use a stainless steel cleaner to clean the surface of the hood. Avoid getting cleaning solution onto or into the control panel. Follow directions of the stainless steel cleaner. **Caution: Do not leave on too long as this may cause damage to hood finish.** Use soft towel to wipe off the cleaning solution, gently rub off any stubborn spots. Use dry soft towel to dry the hood.
3. DO NOT allow deposits to accumulate or remain on the hood.
4. DO NOT use ordinary steel wool or steel brushes. Small bits of steel may adhere to the surface and cause rusting.
5. DO NOT allow salt solutions, disinfectants, bleaches, or cleaning compounds to remain in contact with stainless steel for extended periods. Many of these compounds contain chemicals, which may be harmful. Rinse with water after exposure and wipe dry with a clean lint free cloth.

For Baffle Filter models only: to Clean Baffle Filter/Oil Tunnel

CAUTION: DRAIN OIL FROM BAFFLE FILTERS, SPACERS & OIL TUNNEL REGULARLY TO PREVENT OVERFLOW.

1. Remove all the baffle filters, spacers and oil tunnel.
2. Using a sponge, wash with warm soapy water. Dry completely before returning into place.

CAUTION: SHARP EDGES

(Note: Baffle Filters are top rack dishwasher safe.)

SPECIFICATIONS

MODEL / SIZE	<u>For Under Cabinet Application</u> CHX3830SQBD-3 (30") CHX3836SQBD-3 (36")	<u>For Wall Mount Application</u> CHX3830SQBD-WM-3 (30") CHX3836SQBD-WM-3 (36")	
COLOR	18-Gauge Commercial Grade Stainless Steel		
CONSUMPTION / AMPERE	232W / 2.21A		
NUMBER OF BLOWER	2		
DESIGN	Seamless / Satin Finish		
BLOWER TYPE	Twin Vertical Turbine Impeller		
EXHAUST	Ductless		
CONTROLS	Mechanical Push Button		
LIGHTS	3-watt LED light x 2		
HOOD DIMENSION (W x D x H)	CHX3830SQBD-3 and CHX3830SQBD-WM-3 (29-3/4" x 21-11/16" x 5-7/8") CHX3836SQBD-3 and CHX3836SQBD-WM-3 (35-3/4" x 21-11/16" x 5-7/8")		
OPTIONAL ACCESSORIES (W x D x H)	1) Two-Piece Adjustable Duct Cover (Included in Wall Mount Hood) (CH1120DC-1) 11-13/16" x 10-7/16" x (22" ~ 41") 2) 30" Stainless Steel Back Panel (SSP30) 30" x 1/10" x 32" 3) 36" Stainless Steel Back Panel (SSP36) 36" x 1/10" x 32"		
WEIGHT (lbs)		<u>Net</u>	<u>Gross</u>
	CH3830SQD-2 (30")	37.5	42.0
	CH3836SQD-2 (36")	40.0	46.0
	CH1120DC-1		12.0
SPEED	QuietMode™	Low	High
Air Capacity (cfm)	150	280	400
Sone* (dB)	1.2	3.0	5.0

*One sone is equivalent to the sound of a refrigerator at 40 decibels.

**Specifications subject to change without notice.

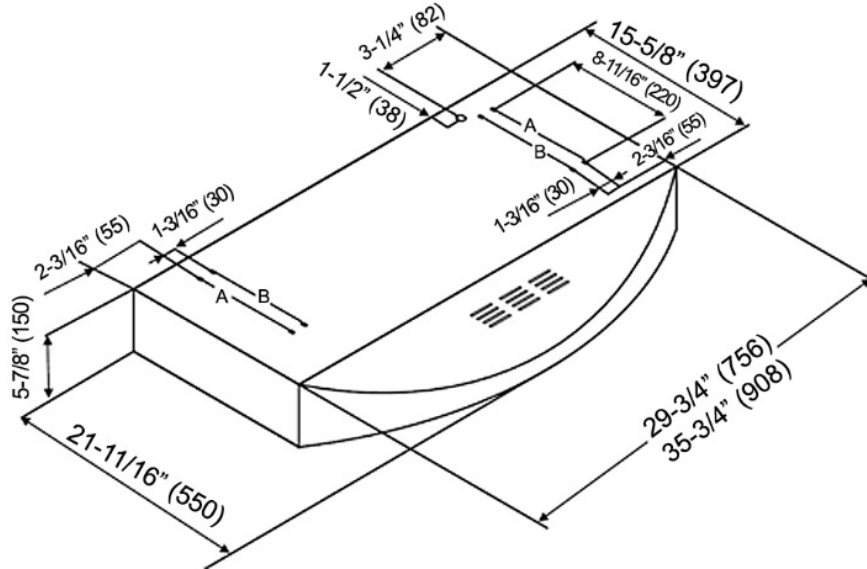
MEASUREMENTS & DIAGRAMS

***All inch measurements are converted from millimeters. Inch measurements are estimated.

***All measurements in () are millimeters.

-FOR UNDER THE CABINET-

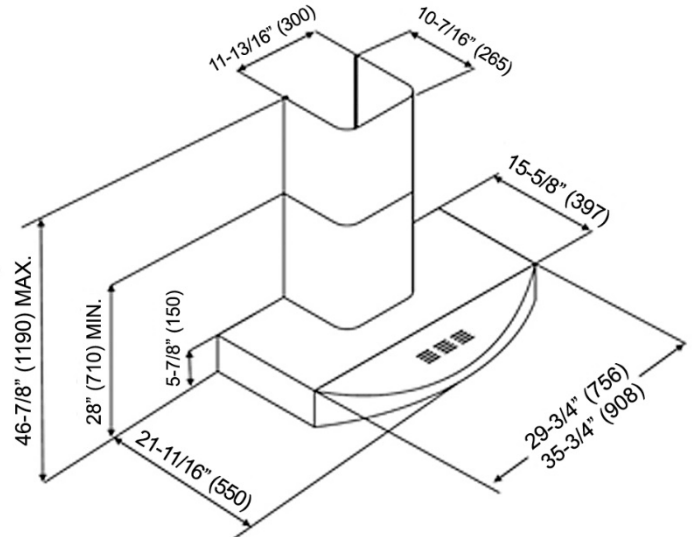
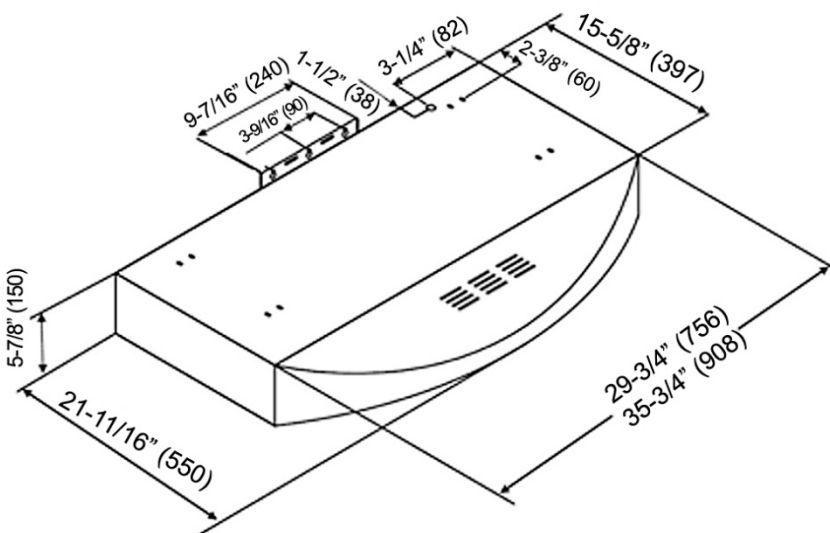
MODEL NO.: CHX3830SQBD-3 (30")
CHX3836SQBD-3 (36")



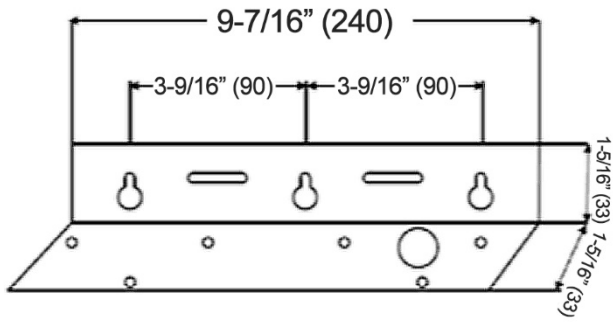
30" = Knockout holes "A"
36" = Knockout Holes "B"

- FOR WALL MOUNT -

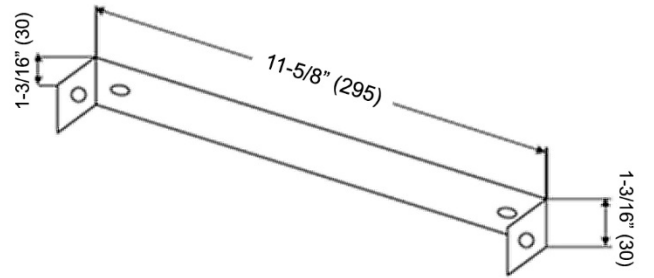
MODEL NO.: CHX3830SQBD-WM-3 (30")
CHX3836SQBD-WM-3 (36")



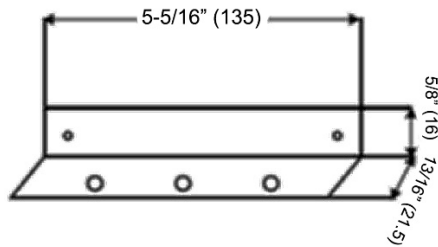
***Hood-Mounting Bracket



***Duct Cover-Mounting Bracket



***Duct Cover Support



PART LIST

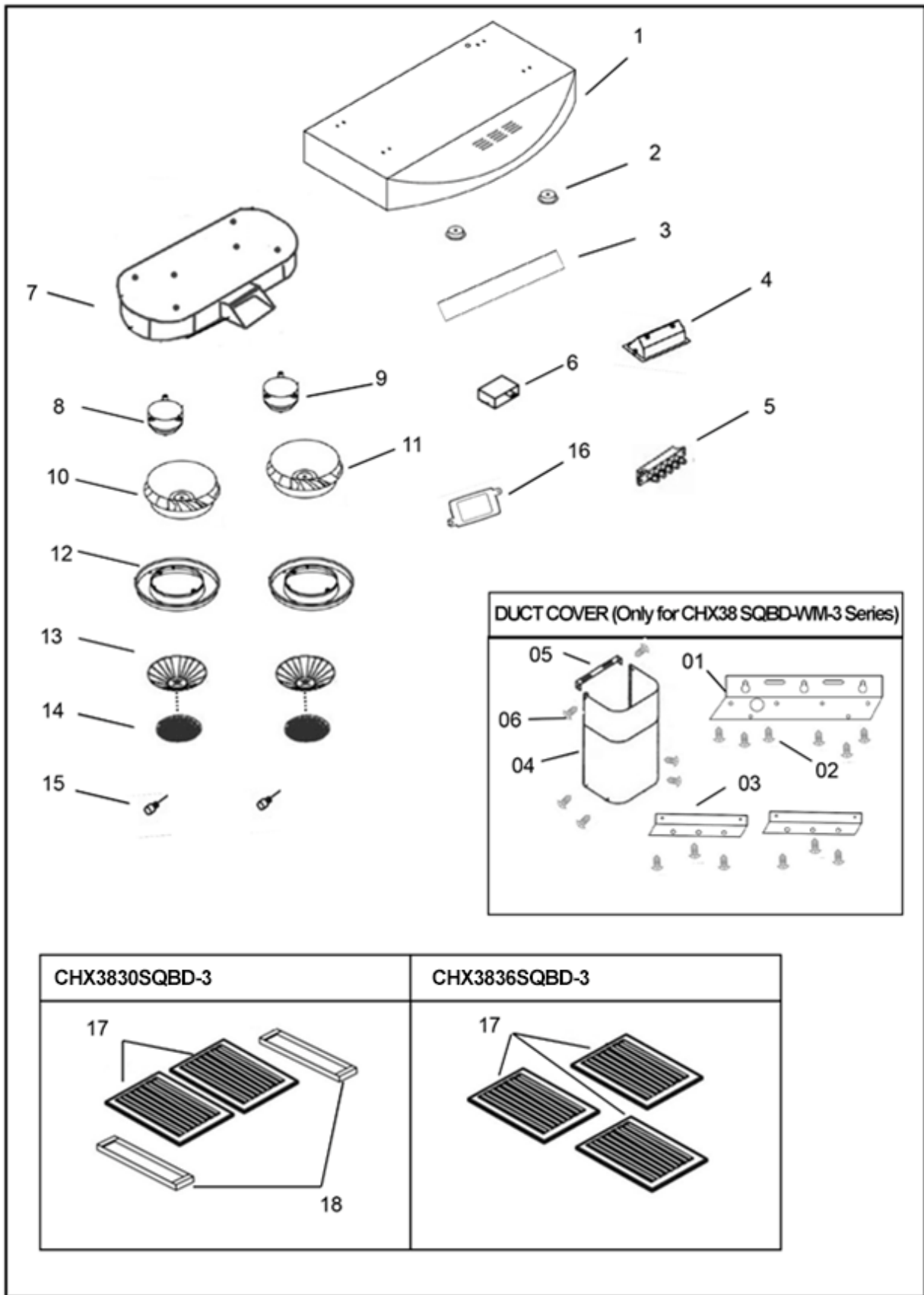
MODEL NO.: CHX3830SQBD-3 and CHX3830SQBD-WM-3 (30")
 CHX3836SQBD-3 and CHX3836SQBD-WM-3 (36")

NO.	DESCRIPTION	MODEL /SIZE	PART NO.
1	Hood Casing	CHX3830SQBD-3	10-03830D
		CHX3836SQBD-3	10-03836D
2	LED Light (3W)		L1-0403-0301
3	Capacitor Support		L1-0201-3830D
4	Control Panel Support		L1-0207-1630
5	Control Switch		L1-0405-0301
6	Capacitor x 1PCS		L1-0401-0120-03
7 A B	Air Chamber		L1-0101-3830
	Air Chamber (Top)		L1-0102-3830
	Air Chamber (Side)		L1-0103-3830
8	Motor (A)		L1-0301-0120-103A
9	Motor (B)		L1-0301-0120-103B
10	Turbine Impeller (A)		L1-0251-0737-A
11	Turbine Impeller (B)		L1-0251-0737-B
12	Plastic Oil Tunnel		L1-0502-0102
13	Safety Screen		L1-0603-0301
14	Charcoal Filter		L1-0603-0302
15	Safety Screen Screws		L1-0705-0001
16	LED Light Driver		L1-0402-D001
17	Baffle Filter		L1-0214-0122
18	Stainless Steel Spacer{2-13/16"(71)x14-3/4"(375)}	CHX3830SQBD-3	B101-2230-15

Duct Cover (Only for CHX38 SQBD-WM-3 Series)

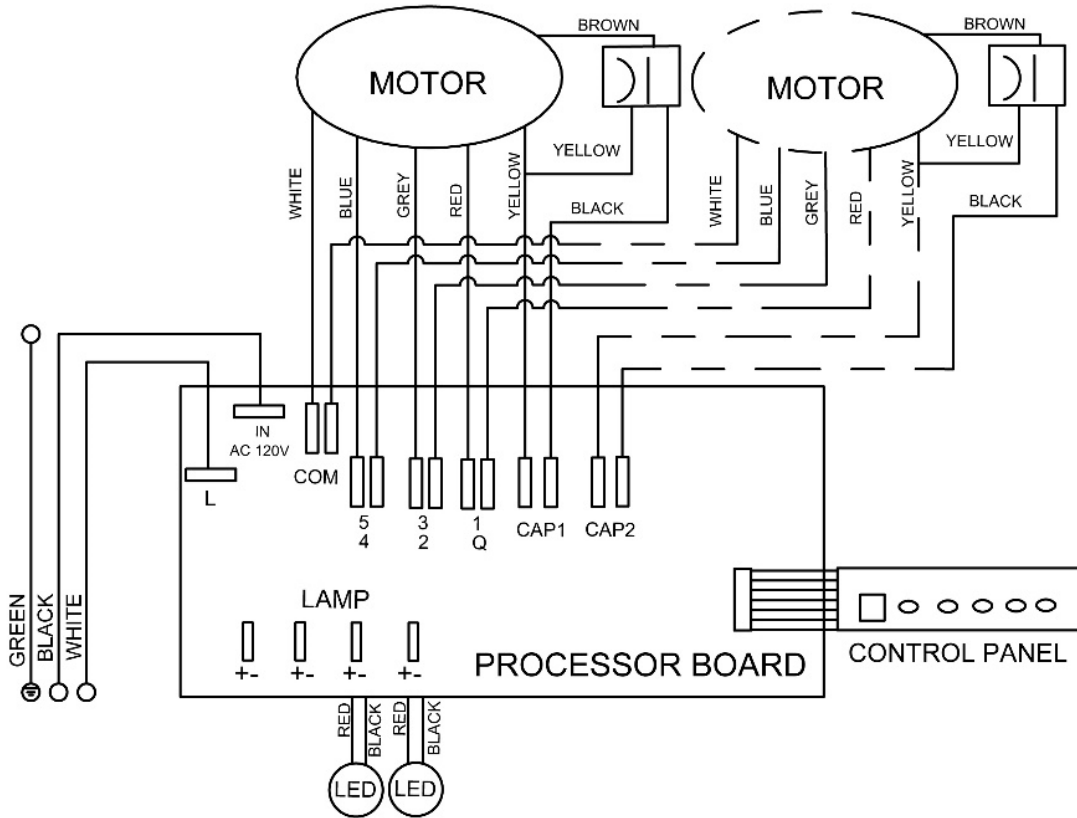
NO.	DESCRIPTION	MODEL /SIZE	PART NO.
01	Hood Mounting Bracket		L1-0221-1630
02	Screws (3/16"x3/8")		L1-0707-0002
03	Duct Cover -Mounting Bracket		L1-0208-1630
04	Duct Cover	CH1120DC-1	12-16300-61
05	Duct Cover Support		L1-0203-0390
06	Screws (TS 4 x 6mm)		L1-0708-0002

MODEL NO.: CHX3830SQBD-WM-3 and CHX3830SQBD-WM-3 (30")
 CHX3836SQBD-WM-3 and CHX3836SQBD-WM-3 (36")



CIRCUIT DIAGRAM

MODEL NO.: CHX3830SQBD-3 and CHX3830SQBD-WM-3 (30")
CHX3836SQBD-3 and CHX3836SQBD-WM-3 (36")



TROUBLE SHOOTING

Issue	Possible Cause	Solution
After Installation, both motors and lights are not working.	The power is not on.	Make sure the circuit breaker and the unit's power is ON. Use a voltage meter to check the power supply.
	The wire connection is not secure.	Check and tighten wire connection.
	The control panel and processor board wiring are disconnected.	Check wire continuity from control panel to processor board.
	The control panel and processor board is defective.	Replace the control panel or processor board.
Lights are working, but motor(s) is not.	The motor(s) is defective.	Replace the motor.
	The capacitor(s) is defective.	Replace capacitor(s).
	The control panel or processor board is defective.	Replace the control panel or processing board.
The range hood is vibrating.	The blower system is not secure.	Tighten the turbine impeller/squirrel cage and air chamber.
	The turbine impeller/squirrel cage is not balanced.	Replace the turbine impeller/squirrel cage.
	Hood is not secured in place.	Check the installation of hood, tighten the mounting bracket.
The motor is working, but the lights are not working.	LED light fixture(s) is defective.	Replace LED light fixture(s)
	The light wiring(s) is loose.	Check wire continuity from processor board to light transformer to LED light fixture(s).
	The control panel or processor board is defective.	Replace the control panel or processing board.
The range hood is not venting out correctly.	The range hood is installed outside of the manufacture recommended clearance.	Adjust the clearance between the range hoods and cook top to 26" to 30". For Island range hood, the clearance between the range hoods and cook top is 30" to 36".
	There is no make-up air inside the house.	Open the window to enhance the performance of the range hood by creating a sufficient make-up air.
	Obstacle blocking the pipe work.	Remove all obstacles from the duct work.
	The pipe size is smaller than the suggested pipe size.	Change the ducting according to the manufacture suggestion.
Cold air is coming into the home.	The pipe connection is not properly sealed.	Check the pipe installation.
	The damper is not properly installed or is missing from the installation.	Check the damper installation.
	The damper is not installed.	Installing the damper will help eliminate air backflow.

WARRANTY

WARRANTY CERTIFICATE

KOBE Range Hoods (referred to herein as “we” or “us”) warrants to the original purchaser (referred to herein as “you” or “your”) all products manufactured or supplied by us to be free from defect in workmanship and materials as follows:

TWO-YEAR LIMITED WARRANTY FOR PARTS AND LABOR ON KOBE PREMIUM SERIES:

For two years from the date of your original invoice from a KOBE authorized dealer, we will, at our sole discretion, choose to repair or replace the product free of charge that failed due to manufacturing defects.

It is your sole responsibility to ensure the product is readily accessible for the service technician to perform repairs. **The service technician will not, under any circumstance, remove, alter or modify any fixture built around and/or connected to the product to gain access to perform repairs.**

During the two-year Limited Warranty period, additional charges may apply which include but are not limited to:

- Service technician travel charges if the requested service location is 30-miles out of KOBE’s authorized service area
- Parts shipping expenses
- Un-installation of defective product and Installation of replacement product

Warranty Exclusions:

This warranty does not cover, including but not limited to the following:

- a. Improper installation.
- b. Any repair, alteration, modification not authorized by KOBE.
- c. Duct alteration, modification and connection.
- d. Incorrect electric current, voltage or wiring.
- e. Normal maintenance and service required for the product.
- f. Consumable parts such as light bulbs and carbon filters.
- g. Improper usage of the product that it is not intended for, such as commercial use, outdoor use and multi-family use.
- h. Normal wear and tear.
- i. Chips, scratches or dents by abuse or misuse of the product.
- j. Damages caused by accident, fire, flood and other Acts of God.
- k. Expenses incurred for service located outside of the designated service area.
- l. Purchases from unauthorized dealers.
- m. Removal fees of defective product and Installation fees associated with replacement product.

If we determine that the warranty exclusions listed above apply or if you fail to provide all necessary documentation for warranty service, you will be responsible for all expenses associated with the requested service, including parts, labor, shipping, travelling and any other expense related to the service request.

To qualify for warranty service, you must:

1. Have the **ORIGINAL** proof of purchase
2. Be the **ORIGINAL** purchaser of the product
3. Have the model number
4. Have the serial number
5. Have a description of the nature of any defect in the product or part

TO REQUEST WARRANTY SERVICE, PLEASE CONTACT THE KOBE RANGE HOODS SERVICE CENTER:

KOBE SERVICE CENTER (USA ONLY)

Toll Free: 1-855-800-KOBE (5623)

E-mail: kobe@adcoservice.com

For service in Canada and to report a problem, please contact:

Tel: 1-626-775-8880

Email: customer.service@koberangehoods.com

WARRANTY INFORMATION FORM

Fill in the blanks and keep this paper with the **original invoice** in a safe place for future service purpose.

1. Date of purchase : _____

2. Model No. : _____

3. Serial No. : _____

For warranty service or spare parts purchase contact:

KOBE Service Center (USA ONLY)

Toll Free: 1-855-800-KOBE (5623)

Email: kobe@adcoservice.com

For service in Canada and to report a problem, please contact:

Tel: 1-626-775-8880

Email: customer.service@koberangehoods.com

Your notes:

KOBE®

KOBE Range Hoods
11775 Clark Street
Arcadia, CA 91006 USA

www.koberangehoods.com

This KOBE hood is made for use in the USA and CANADA only. We do not recommend using this hood overseas as the power supply may not be compatible and may violate the electrical code of that country. **Using a KOBE hood overseas is at your own risk and will void your warranty.**

Cette hotte KOBE est fabriquée pour usage aux États-Unis et au Canada seulement. Il n'est pas recommandé d'utiliser cette hotte à l'étranger puisque l'alimentation électrique pourrait ne pas être compatible et enfreindre le code de l'électricité de ce pays. **L'usage de la hotte KOBE à l'étranger est à votre propre risque et la garantie sera annulée.**

Esta campana de extracción KOBE ha sido fabricada para ser utilizada únicamente en EE.UU. y CANADÁ. No recomendamos la utilización de esta campana en el extranjero debido a que la fuente de energía podría no ser compatible y podría violar el código eléctrico de dicho país. **Utilizar una campana KOBE en el extranjero será a su propio riesgo y anulará la garantía.**

VER.160101

Information subject to change without notice.