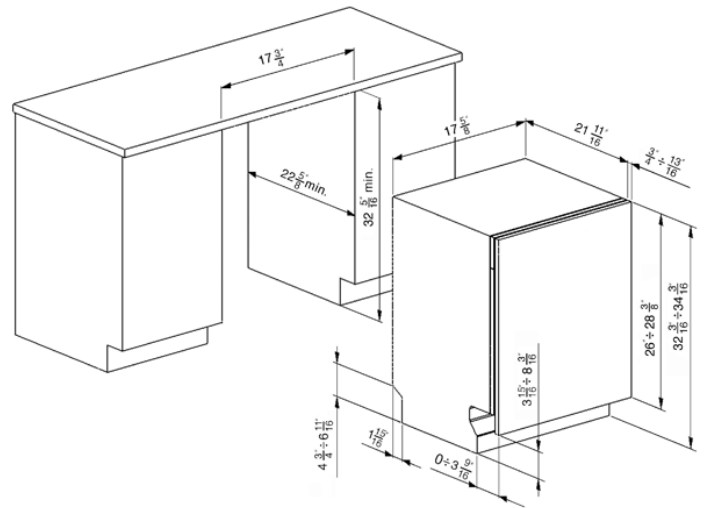


18" Fully integrated Dishwasher
EAN13: 8017709237103



- Hidden electronic control panel, Accepts custom panel
- Self-balancing door
- 5 wash + 5 programmes cycles including Crystal washing, Soak, Crystal, Normal USA, Speed 27 min, ECO Quick, Delicate Quick, Normal Quick, Strong and fast, extreme wash, soak and daily 1/2 load
- Stainless steel tub and filter
- Concealed heating element
- Delay-timer: 3-6-9 hours, with automatic soak
- 5 temperatures: 113°F, 149°F, 158°F
- Salt and rinse aid refill indicators
- **Swing Wash System**
- **Quick time option**
- **Complete Water Leak Protection System**
- **Total "AquaStop" Water Protection System**
- **Turbidity sensor Aquatest**
- 10 place settings
- Gray baskets
- Wire Handle grip (lower basket)
- Upper Basket: With central fixed racks
- Height adjustment of the upper basket: On three levels
- Largest loadable dish in upper basket: 23,5 cm
- Lower Basket: With single foldable rack
- Lower basket with anti-drip inserts
- Largest loadable dish in lower basket: 30 cm
- Noise level: 46dB (A)
- Energy Star-rated
- Height leveling legs
- Voltage rating: 120V - 60Hz
- Nominal power: 13Amps - 1800W
- Water usage: normal/short cycle: 3.17/ 2.38 gal
- **ADA Height compliant**

Functions



Options

- KIT45XU - Fingerprint-proof stainless steel door panel with "Classic" style handle