



STU1846

18" Fully integrated Dishwasher

EAN13: 8017709237103

Hidden electronic control panel, Accepts custom panel

Self-balancing door

5 wash + 5 programmes cycles including Crystal washing, Soak, Crystal, Normal USA, Speed 27 min, ECO Quick, Delicate Quick, Normal Quick, Strong and fast, extreme wash, soak and daily 1/2 load

Stainless steel tub and filter

Concealed heating element

Delay-timer: 3-6-9 hours, with automatic soak

5 temperatures: 113°F, 149°F, 158°F

Salt and rinse aid refill indicators

Swing Wash System

Quick time option

Complete Water Leak Protection System

Total "Aquastop" Water Protection System

Turbidity sensor Aquatest

10 place settings

Gray baskets

Wire Handle grip (lower basket)

Upper Basket: With central fixed racks

Height adjustment of the upper basket: On three levels

Largest loadable dish in upper basket: 23,5 cm

Lower Basket: With single foldable rack

Lower basket with anti-drip inserts

Largest loadable dish in lower basket: 30 cm

Noise level: 46dB (A)

Energy Star-rated

Height leveling legs

Voltage rating: 120V - 60Hz

Nominal power: 13Amps - 1800W

Water usage: normal/short cycle: 3.17/ 2.38 gal

ADA Height compliant



Functions



Options

- **KIT45XU** - Fingerprint-proof stainless steel door panel with "Classic" style handle

SMEG U.S.A. INC.
A&D BUILDING
150 EAST 58th STREET, 7th FLOOR
NEW YORK, NY, 10155
Tel. +1 212 265 5378
Fax +1 212 265 5945



STU1846

built-in
18'''

Swing Wash System



Energy Star and ISO14001 Certified:

The Smeg production process is carefully managed in order to keep the impact upon the environment as low as possible. The process is checked and certified by Independent International bodies IQNET and CISQ (Smeg complies with the standard ISO14001). All Smeg dishwashers are ENERGY STAR qualified. Energy efficiency is important to Smeg and our technicians are constantly working to keep the energy, and water, consumption of each dishwasher as low as possible. ENERGY STAR certified products use less water than conventional dishwashers, and approximately 40% less energy than the federal minimum standard for energy consumption. By choosing an ENERGY STAR certified product you are helping to preserve the environment without compromising on product quality or performance.

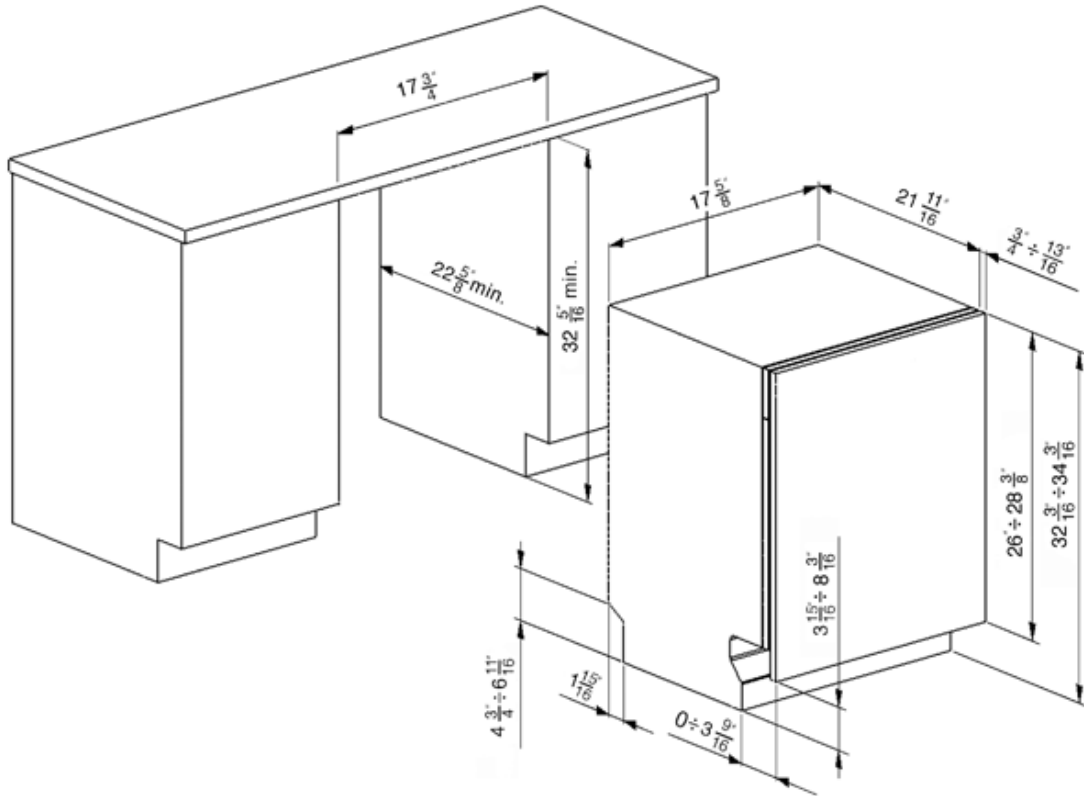


**SMEG U.S.A. INC.
A&D BUILDING
150 EAST 58th STREET, 7th FLOOR
NEW YORK, NY, 10155
Tel. +1 212 265 5378
Fax +1 212 265 5945**



STU1846

built-in
18"
Swing Wash System



SMEG U.S.A. INC.
A&D BUILDING
150 EAST 58th STREET, 7th FLOOR
NEW YORK, NY, 10155
Tel. +1 212 265 5378
Fax +1 212 265 5945