
Instruction Manual

EN

Guide de l'utilisateur

FR



**PROWD30X
MASWD30X**

Safety Information	3
Safety Instructions	5
Precautions during use	6
Appliance Description	7
Main Components	7
How the crockery warmer works.....	7
Use	8
Before using for the first time.....	8
Control Panel.....	8
Using the crockery warmer	8
Selecting function	8
Heating times.....	9
Load capacity	9
Cleaning and Maintenance	10
Appliance front and control panel	10
Interior of the warming drawer	10
What should I do if the warming drawer doesn't work?	11
Installation instructions	12
Before installation	12
Installation	12
Electrical Connection	12
Installation	24

Dear Customer,


Before going any further, we want to thank you for preferring our product. We are sure that this modern, functional and practical warming drawer, manufactured with top quality materials, will fully meet your expectations.

We ask you to read the instructions in this booklet very carefully as this will allow you to get the best results from using your warming drawer.

KEEP THE DOCUMENTATION OF THIS PRODUCT FOR FUTURE REFERENCE.

Always keep the instruction manual handy. If you lend the warming drawer to someone else give them the manual as well!

Safety Information

 Carefully read the instructions before installing and using the equipment. The manufacturer is not liable for improper installation and use of the equipment that may cause injuries and damage. Always keep the instructions at hand, so they can be easily referred to during use.

IMPORTANT SAFEGUARDS

When using electrical appliances, basic safety precautions should always be followed including the following:

1. Read all instructions.
 2. Do not touch hot surfaces. Use handles or knobs.
 3. To protect against electrical shock do not immerse cord or plugs in water or other liquid.
 4. Close supervision is necessary when any appliance is used by or near children.
 5. Unplug from outlet when not in use and before cleaning. Allow to cool before putting on or taking off parts.
 6. Do not operate any appliance with a damaged cord or plug or after the appliance malfunctions or has been damaged in any manner. Return appliance to the nearest authorized service facility for examination, repair, or adjustment.
 7. The use of accessory attachments not recommended by the appliance manufacturer may cause injuries.
 8. Do not use outdoors .
 9. Do not let cord hang over edge of table, or touch hot surfaces.
 10. Do not place on or near a hot gas or electric burner, or in a heated oven.
 11. Extreme caution must be used when moving an appliance containing hot oil or other hot liquids.
 12. Always attach plug to appliance first, then plug cord into the wall outlet. To disconnect, turn any control to "OFF", then remove plug from wall outlet.
 13. Do not use appliance for other than intended use.
 14. Save these instructions.
- This Warming Drawer is for household use.

Safety of children and vulnerable adults

- ⚠ **WARNING!** Risk of choking, injury or permanent disability.
- This appliance can be used by children aged 8 years and above and persons with reduced physical, sensory or mental capabilities or lack of experience and knowledge if they are given supervision or instructions concerning how to use the appliance in a safe way and understand the hazards involved.
- Children should not play with the appliance.
- Keep packaging materials away from children. **Risk of suffocation!**
- Keep children away from the appliance during operation or when cooling.
- Cleaning and maintenance should not be done by children without supervision.

Warnings on general safety

- During installation, follow the instructions supplied separately.
- Only qualified personnel can install the appliance and replace the cable.
- ⚠ **WARNING:** The appliance and its accessible parts become hot during use. Care should be taken to avoid touching heating elements. Children less than 8 years of age shall be kept away unless continuously supervised.
- During use the appliance becomes hot. Care should be taken to avoid touching heating elements inside the oven.
- ⚠ **WARNING:** Accessible parts may become hot during use. Young children should be kept away.
- Do not use steam cleaners to clean the appliance.
- Do not use abrasive detergents or metal scrapers to clean the appliance.
- The electric connection is made via an omnipolar switch, which is suitable for the intensity to be tolerated and which has a minimum gap of 3mm between its contacts, which will ensure disconnection in case of emergency or when cleaning the crockery warmer. If a plug is used for the electric connection, then it must be accessible after installation.
- The connection should include correct earthing, in compliance with current norms.
- Disconnect the appliance from the power supply before carrying out any maintenance operation.

Safety Instructions

WARNING!

Before connecting the appliance compare the power data (voltage and frequency) indicated on the characteristics plate with those of the power supply in question. If these data do not match there may be problems. In case of doubt, contact an electrician.

WARNING!

If the electrical wire plug is removed, the appliance must be installed and connected by a technician. Contact a qualified electrician who knows and respects current safety standards. The manufacturer cannot be held responsible for damage resulting from fitting or connecting errors.

WARNING!

The electrical safety of the appliance can only be guaranteed if it is earthed. The manufacturer cannot be held responsible for damage resulting from the absence of or defects in the installation's protection system (e.g. electrical shock).

WARNING!

Only use the appliance once it has been fitted into its built-in position. Only in this manner can it be guaranteed that users cannot access the electrical components.

WARNING!

Never open up the appliance's frame. Possible contacts with electrical conducting parts or changes to electrical or mechanical components

may represent a danger to users' safety and prejudice the correct working of the appliance.

WARNING!

Repairs and maintenance, especially of parts carrying electrical current, must only be done by technicians authorised by the manufacturer. The manufacturer and retailers do not accept responsibility for any damaged caused to people, animals or property as a result of repairs and maintenance carried out by non-authorised personnel.

WARNING!

Repairs undertaken during the guarantee period must only be done by technicians authorised by the manufacturer. If this is not the case then any damage resulting from the repair in question is excluded from the guarantee

WARNING!

The appliance must be disconnected from the electrical current when installation and repair work is being done. To disconnect the appliance from the current, one of the following conditions must apply:

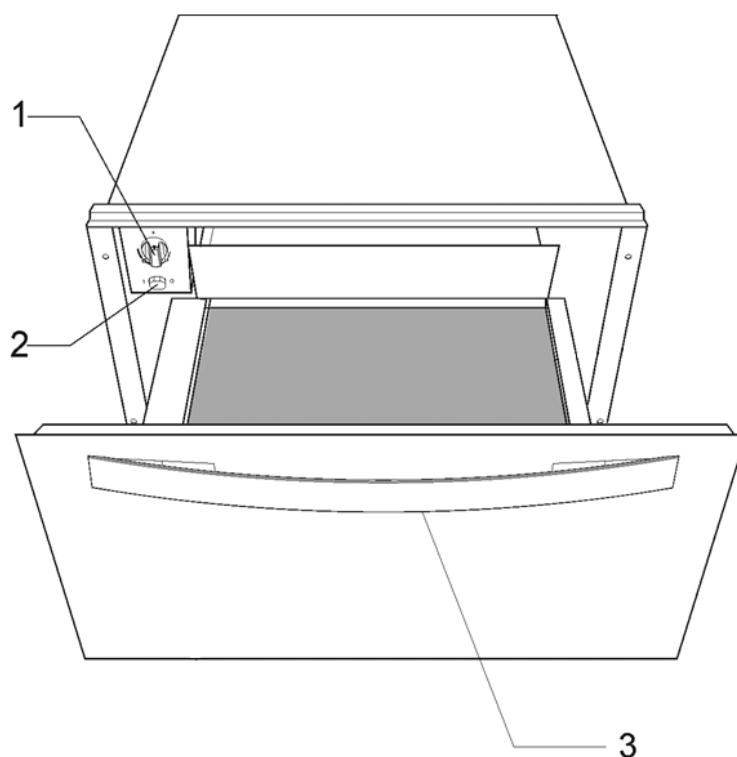
- The switchboard fuses / circuit breakers must be disconnected.
- The plug should be removed from the socket. To remove the plug from the socket do not pull on the electric cable but rather pull out the plug itself directly.

Precautions during use

- This appliance complies with current safety standards. Improper use of the appliance may put the user at risk.
- Read the operating instructions carefully before using the appliance for the first time. In this way you will avoid the risk of injuring yourself or damaging the appliance.
- Depending on the temperature selected and the operating time, the temperature inside the appliance may reach 170°F. To take crockery out of the crockery warmer protect your hands by using oven gloves or an oven cloth.
- Do not sit or hang on the drawer. The telescopic runners will be damaged. The maximum load capacity of the drawer is 50lb.
- Do not store synthetic containers or easily inflammable objects inside the crockery warmer. When you switch on the appliance such containers and objects may melt or catch fire. **Fire danger!**
- Do not use the appliance to heat up the air temperature in the kitchen. The high temperatures reached may cause easily inflammable objects close to the appliance to catch fire.
- Do not use high pressure or steam jet cleaning devices. The steam may affect electrical components and cause a short circuit. The steam pressure may also cause damage to the appliance's surface and components in the long term.
- When you stop using the appliance at the end of its working life, disconnect it from the power supply and render the electrical cable unusable so that the appliance is not a danger if, for example, children use it for playing.

Appliance Description

Main Components



1. On/Off switch (lights up)

2. Function selector

3. Handle

How the crockery warmer works

This appliance is equipped with a warm air circulation system. A fan distributes the heat generated by an electrical heating element throughout the interior of the appliance.

The thermostat allows the user to define and control the temperature wanted for the crockery.

The circulating hot air that is generated heats up the crockery quickly and evenly.

A metal grille protects both the heating element and the fan.

The base of the drawer is fitted with a non-slip mat to prevent plates and dishes sliding around when the drawer is opened and closed.

Before using for the first time

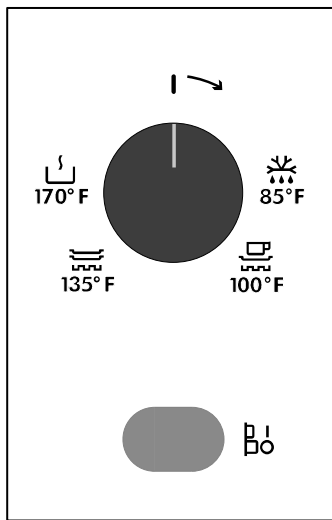
Before using the appliance for the first time you should clean the interior and the exterior, following the cleaning instructions given in the section "Cleaning and Maintenance".

Then heat the warming drawer for at least 2 hours. For this, set the temperature to the maximum position.

Make sure the kitchen is well-ventilated when you are doing this.

The appliance's parts are protected by a special product. For this reason, during the first heating an odour will be released. Both the odour and any smoke that may form will disappear after a short time and neither signifies that there is anything wrong with the connection or the appliance.

Control Panel



The control panel has a function and the on/off switch. The control panel is only visible when the drawer is open.

Using the crockery warmer

To use the crockery warmer, proceed as follows:

- Put the crockery in the drawer.
- Select the function you want by turning the thermostat control to the desired position.
- Switch on the appliance by pressing the switch, which will light up.
- Close the drawer.

Be careful not to use too much force when closing the drawer since it may open up again.

Before taking out the warm crockery you must switch off the crockery warmer by pressing the switch again.





Selecting function

By turning the thermostat control you can select temperatures between 85°F and 170 °F.

Do not force the thermostat control to the left of the "I" position (0 position) or to the right of the maximum position since this may damage the appliance.

As soon as the temperature selected is reached, the heating is turned off. When the temperature drops to a value below that selected, the heating is turned back on.

The temperature scale is not marked with absolute temperatures in °C but instead has symbols which correspond to the optimum temperatures for groups of crockery:

Symbol	°F	Function
	85	Defrosting
	100	Proving dough Cups / glasses warming
	135	Crockery warming
	170	Food warming


Use

Heating times

Various factors affect heating times:

- Material and thickness of the crockery
- Load quantity
- How the crockery is arranged
- Temperature setting

It is therefore not possible to give any precise heating times.

However, as a guide, the following times are given for the thermostat setting  and for uniform heating of the crockery:

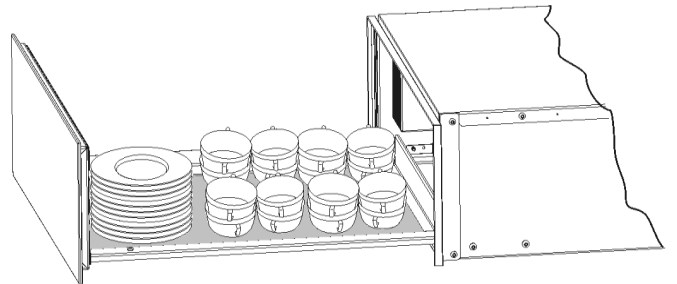
Load	Time (min)
Crockery for 10 people	40 – 45

As you use the crockery warmer more and more you will learn the best settings for your crockery.

Load capacity

Load capacity depends on the size of the crockery items.

Warming Drawer
10 persons servings
10 Dinner Plates
10 Soup Bowls
2 Serving Dishes
2 Meat Plates
or
35 Dinner Plates
or
140 espresso coffee cups
or
70 tea cups
or
...



Cleaning is the only maintenance action that is required normally.

Warning! Cleaning must be done with the warming drawer disconnected from the electrical power supply. Remove the plug from the power socket or disconnect the warming drawer power supply circuit.

Do not use aggressive or abrasive cleaning products, abrasive sponges or pointed objects since stains or abrasion marks may appear.

Do not use high pressure or steam jet cleaning appliances.

Appliance front and control panel

The warming drawer can be cleaned using just a damp cloth. If it is very dirty, add a few drops of washing-up liquid to the washing water.

Wipe the surfaces dry using a dry cloth.

For stainless steel fronted warming drawers, special products for treatment of stainless steel surfaces can be used. These products prevent the surfaces becoming dirty again for some time. Apply a thin layer of such a product on the surface using a soft cloth.

On aluminium fronted warming drawers use a gentle glass cleaning product and a soft cloth that does not release fluff. Wipe horizontally without pressing on the surface since aluminium is sensitive to scratches and cuts.

Interior of the warming drawer

Clean the inside of the warming drawer regularly using a damp cloth. If it is very dirty add a few drops of washing-up liquid to the washing water.

Wipe the surfaces dry using a dry cloth.

Avoid water entering through the air circulation opening.

Only use the warming drawer again when it is completely dry.

What should I do if the warming drawer doesn't work?

WARNING! Any type of repair must only be done by a specialised technician. Any repair done by a person not authorised by the manufacturer is dangerous.

Before contacting Technical Assistance, check on the following:

- **The crockery doesn't heat up enough.**
Check whether:
 - The appliance has been switched on.
 - The appropriate temperature has been selected.
 - The air circulation orifices are covered by the crockery.
 - The crockery was left to heat up for sufficient time.

Heating time depends on several factors, such as, for example:

- Crockery material type and thickness.
- Quantity of crockery.
- How the crockery is arranged.

- **The crockery doesn't heat up at all.** Check whether:
 - You can hear the noise of a fan.
If the fan is operating then the heating element is broken; if the fan is not operating then the fan is broken.
 - The switchboard fuses / circuit breakers have fused / tripped out.
- **The crockery is heating up too much.**
 - The temperature selector is broken.
- **The on/off switch does not light up.**
 - The switch's pilot light has blown.

Technical characteristics

Specifications

- AC Voltage (see characteristics plate)
- Power required 550 W
- Current required 5 A
- Exterior dimensions (W×H×D)..... 29 7/8 × 10 1/8 × 22 1/4
- Weight 88 lbs

Installation instructions

Before installation

Check that the input voltage indicated on the characteristics plate is the same as the voltage of the power outlet you are going to use.

Open the drawer and **take out all the accessories** and remove the packing material.

Attention! The front surface of the warming drawer may be wrapped in a **protective film**. Before using the warming drawer for the first time, remove this film carefully.

Make sure that the warming drawer is not damaged in any way. Check that the drawer opens and closes correctly. If you find any damage, contact the Technical Assistance Service.

Attention: the power socket should be easily accessible after the warming drawer has been installed.

The warming drawer should only be built-in in combination with those appliances indicated by the manufacturer. **If it is fitted in combination with other appliances, the guarantee is no longer valid since it is impossible to guarantee that the warming drawer will work correctly.**

Installation

To build-in the warming drawer in combination with another appliance there must be a fixed, interim shelf in the housing unit to support the weight of both appliances.

The appliance to be combined with the warming drawer will be placed directly on the latter without any need to have a separating shelf.

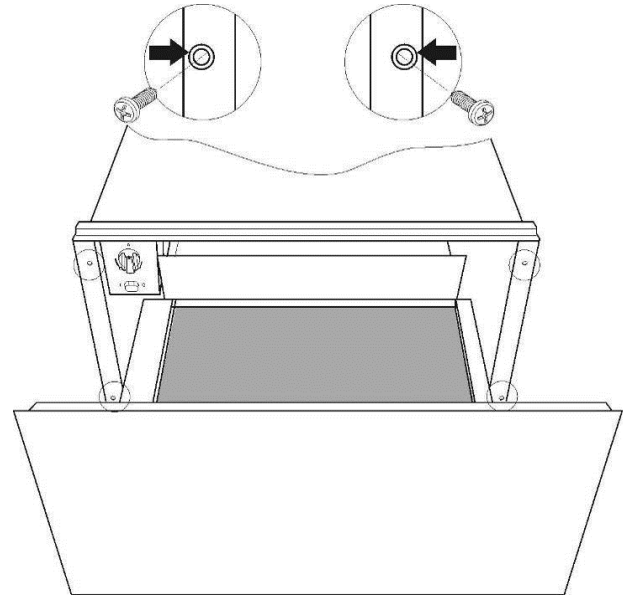
To build-in the appliance which is combined with the warming drawer, follow the instructions set out in the respective instructions and fitting booklet.

The relevant installation dimensions are indicated in mm **in the diagrams shown at the end of this booklet.** Proceed as follows:

1. Place the warming drawer on the shelf and slide it towards the interior of the niche in

such a way that it is centred and completely lined up with the front of the unit.

2. Check that the warming drawer's frame is properly levelled and is sitting evenly on the shelf.
3. Open the drawer and fix the warming drawer to the sides of the unit using the two screws provided.



Electrical Connection

This appliance is equipped with a 6,5 ft (2.0m) long power cord with a three-prong grounding plug ready for connection to a 120 V, 15 A, 60 Hz power supply.

Further installation details are on the wiring diagram.

The data necessary for the electrical connection are **described on the warming drawer's characteristics plate** and these must be compatible with those of the power outlet you are going to use.

WARNING: THE WARMING DRAWER MUST BE CONNECTED TO EARTH.

The manufacturer and retailers do not accept responsibility for any damage that may be caused to people, animals or property if these installation instructions are not observed.

Sommaire

Consignes de sécurité	14
Instructions de sécurité	16
Précautions pendant l'utilisation	17
Description de l'appareil	18
Composants principaux	18
Principe de fonctionnement	18
Utilisation	19
Avant la première utilisation.....	19
Tableau de commandes	19
Principe d'utilisation	19
Sélectionner la température.....	19
Temps de chauffage.....	20
Capacité de charge	20
Nettoyage et entretien	21
Partie avant de l'appareil et tableau de commandes	21
Intérieur du chauffe-vaisselle.....	21
Que faire en cas de mauvais fonctionnement?	22
Instructions d'installation	23
Installation	24

Cher client,

Nous vous remercions votre préférence.

Nous sommes certains que ce moderne chauffe vaisselle, fonctionnel et pratique, fabriqué avec des matériaux de première qualité, vous donnera toute satisfaction.

Nous vous demandons de bien vouloir faire une lecture attentive des instructions de ce manuel. Elles vous permettront d'utiliser votre chauffe vaisselle en obtenant les meilleurs résultats.

CONSERVEZ TOUTE LA DOCUMENTATION DE CE PRODUIT POUR LA CONSULTER ULTÉRIEUREMENT.

Gardez toujours le manuel d'instructions à portée de main. Si vous cédez l'appareil à un tiers, remettez-lui également le manuel.

Consignes de sécurité



Avant d'installer et d'utiliser cet appareil, lisez soigneusement les instructions fournies. Le fabricant ne peut être tenu pour responsable des dommages et blessures liés à une mauvaise installation ou utilisation. Conservez toujours cette notice avec votre appareil pour vous y référer ultérieurement.

MESURES DE SÉCURITÉ IMPORTANTES

Lorsque vous utilisez des appareils électriques, des précautions de sécurité de base doivent toujours être observées, y compris ce qui suit:

1. Lire toutes les instructions.
2. Ne pas toucher aux surfaces chaudes. Utiliser les poignées ou les boutons.
3. Pour protéger contre les chocs électriques, ne pas immerger le cordon ou la fiche dans l'eau ou tout autre liquide.
4. Une surveillance rigide est nécessaire lorsque l'appareil est utilisé par ou à proximité d'enfants.
5. Débrancher l'appareil lorsqu'il n'est pas utilisé et avant de le nettoyer. Laisser refroidir avant de mettre ou d'enlever des pièces.
6. Ne pas utiliser l'appareil avec un cordon ou une fiche détériorés, après un mauvais fonctionnement de l'appareil ou si, d'une certaine façon, il a été endommagé. Il faut remettre l'appareil à un centre de service autorisé pour qu'il soit examiné, réparé ou réglé.
7. L'utilisation d'accessoires non recommandés par le fabricant de l'appareil peut causer des blessures.
8. Ne pas utiliser à l'extérieur.
9. Ne pas laisser le cordon pendre de la table, ou toucher des surfaces chaudes.
10. Ne pas placer sur ou près d'un brûleur à gaz ou électrique, ou dans un four chauffé.
11. Une extrême prudence doit être utilisée pour déplacer un appareil contenant de l'huile chaude ou autres liquides chauds.
11. Toujours brancher l'appareil en premier, puis brancher le cordon dans la prise murale. Pour débrancher, éteindre toute commande sur "OFF", puis retirer la fiche de la prise de la sortie portefeuille..
12. Ne pas utiliser l'appareil à d'autres fins que celles prévues.
13. Conserver les instructions..

Ce chauffe-vaisselle est destiné à un usage domestique!

Consignes de sécurité

Sécurité des enfants et des personnes vulnérables

- ⚠ **ADVERTISSEMENT!** Risque d'asphyxie, de blessure ou d'invalidité permanente.
- Cet appareil peut être utilisé par des enfants de plus de 8 ans, ainsi que des personnes dont les capacités physiques, sensorielles et mentales sont réduites ou dont les connaissances et l'expérience sont insuffisantes, à condition d'être surveillés par une personne responsable de leur sécurité.
- Ne laissez pas les enfants jouer avec l'appareil.
- Ne laissez pas les emballages à la portée des enfants. **Risque d'asphyxie!**
- ⚠ **ADVERTISSEMENT!** Tenez les enfants éloignés de l'appareil lorsqu'il est en cours de fonctionnement ou lorsqu'il refroidit. Les parties accessibles sont chaudes.
- Les enfants ne doivent pas nettoyer ni entreprendre une opération de maintenance sur l'appareil sans surveillance.

Sécurité générale

- Pendant l'installation, suivez les instructions fournies séparément.
- Repair and maintenance work, especially of current carrying parts, can only be carried out by technicians authorized by the manufacturer.
- ⚠ **ADVERTISSEMENT!** L'intérieur de l'appareil devient chaud lorsqu'il est en fonctionnement. Ne touchez pas les éléments chauffants se trouvant dans l'appareil. Utilisez toujours des gants de cuisine pour retirer ou enfourner des accessoires ou des plats allant au four.
- La température des surfaces accessibles peut être élevée pendant le fonctionnement de l'appareil.
- N'utilisez pas de nettoyeur vapeur pour nettoyer l'appareil.
- N'utilisez pas de produits abrasifs ni de racloirs pointus en métal pour nettoyer l'appareil.
- Prévoir, pour l'installation électrique, un dispositif permettant de débrancher l'appareil du secteur au niveau de tous les pôles une ouverture des contacts d'au moins 3 mm. Sont considérés comme appropriés des dispositifs de protection tels que par ex. les disjoncteurs, les fusibles (dévisser les fusibles de leur socle), les disjoncteurs différentiels et les contacteurs.
- L'encastrement doit garantir la protection contre tout contact.
- Si le câble d'alimentation est endommagé, il ne doit être remplacé que par un professionnel qualifié afin d'éviter tout danger.
- Avant toute opération de maintenance, déconnectez l'alimentation électrique.

⚠ ATTENTION!

Avant de brancher l'appareil, comparez-en les données (tension et fréquence) indiquées sur la plaque des caractéristiques avec celles de votre réseau électrique. Elles doivent correspondre, pour éviter tout problème. En cas de doute, appelez un électricien.

⚠ ATTENTION!

Si la prise de l'appareil doit être changée, l'installation et le branchement doivent être effectués par un technicien. Adressez-vous à un électricien attitré qui respecte les normes de sécurité. La responsabilité du fabricant n'est pas engagée pour des dommages provenant d'une erreur de montage ou de branchement.

⚠ ATTENTION!

La sécurité électrique de l'appareil n'est assurée que s'il est relié à la terre. La responsabilité du fabricant n'est pas engagée pour des dommages provenant d'un manque ou d'un défaut du système de protection de l'installation (choc électrique par exemple).

⚠ ATTENTION!

Ne mettez l'appareil en marche qu'une fois celui-ci dûment encastré, car c'est la seule façon d'interdire l'accès aux composants électriques.

⚠ ATTENTION!

N'ouvrez jamais la structure de l'appareil. D'éventuels contacts avec les pièces conductrices

ou modifications des composants électriques ou mécaniques peuvent constituer un danger pour la sécurité de l'utilisateur et perturber le bon fonctionnement de l'appareil.

⚠ ATTENTION!

Les réparations et entretiens, tout particulièrement sur les pièces sous tension, ne peuvent être effectués que par des techniciens agréés par le fabricant. **Le fabricant et les revendeurs déclinent toute responsabilité** pour d'éventuels dommages, causés aux personnes, aux animaux ou aux biens, qui découlent de réparations ou entretiens effectués par des personnes non autorisées.

⚠ ATTENTION!

Les réparations au cours de la période de garantie ne doivent être exécutées que par des techniciens agréés par le fabricant. Dans le cas contraire, tout dommage provenant de ces réparations est exclu de la garantie.

⚠ ATTENTION!

L'appareil doit être débranché du réseau électrique quand sont effectués les travaux d'installation et de réparation. Pour que l'appareil soit débranché, vous devez constater l'une des conditions suivantes:

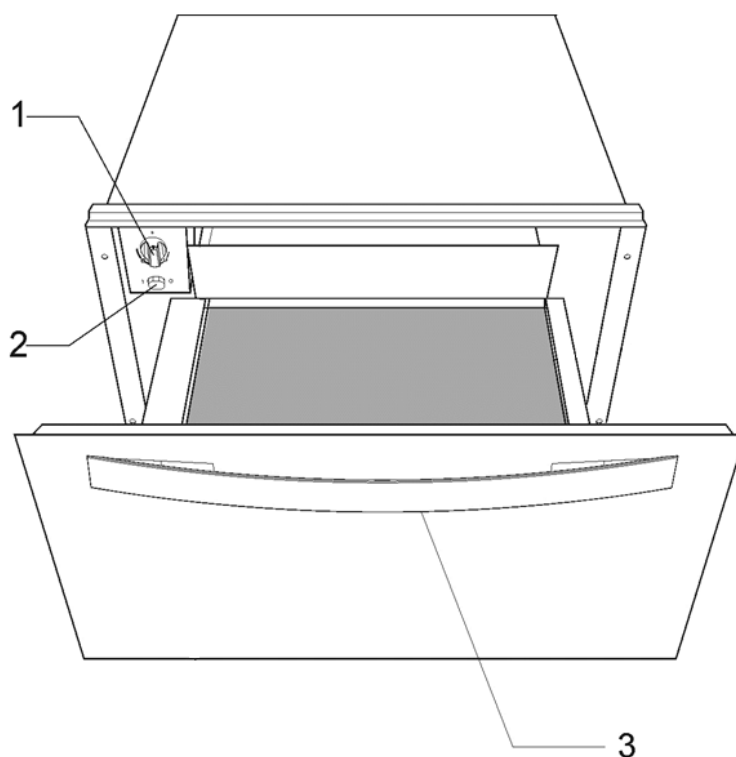
- Les fusibles/disjoncteur du tableau électrique sont débranchés.
- L'appareil est débranché de la prise murale, ce qui doit être fait en tirant sur la prise de l'appareil et non sur le câble électrique.

Précautions pendant l'utilisation

- Votre appareil est aux normes de sécurité en vigueur. Une utilisation inadéquate peut constituer un danger pour l'utilisateur.
- Avant la première utilisation, lisez avec attention les instructions d'utilisation. Vous vous protégez et évitez ainsi tout problème.
- Selon la température et le temps de fonctionnement sélectionnés, la température à l'intérieur de l'appareil peut monter jusqu'à 170°F. Utilisez des gants de cuisine pour vous protéger les mains quand vous retirez la vaisselle de l'intérieur du chauffe-vaisselle.
- Le tiroir peut supporter un poids maximum de 50lb. Prenez garde de ne pas le surcharger, cela endommagerait les rails télescopiques.
- Les récipients et objets synthétiques ou qui prennent facilement feu ne doivent pas être rangés dans le chauffe-vaisselle. Si l'appareil est mis en marche, ils peuvent fondre ou brûler. **Danger d'incendie!**
- N'utilisez pas votre appareil comme chauffage de maison. Les hautes températures peuvent mettre le feu à des objets facilement inflammables situés près de l'appareil.
- N'utilisez pas d'appareils de nettoyage à haute pression ou qui projettent de la vapeur. La vapeur peut atteindre les composants électriques et provoquer un court-circuit. La pression de la vapeur peut aussi endommager durablement la surface de l'appareil et ses composants.
- Quand vous cessez définitivement d'utiliser l'appareil, à la fin de sa vie utile, débranchez-le du réseau et éliminez le câble électrique pour éviter le danger que les enfants s'en servent pour s'amuser

Description de l'appareil

Composants principaux



1. Bouton marche/arrêt (voyant lumineux)

2. Sélecteur de fonction

3. Poignée

Principe de fonctionnement

Votre appareil est équipé d'un système de circulation d'air chaud. Un ventilateur distribue la chaleur, générée par une résistance électrique, dans tout l'intérieur de l'appareil.

Le thermostat permet de définir et de contrôler la température souhaitée pour la vaisselle.

La circulation de l'air chaud fait que la vaisselle est chauffée rapidement et uniformément.

La résistance ainsi que le ventilateur sont protégés par une grille métallique.


La base du tiroir est équipée d'un revêtement antidérapant pour empêcher la vaisselle de glisser quand vous ouvrez ou fermez le tiroir.

Temps de chauffage

Le temps de chauffage dépend de plusieurs facteurs :

- Matériel et épaisseur de la vaisselle
- Quantité de charge
- Disposition de la vaisselle
- Température sélectionnée

Il est dès lors impossible d'indiquer des temps de chauffage rigoureusement exacts.

Les temps ci-dessous sont donnés à titre indicatif pour le thermostat en position  et pour obtenir un chauffage uniforme de la vaisselle :

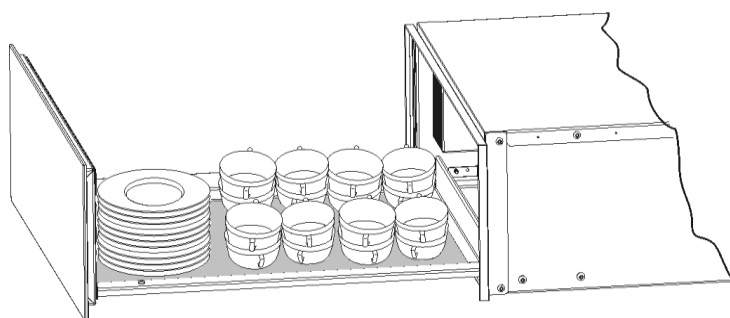
Charge	Temps (mn)
Vaisselle pour 10 personnes	40 – 45

La pratique vous aidera à sélectionner les temps appropriés à votre vaisselle.

Capacité de charge

La capacité de charge dépend des dimensions des articles de vaisselle.

Chauffe-Vaisselle
Service de 6 personnes
10 assiettes
10 bols de soupe
2 plats de service
2 plats de viande
ou
35 assiettes
ou
140 tasses à café
ou
70 tasses à thé
ou
...



Nettoyage et entretien

Le nettoyage est l'unique entretien normalement nécessaire.

Attention ! Le nettoyage doit être effectué quand le chauffe-vaisselle est débranché de l'alimentation électrique. Retirez la prise du mur ou débranchez le circuit d'alimentation du chauffe-vaisselle.

N'utilisez pas de produits de nettoyage agressifs ou abrasifs, ni frottoirs ni objets pointus qui peuvent provoquer des rayures.

N'utilisez pas d'appareils de nettoyage à haute pression ou qui projettent de la vapeur.

Partie avant de l'appareil et tableau de commandes

Il suffit de nettoyer la chauffe-vaisselle avec un chiffon humide. S'il est très sale, ajoutez quelques gouttes de produit vaisselle à l'eau de lavage.

Essuyez ensuite les surfaces avec un chiffon sec.

Les chauffe-vaisselle dont l'avant est en acier inoxydable peuvent être nettoyés avec des produits spéciaux pour ce type de surface. Ces produits évitent que les surfaces ne se resalissent rapidement. Appliquez une fine couche de produit sur toute la surface avec un chiffon doux.

Les chauffe-vaisselle dont l'avant est en aluminium peuvent être nettoyés avec un produit léger pour les vitres et un chiffon doux qui ne laisse pas de fibres. Nettoyez dans le sens horizontal sans appuyer car l'aluminium est un métal mou qui se raye ou se coupe facilement.

Intérieur du chauffe-vaisselle

Nettoyez régulièrement l'intérieur du chauffe-vaisselle avec un chiffon humide. S'il est très sale, ajoutez quelques gouttes de produit vaisselle dans l'eau de lavage.

Nettoyez ensuite les surfaces avec un chiffon sec.

Évitez de faire entrer de l'eau dans les orifices par où circule l'air.

Attendez que votre chauffe-vaisselle soit bien sec avant de le réutiliser.

FR Que faire en cas de mauvais fonctionnement?

ATTENTION ! Seuls des techniciens spécialisés sont à même d'effectuer les réparations, de quelque type que ce soit. Toute réparation effectuée par des personnes non agréées par le fabricant est dangereuse.

Avant d'appeler l'assistance technique, vérifiez les cas suivants :

- **La vaisselle ne chauffe pas suffisamment ?**

Vérifiez les points suivants :

- L'appareil est bien branché et en marche.
- Vous avez sélectionné la température adéquate.
- Les orifices par où circule l'air sont obstrués par de la vaisselle.
- La vaisselle a chauffé pendant un temps suffisant ?

Le temps de chauffage dépend de divers facteurs, en particulier :

- Matière et épaisseur de la vaisselle.

- Quantité de vaisselle.
- Rangement et disposition de la vaisselle.

- **La vaisselle ne chauffe pas ?**

Vérifiez les points suivants :

- Le ventilateur fonctionne (il fait du bruit). C'est peut-être alors la résistance qui est en panne ; si le ventilateur ne fait pas de bruit, c'est lui qui doit être en panne.
- Les plombs ont sauté ou le tableau électrique a disjoncté.

- **La vaisselle est trop chaude ?**

Le sélecteur de température ne marche pas correctement.

- **L'interrupteur marche/arrêt ne s'allume pas ?**

Le pilote de l'interrupteur a fondu.

Caractéristiques techniques

Spécifications

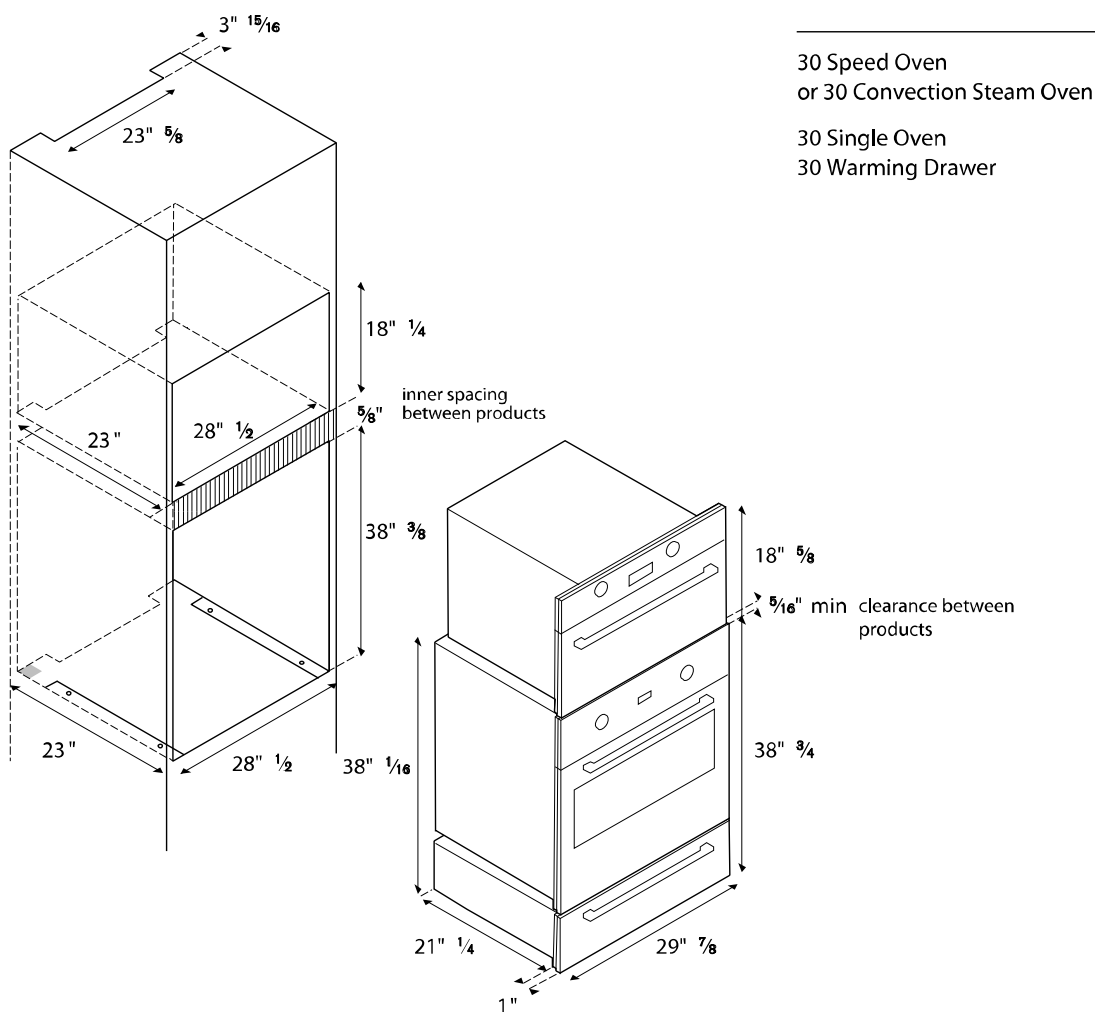
- Tension (voir fiche d'identification)
- Puissance requise 550 W
- Courant requise 5 A
- Dimensions extérieures (lxhxl) 29 7/8 × 10 1/8 × 22 1/4
- Poids 88 lbs

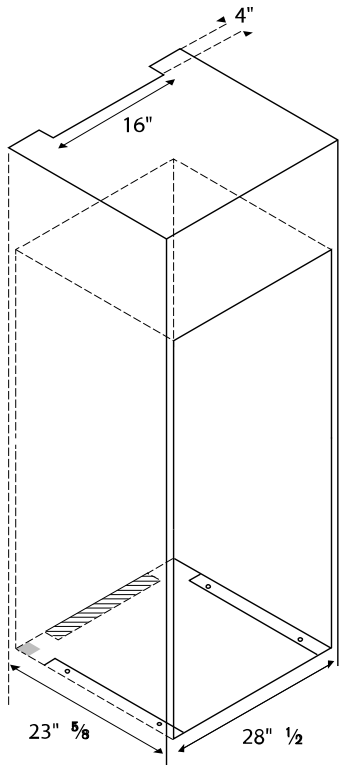
BUILT-IN COMBINATIONS INSTALLATION DRAWINGS

This product is designed in combination with other Bertazzoni products. There are several installation options. Follow the cut-out requirements carefully for perfect installation. In order to avoid overheating of the cabinets bottom and for a perfect alignment with other Bertazzoni products, always install the sliding brackets supplied with the unit. These brackets will also make any after sale service operation easier. The upper oven can be placed directly over the warming drawer. There is no need to use a separation shelf.

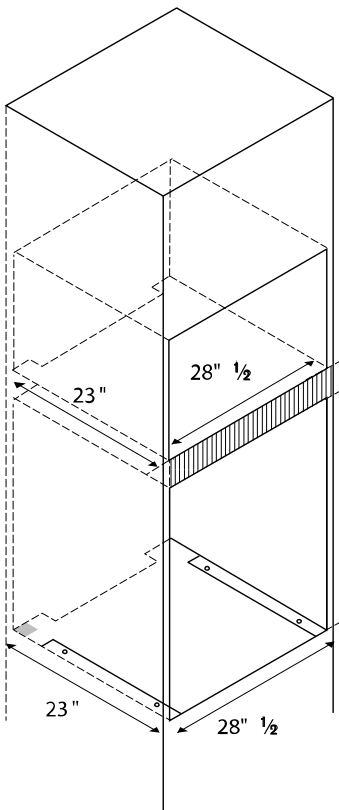
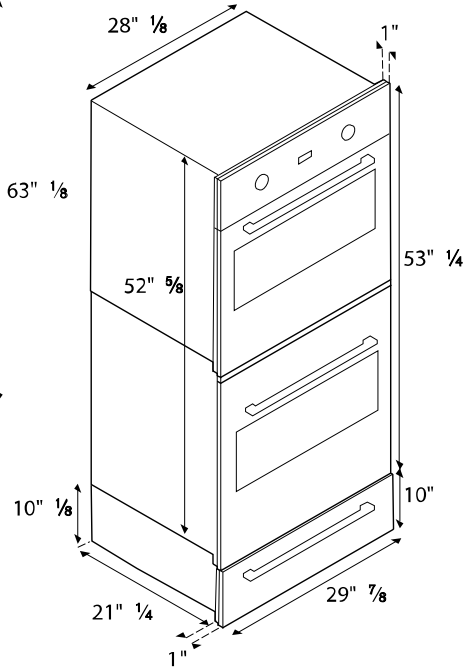
PLANS D'INSTALLATION DES COMBINAISONS D'ENCASTRER

Ce produit est conçu en combinaison avec d'autres produits Bertazzoni. Il y a plusieurs options d'installation. Suivez les mesures exigées soigneusement pour une installation parfaite. Afin d'éviter le surchauffage des armoires du bas et pour un parfait alignement avec d'autres produits Bertazzoni, installer toujours les supports coulissants fournies avec l'appareil. Ces supports seront également utiles afin de rendre toute opération de service après vente plus facile. Le four supérieur peut être placé directement sur le tiroir chauffant. Il n'est pas nécessaire d'utiliser le plateau de séparation.

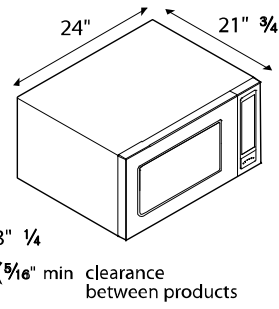
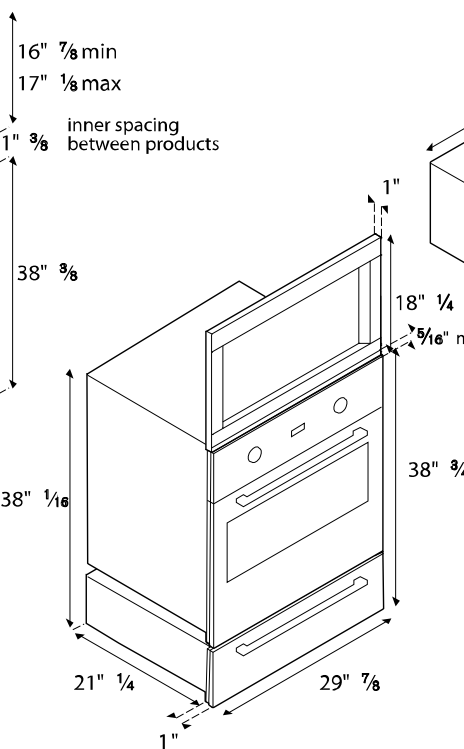


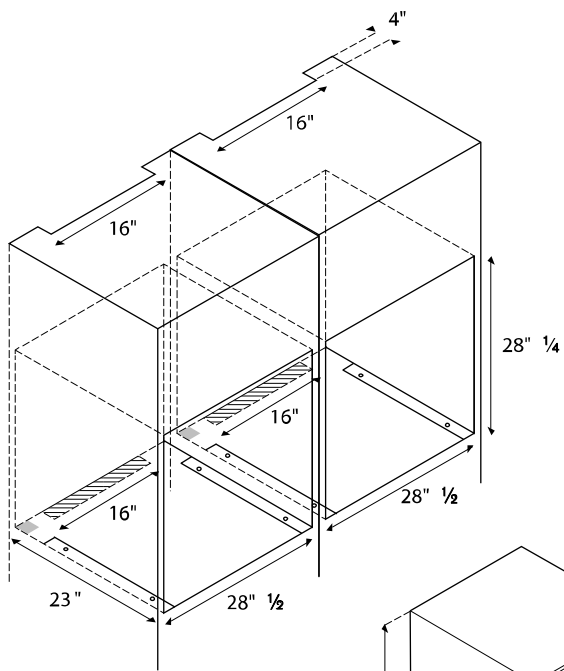


30 Double Oven
30 Warming Drawer



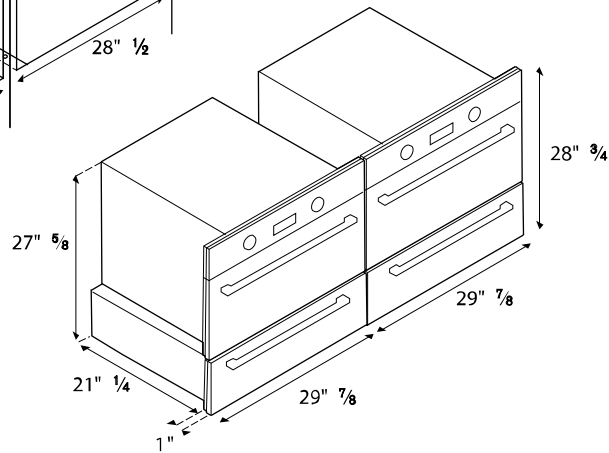
30 Microwave Oven
30 Single Oven
30 Warming Drawer





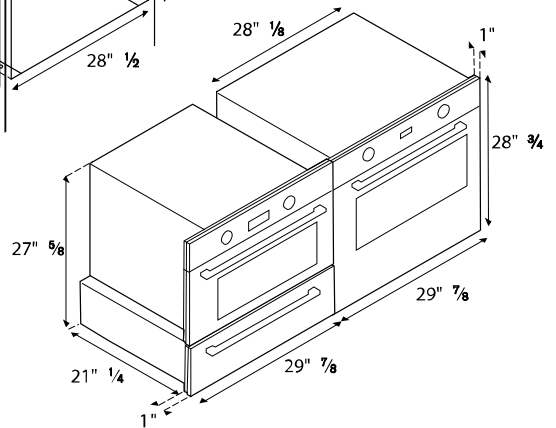
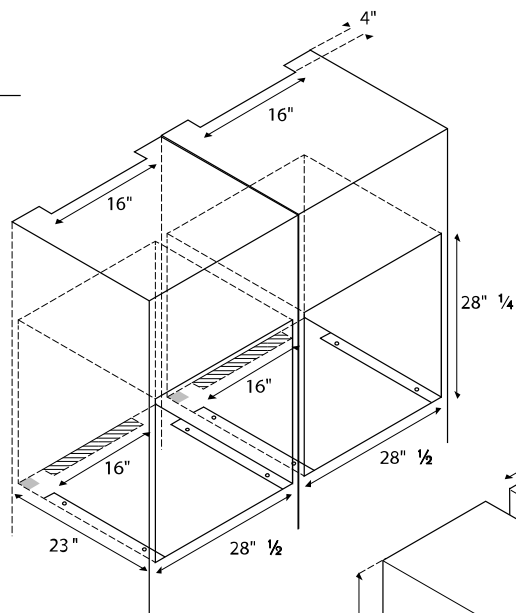
30 Speed Oven
30 Warming Drawer

30 Convection Steam Oven
30 Warming Drawer



30 Speed Oven
30 Warming Drawer

30 Single Oven



BERTAZZONI Distributor List

Distributor	States
ALMO Corporation 2709 COMMERCE WAY PHILADELPHIA, PA 19154	Illinois, Indiana, Kentucky, Michigan, Minnesota, North Dakota, Ohio, South Dakota, West Virginia, Wisconsin
DOOLITTLE DISTRIBUTING INC. 13269 WEST 98TH STREET LENEXA, KANSAS 66215	Arkansas, Illinois, Iowa, Kansas, Missouri, Nebraska, Oklahoma
EASTERN MARKETING CORP. 24 EISENHOWER PARKWAY ROSELAND, NJ 07068	Connecticut, DC, Delaware, Maine, Maryland, Massachusetts, New Hampshire, New Jersey, New York, North Carolina, Pennsylvania, Rhode Island, South Carolina, Vermont, Virginia
ECHELON HOME PRODUCTS INC. 1051 ANDOVER PARK EAST TUKWILA, WA 98188	Alaska, Idaho, Montana, Oregon, Washington, Wyoming
PURCELL & MURRAY 185 PARK LANE BRISBANE, CA 94005	California, Nevada
PINNACLE EXPRESS INC. PO BOX 1836 33838 DUNDEE, FLORIDA	Alabama, Florida, Georgia, Tennessee
MILESTONE DISTRIBUTORS 4531 MCKINNEY AVENUE DALLAS, TEXAS 75205	Arizona, Louisiana, Mississippi, New Mexico, Texas

